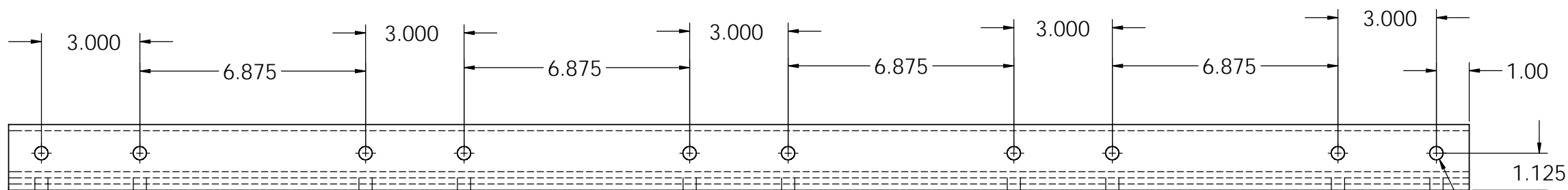
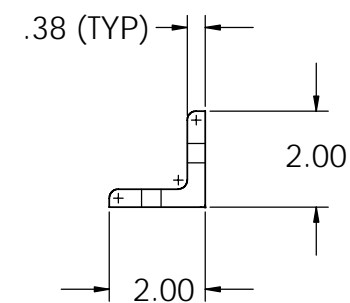
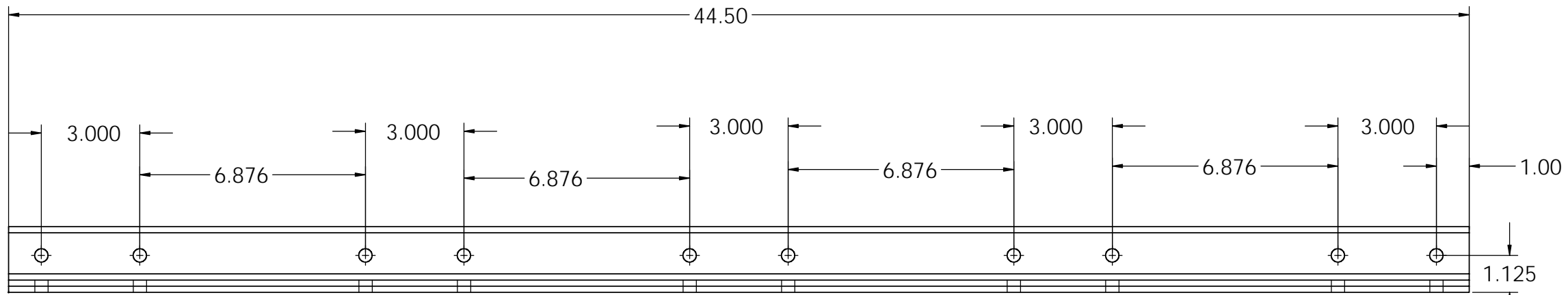


NOTES: (UNLESS OTHERWISE SPECIFIED)

REV	DATE	DCN #	DRAWING TREE #



(20X) Ø .421 THRU

ITEM NO.	REQ. QUANTITY	SPARE	TOT.	PART NUMBER	DESCRIPTION	SUPPLIER
PARTS LIST						
UNLESS OTHERWISE SPECIFIED:		DATE	NAME	CALIFORNIA INSTITUTE OF TECHNOLOGY MASSACHUSETTS INSTITUTE OF TECHNOLOGY		
DIMENSIONS ARE IN INCHES		FRANK MASON	4/6/2005	SYSTEM		
TOLERANCES:		CHECKED		SUB-SYSTEM		
XX ± .02				NEXT ASSY		
XXX ± .005				PART NAME		
ANGULAR ±				UPPER ANGLE		
MATERIAL		COMMENTS		SIZE	DWG. NO.	REV
6061-T6 AL				D	DO50165-00-D	
FINISH				SCALE:		SHEET 1 OF 1
NONE						