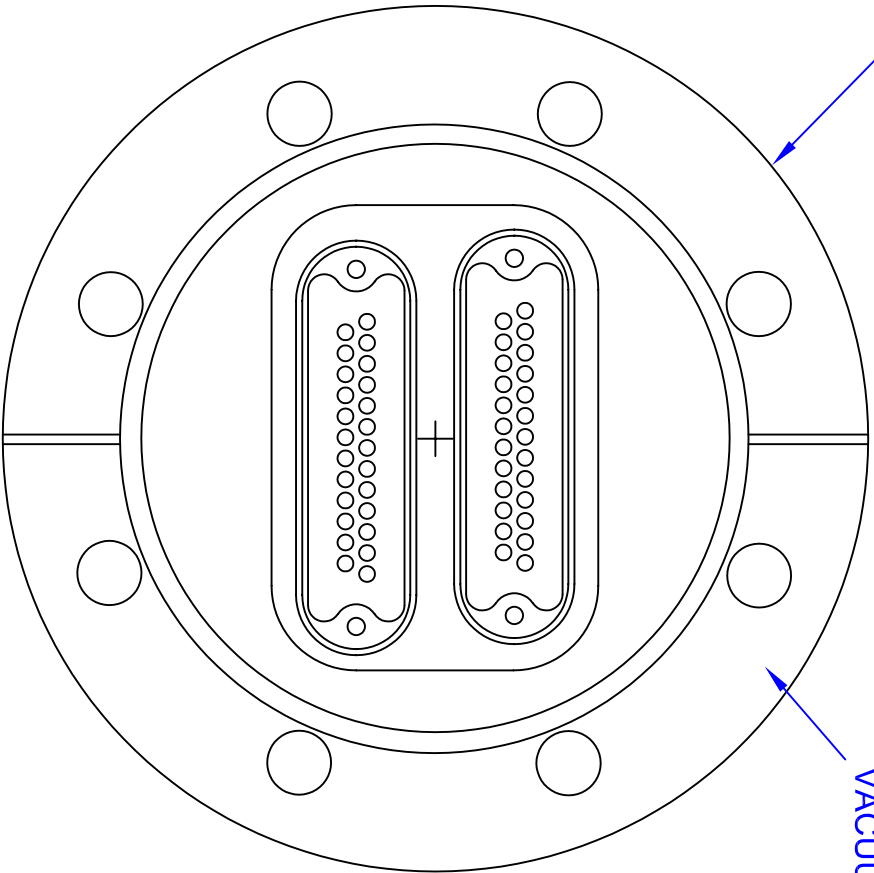


CF 4.5 FLANGE

VACUUM SIDE



REVISIONS			DATE	APPROVED
REV	DESCRIPTION			
A	Initial Release			



Accu-Glass Products Inc.  
 700 Arroyo Ave.  
 San Fernando, CA, 91340  
 TEL: 818-365-4215  
 FAX: 818-365-7074

**Notes**

Material  
 Tolerances unless otherwise specified  
 Decimal .xx = +/- .005  
 .xxx = +/- .002  
 Angular +/- 1°

Title			
25D2-450			
Drawn By	M. Wilson	DWG NO.	100225
Approved			SHEET
			Date
			9-6-06