

**Notes:**

- 1) Antennas located on roof of LVEA, as shown. Antennas are mounted on PVC pipe, which is strapped to conduits which run to roof.
- 2) GPS receivers are of two types:
  - Clock Masters: On board 2<sup>22</sup> clock, phase locked to GPS, for ADC timing
  - Time Masters: Distribute GPS time to GPS slave modules via IRIG-B
- 3) All time readouts in system are GPS time.
- 4) Cable and conduit numbers are preliminary, with many incomplete, pending final rack layouts for the various subsystems which connect to the timing system.

				UNLESS OTHERWISE SPECIFIED DIMENSIONS ARE IN INCHES TOLERANCES: FRACTIONAL ± ANGULAR MATCH ± BEND ± TWO PLACE DECIMAL ± THREE PLACE DECIMAL ± FINISHED SURFACE RMS BREAK CORNERS IN OUT, REMOVE ALL BURRS				CURRENT REVISION APPROVAL				LIGO CALIFORNIA INSTITUTE OF TECHNOLOGY MASSACHUSETTS INSTITUTE OF TECHNOLOGY			
								DRAWN		GROUP		SIGNATURE		DATE	
								CHECKED							
DO NOT SCALE THIS DRAWING															
USED ON:				REV				DESCRIPTION				SHEETS EFFECTED		DATE	
NEXT ASS'Y:				ISSUE DESCRIPTION				DEC				SCALE		SCALE	
REFERENCE DRAWINGS												SCALE		SCALE	
												SIZE DWG. NO. B D980354-00-C		REV. 1	
												SHEET 1 of 4		STD VER. 01	

6

5

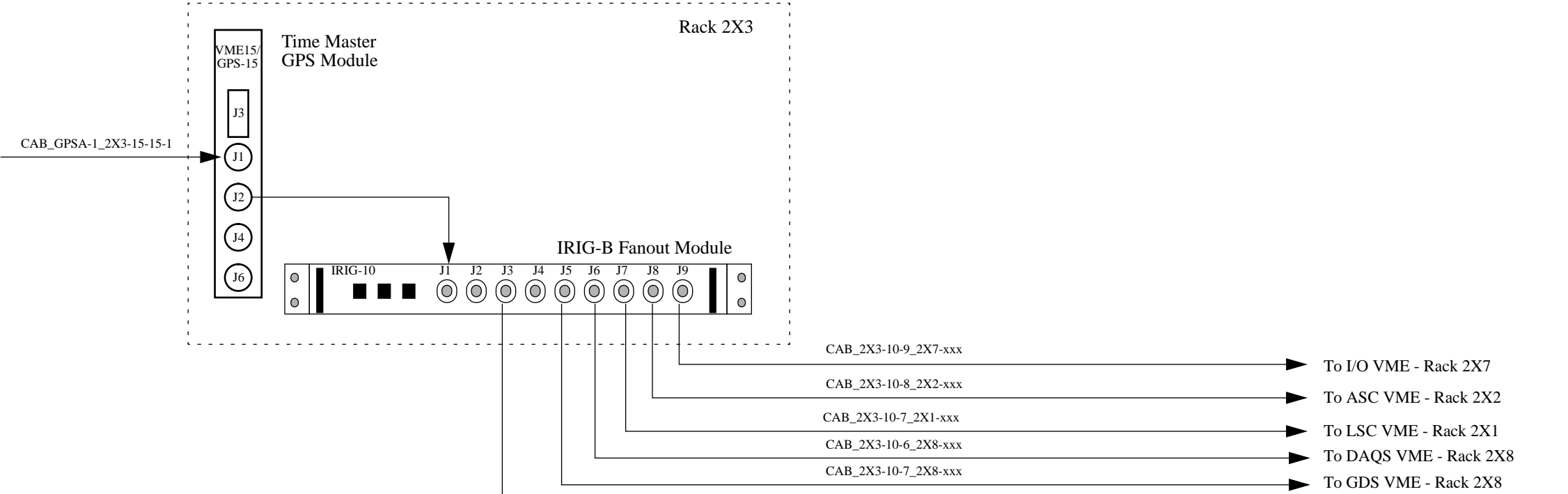
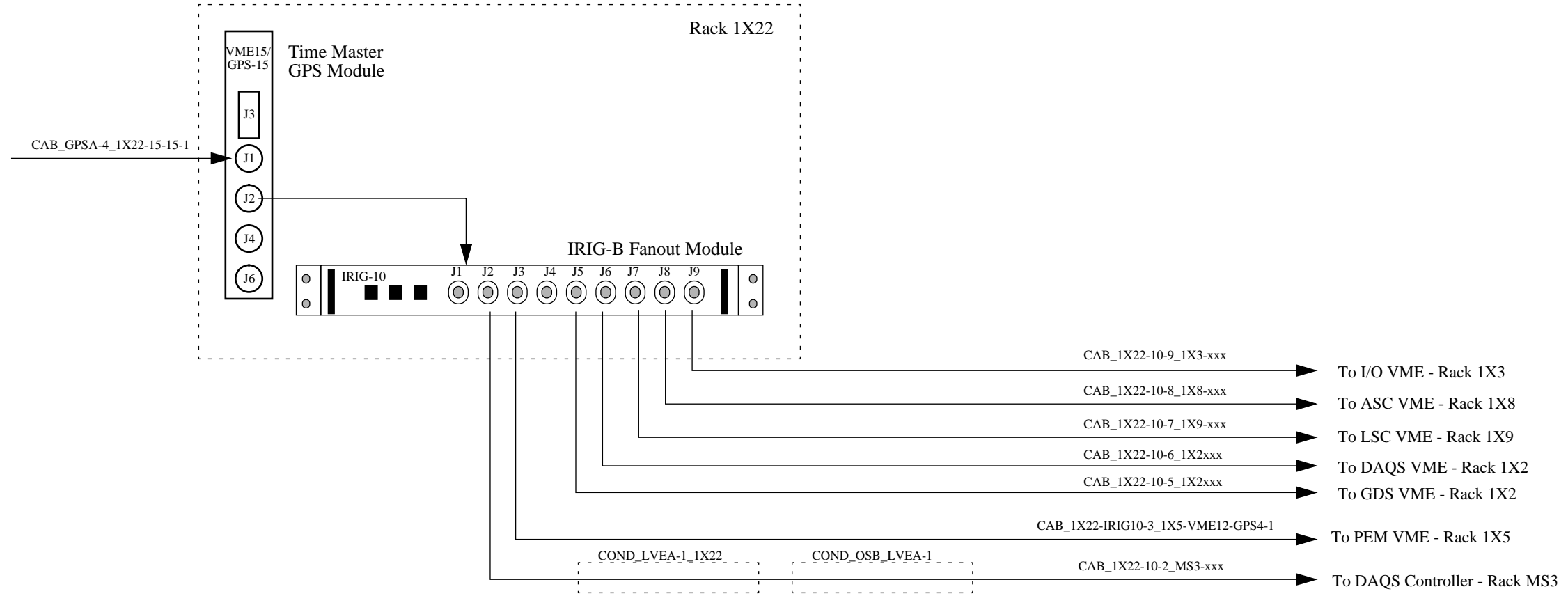
4

3

2

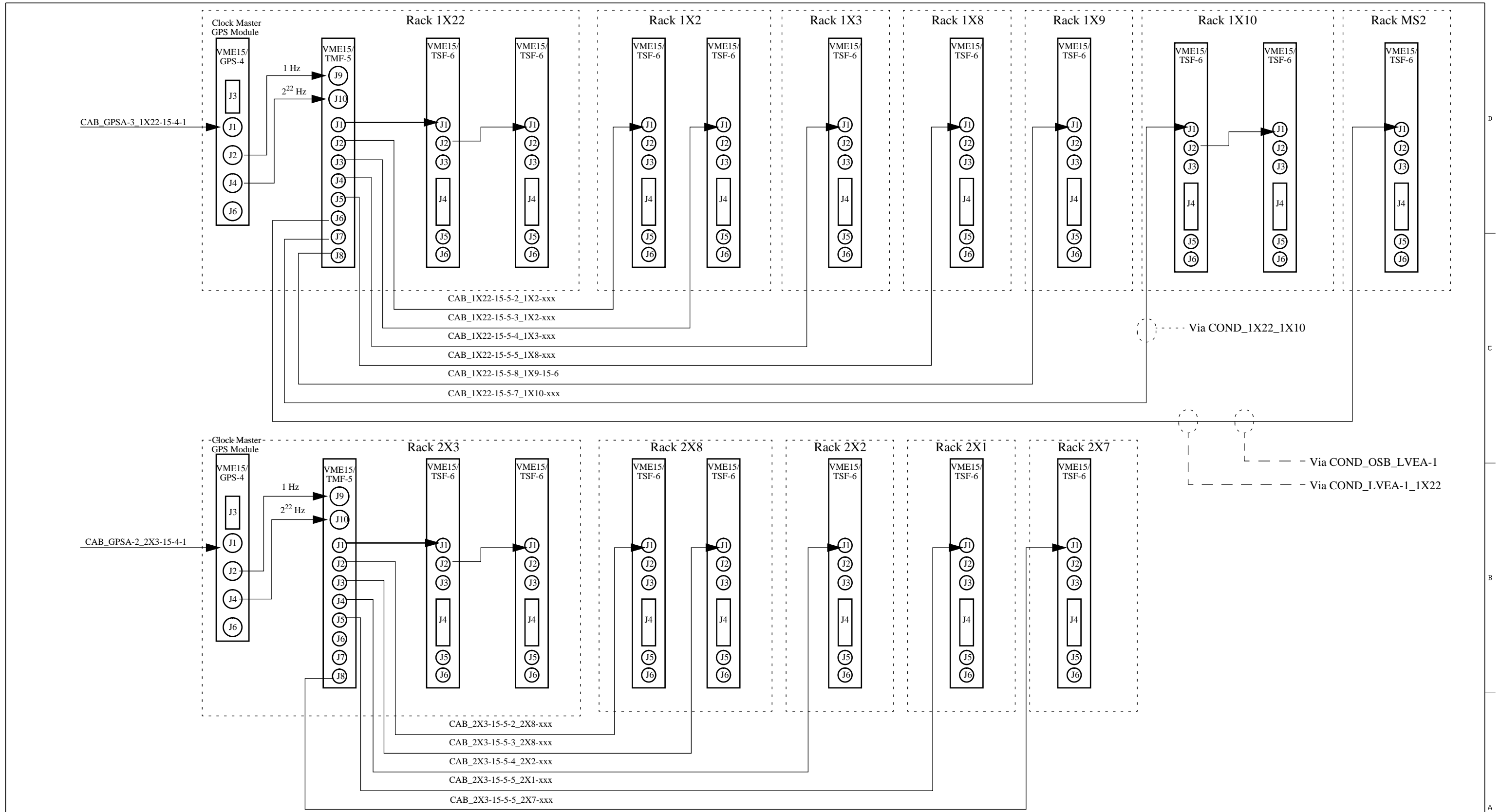
1

D  
C  
B  
A



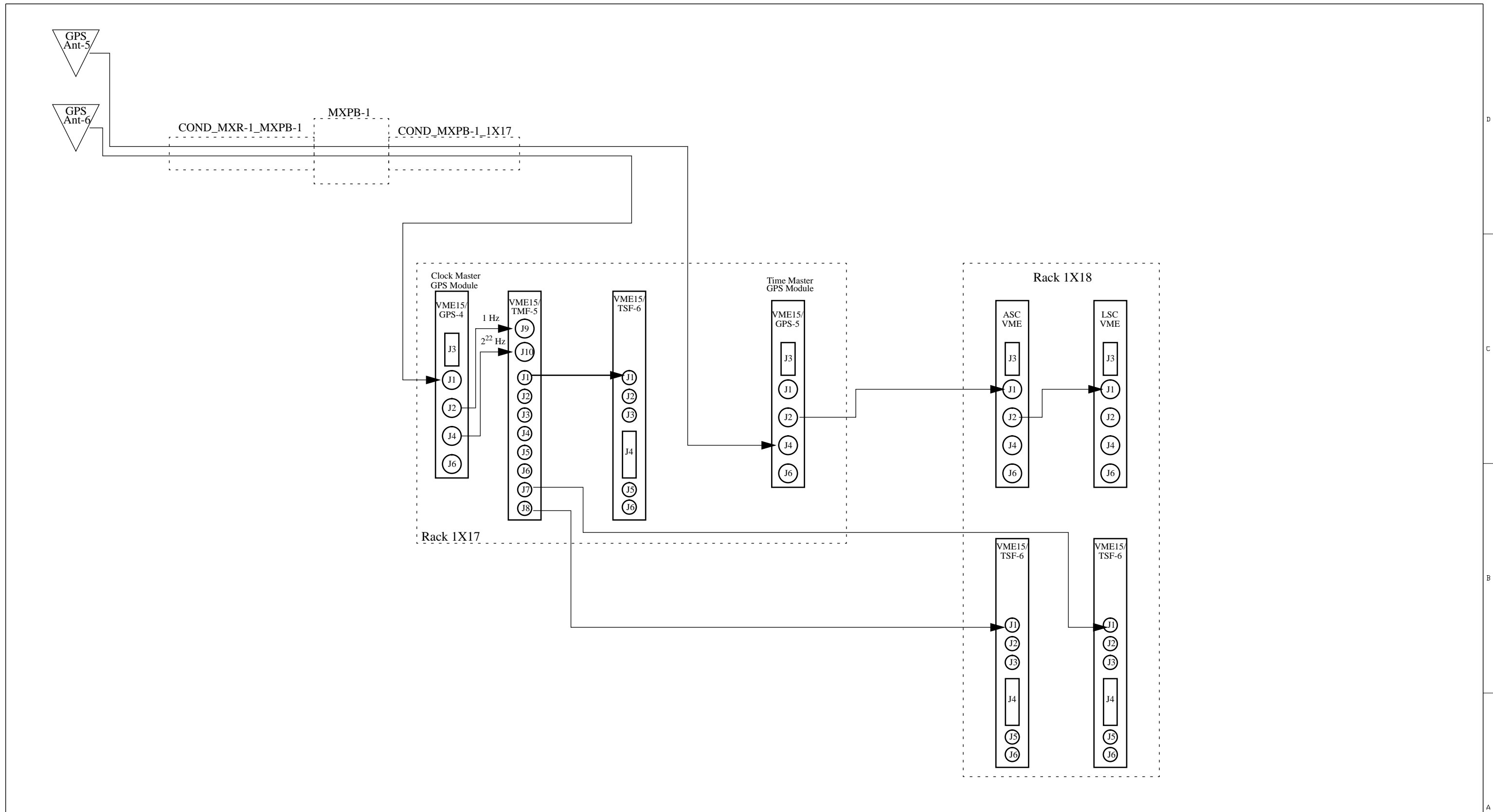
				UNLESS OTHERWISE SPECIFIED DIMENSIONS ARE IN INCHES				CURRENT REVISION APPROVAL		LIGO CALIFORNIA INSTITUTE OF TECHNOLOGY MASSACHUSETTS INSTITUTE OF TECHNOLOGY	
				TOLERANCES: FRACTIONAL ± ANGULAR ± BEND ± TWO PLACE DECIMAL ± THREE PLACE DECIMAL ± FINISHED SURFACE RMS BREAK CORNERS IN REMOVE ALL BURRS				CHECKED		SIGNATURE DATE	
				DO NOT SCALE THIS DRAWING						Hanford Timing System Cable Diagram Corner Station IRIG-B Distribution	
DWG. NO.	DESCRIPTION	DWG. NO.	DESCRIPTION	USED ON:	REV	DESCRIPTION	SHEETS EFFECTED	DATE			SCALE
6	REFERENCE DRAWINGS	5		NEXT ASS'Y:		ISSUE DESCRIPTION					SIZE DWG. NO. B D980354-00-C
											SCALE SHEET 2 of 4 STD
											REV. DATE

D  
C  
B  
A



				UNLESS OTHERWISE SPECIFIED DIMENSIONS ARE IN INCHES TOLERANCES: FRACTIONAL ± ANGULAR RACH ± BEND ± TWO PLACE DECIMAL ± THREE PLACE DECIMAL ± FINISHED SURFACE RMS BREAK CORNERS IN REMOVE ALL BURRS				CURRENT REVISION APPROVAL				LIGO CALIFORNIA INSTITUTE OF TECHNOLOGY MASSACHUSETTS INSTITUTE OF TECHNOLOGY			
				DO NOT SCALE THIS DRAWING				DRAWN				GROUP			
				USED ON:				CHECKED				SIGNATURE			
				NEXT ASS'Y:				DATE				DATE			
REFERENCE DRAWINGS				REV				DESCRIPTION				SHEETS EFFECTED			
6				5				4				3			
DWG. NO.				DESCRIPTION				DWG. NO.				DESCRIPTION			
												SCALE			
												SIZE DWG. NO.			
												B D980354-00-C			
												SHEET 3 of 4			
												STD			
												VER. 01			

A  
B  
C  
D



				UNLESS OTHERWISE SPECIFIED DIMENSIONS ARE IN INCHES TOLERANCES: FRACTIONAL ± ANGULAR RACH ± BEND ± TWO PLACE DECIMAL ± THREE PLACE DECIMAL ± FINISHED SURFACE RMS BREAK CORNERS ON OUT. REMOVE ALL BURRS		CURRENT REVISION APPROVAL				LIGO CALIFORNIA INSTITUTE OF TECHNOLOGY MASSACHUSETTS INSTITUTE OF TECHNOLOGY			
				DO NOT SCALE THIS DRAWING		DRAWN		GROUP		SIGNATURE		DATE	
				USED ON:		CHECKED							
REFERENCE DRAWINGS				NEXT ASS'Y:		REV		DESCRIPTION		SHEETS EFFECTED		DATE	
6				5		4		3		2		1	
DWG. NO.				DESCRIPTION		DWG. NO.		DESCRIPTION		SCALE		SHEET 4 of 4	
										D980354-00-C		REV. 01	
										SCALE		STD	