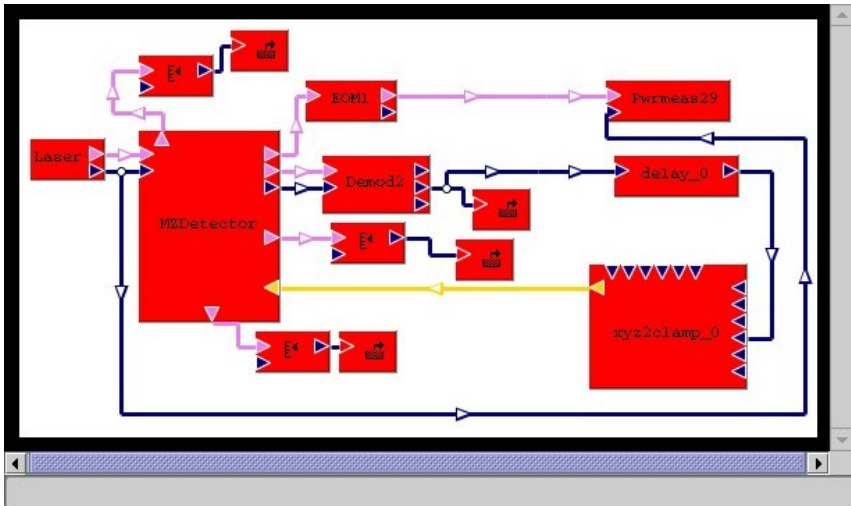


## Status of the Mach-Zehnder simulation with E2E

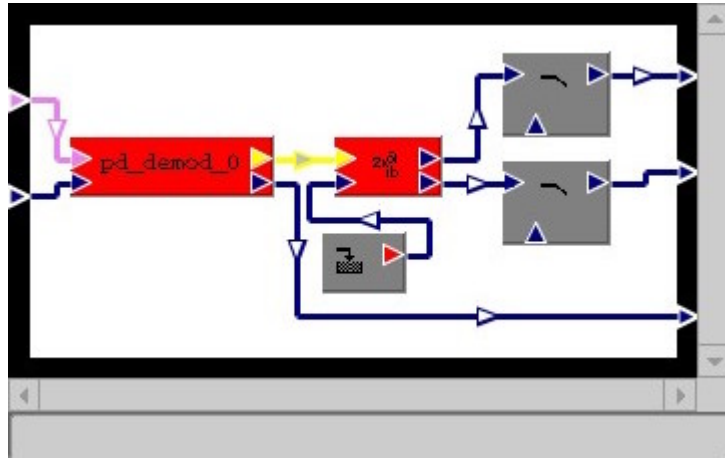
- New version of the MZ model according to Osamu scheme in LIGO doc *T040119-00R-00D* (06/01/04)  
-> no PMC inserted !
- Beam-splitter (BS.box) created with a single mirror
- z motion of the steering mirror
- Modeler runs well ... power outputs after BS1 are always 0.5 but after EOMs power has to be 0.25 ... check !
- Noisy Laser inserted
- Real data inserted: conversion from vec to real or not?

# Mach-Zehnder package

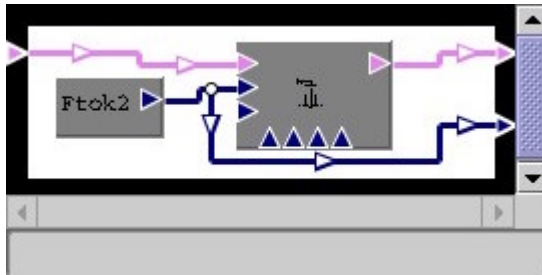
Main.box



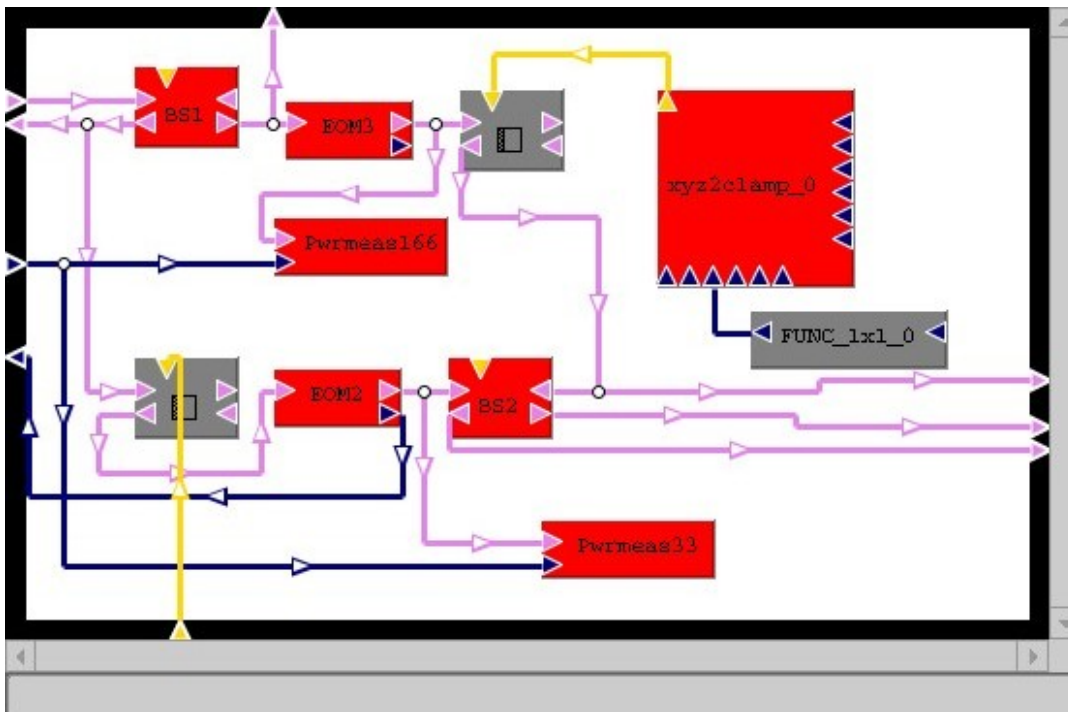
Demod.box



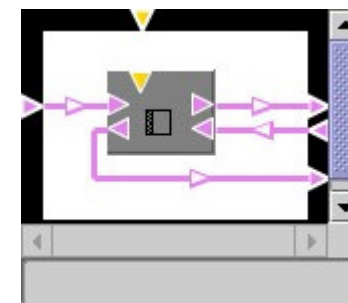
EOM.box



# Detector and Beam-Splitter

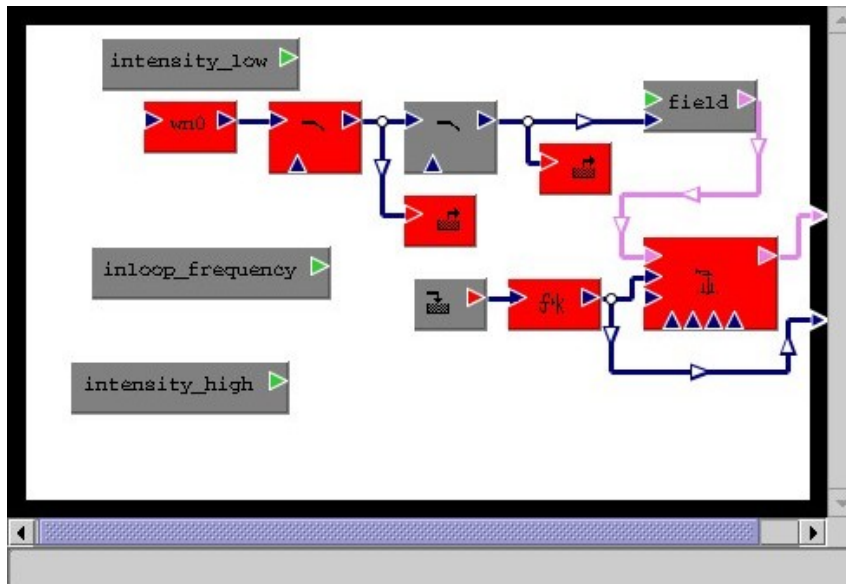


Detector.box

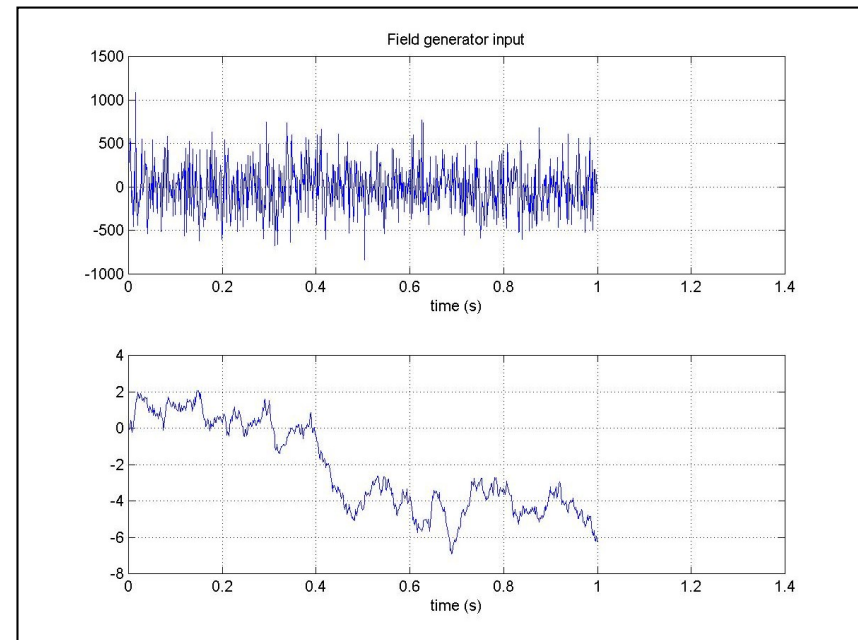


BS.box

# Field generator input before and after the integrator

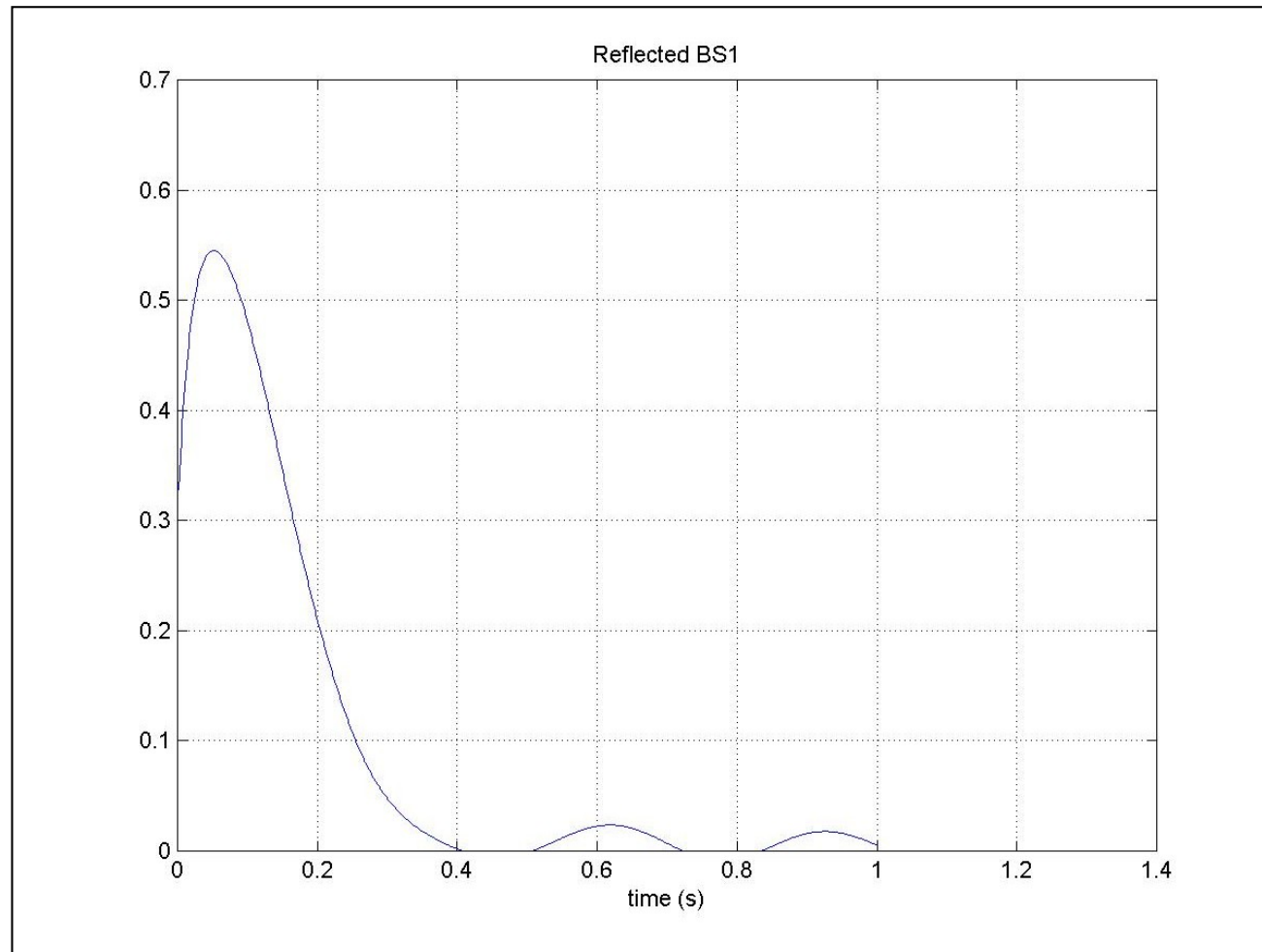


Laser.box



Simulation time : 1 s

# Reflected Power from BS1



Simulation time : 1 s

This document was created with Win2PDF available at <http://www.daneprairie.com>.  
The unregistered version of Win2PDF is for evaluation or non-commercial use only.