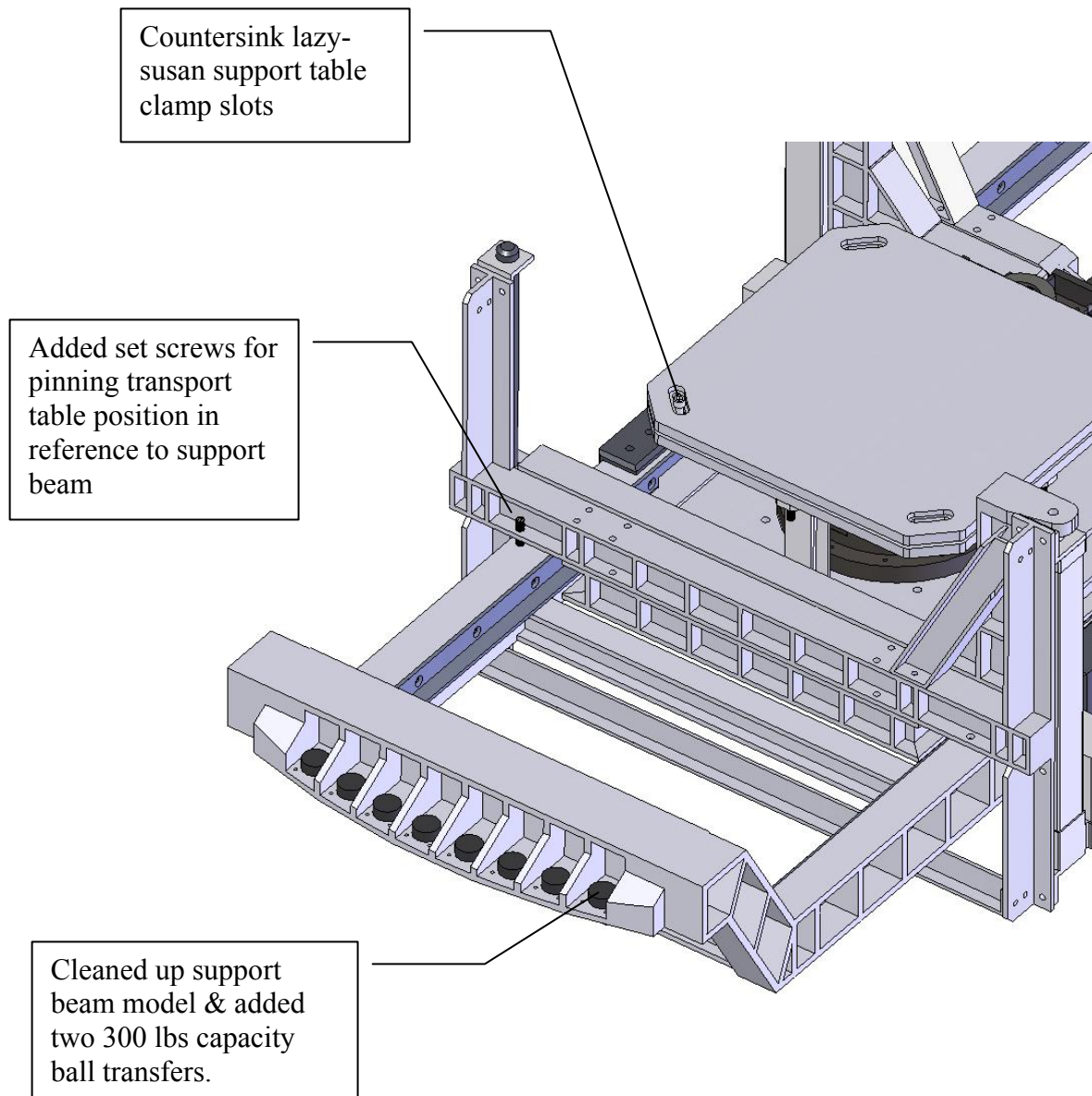
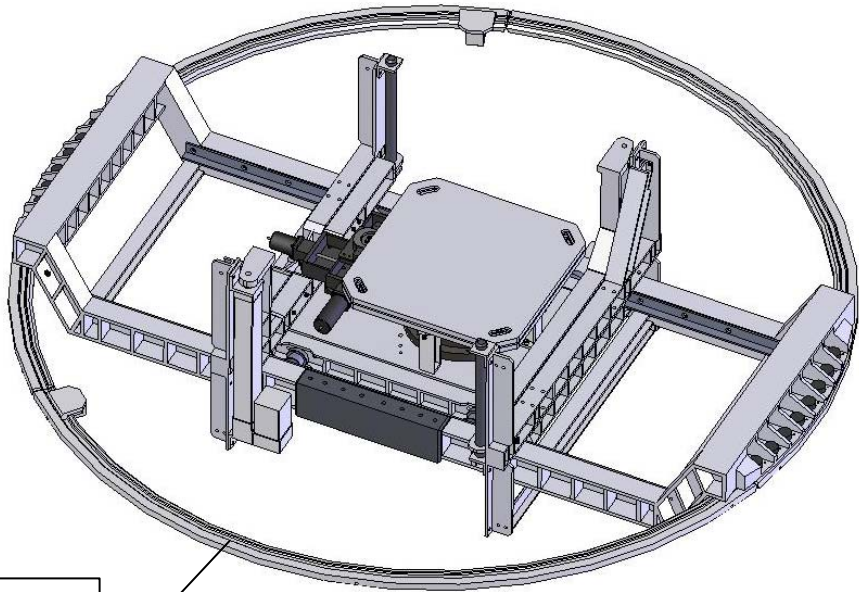


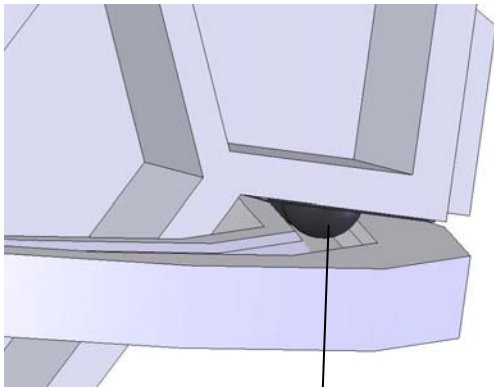
Quad Installation Fixtures – Design Update April 19, 2005



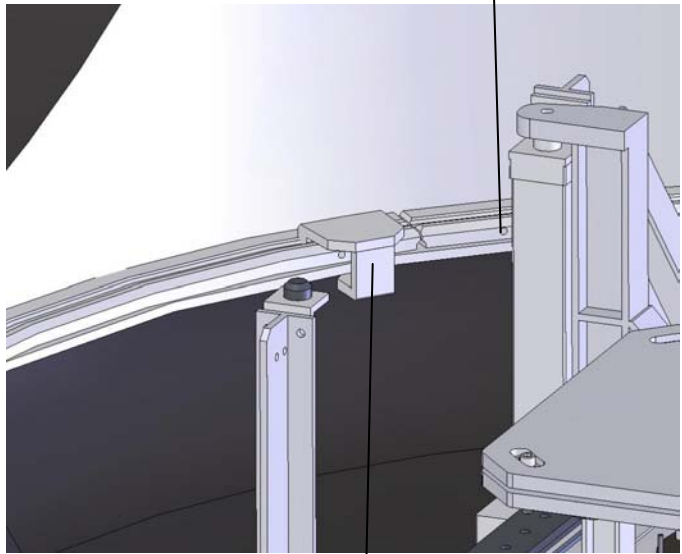


Designed three 120 deg support ring sections for lazy susan. It has a groove for ball transfers.

Tapped hole in support ring – four per section, for adjusting distance to chamber wall



Transfer ball running in groove on support ring



Support ring clamp – clamps the support ring to the existing flange in chamber

Tapped hole in lazy susan for set screw to adjust distance to chamber flange

