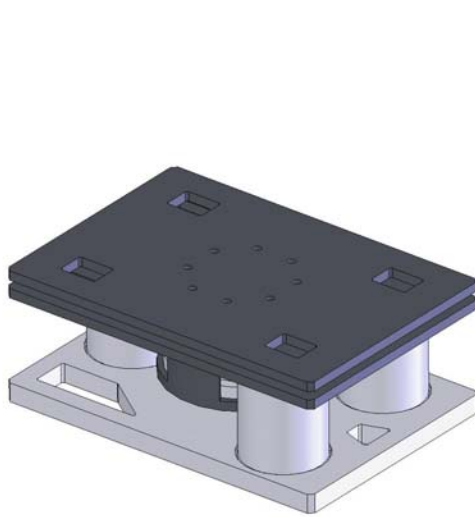
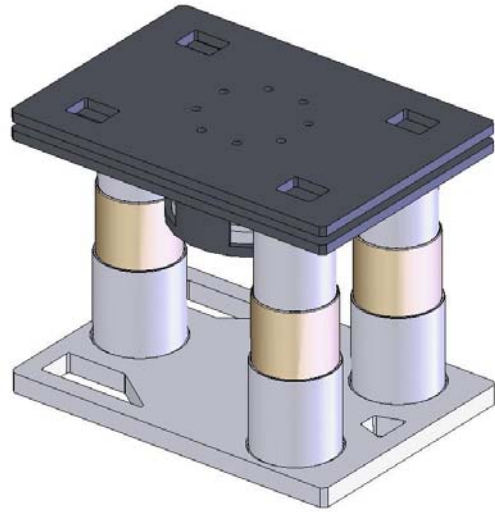


T050006-00-E Quad Suspension – Installation Tooling Design Update

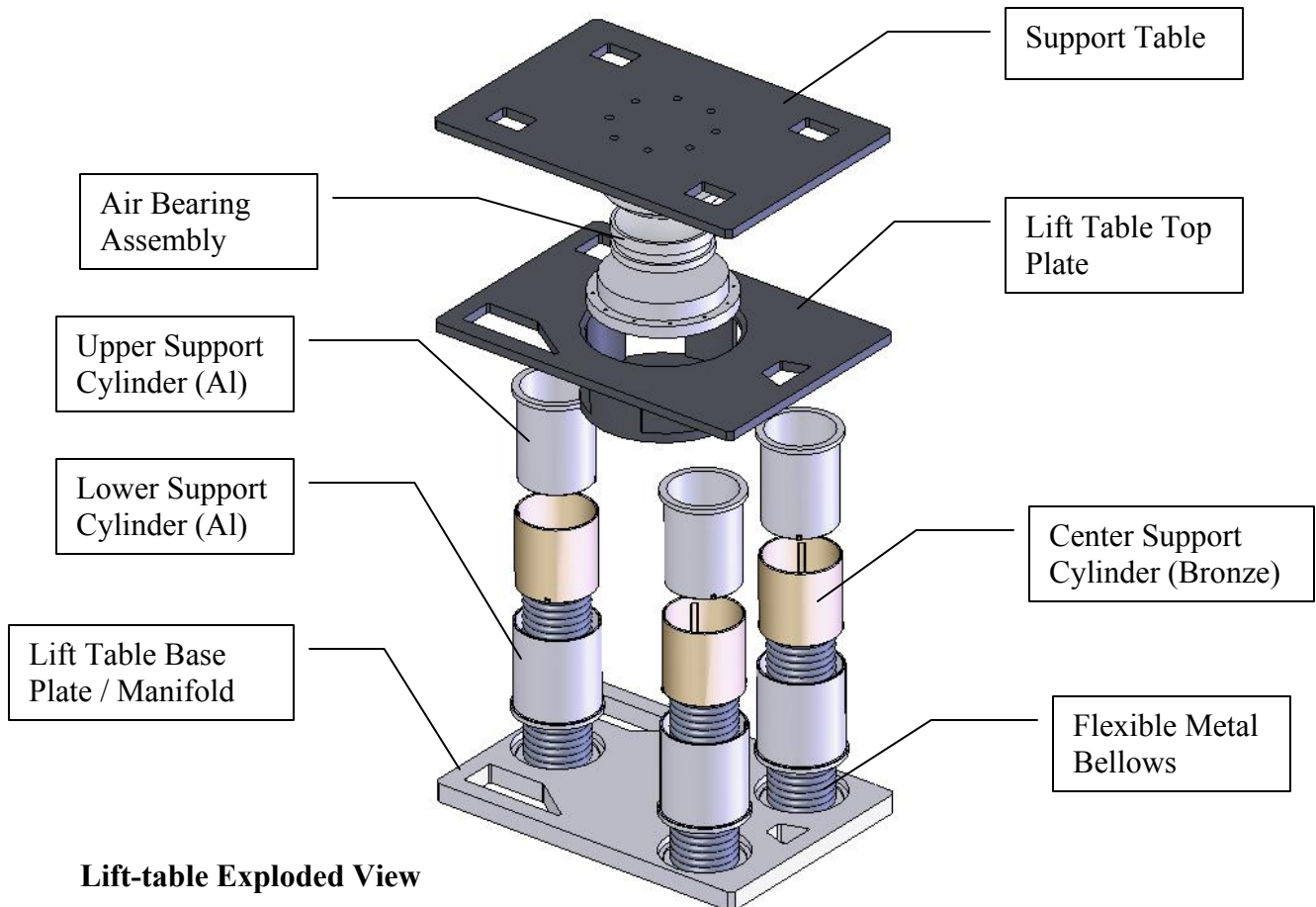
O. Spjeld, Jan. 25 – 2005



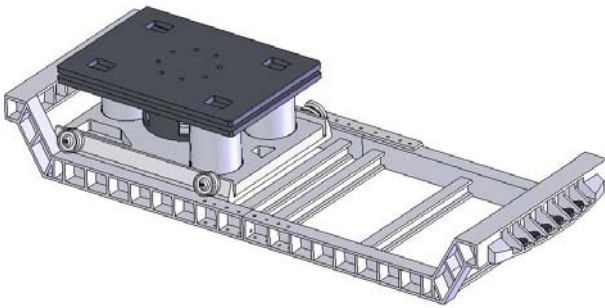
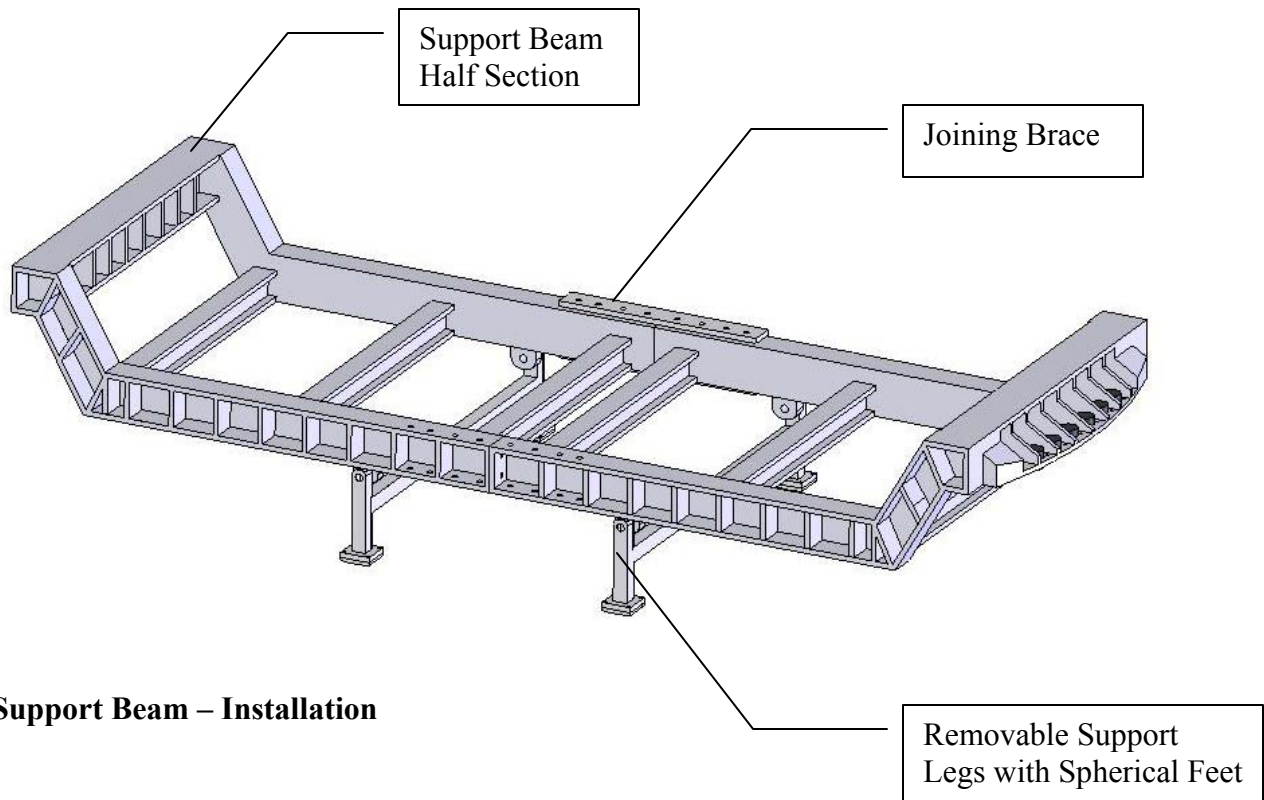
Re-designed Lift Table – Lowered



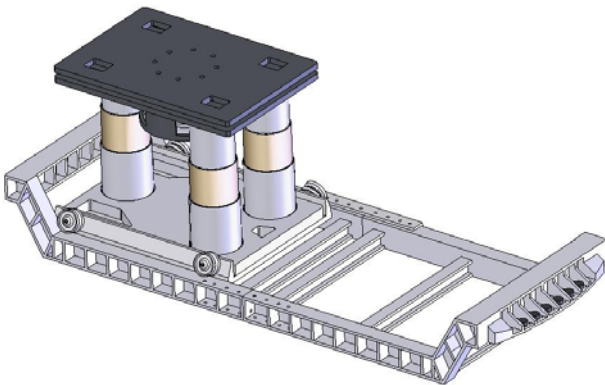
Re-designed Lift Table – Raised



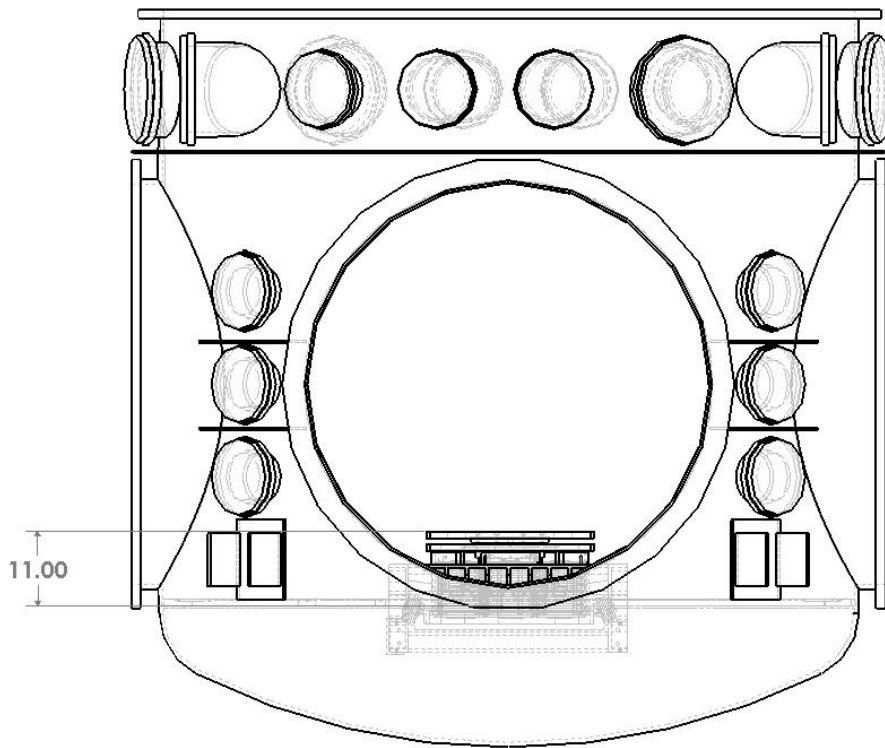
Lift-table Exploded View



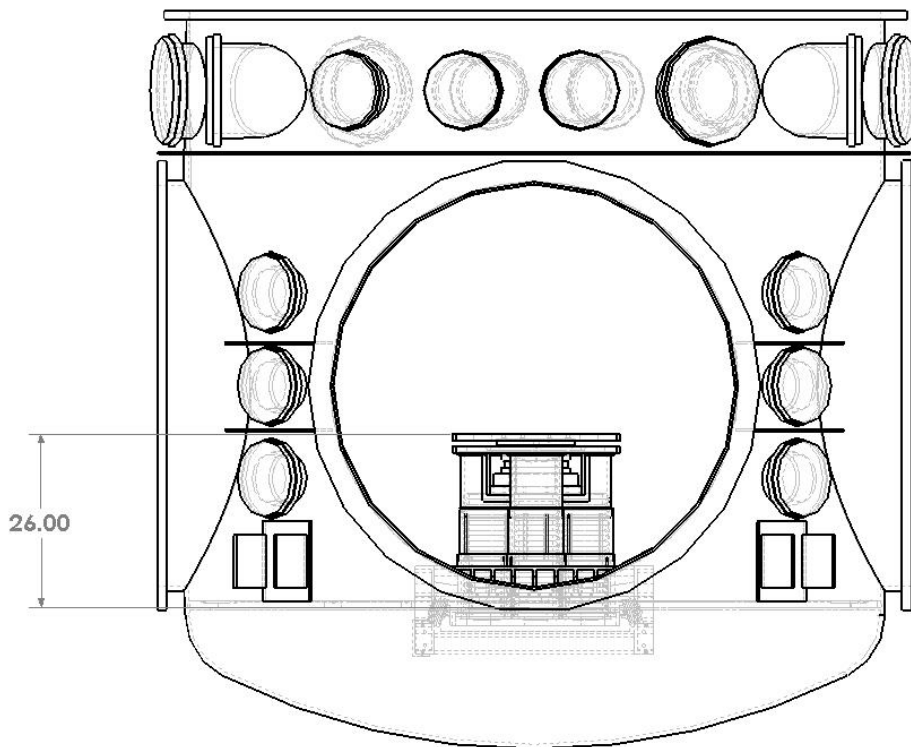
Support Beam with Lift Table (Lowered)



Support Beam with Lift Table (Raised)



Low Position: Distance from Support Table to chamber support ring is 11 in.



**Raised Position: Distance from Support Table to chamber support ring is 26 in.
Maximum Lift Height is 15 in.**