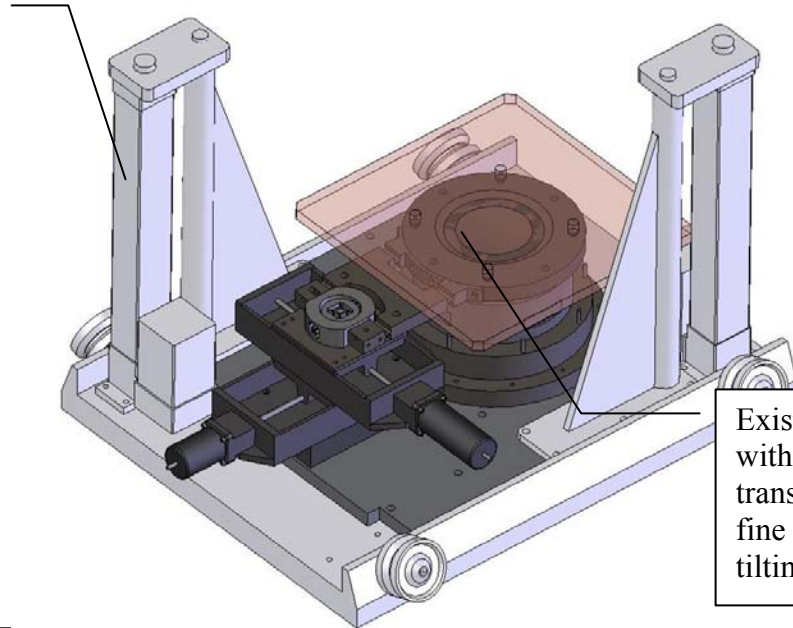


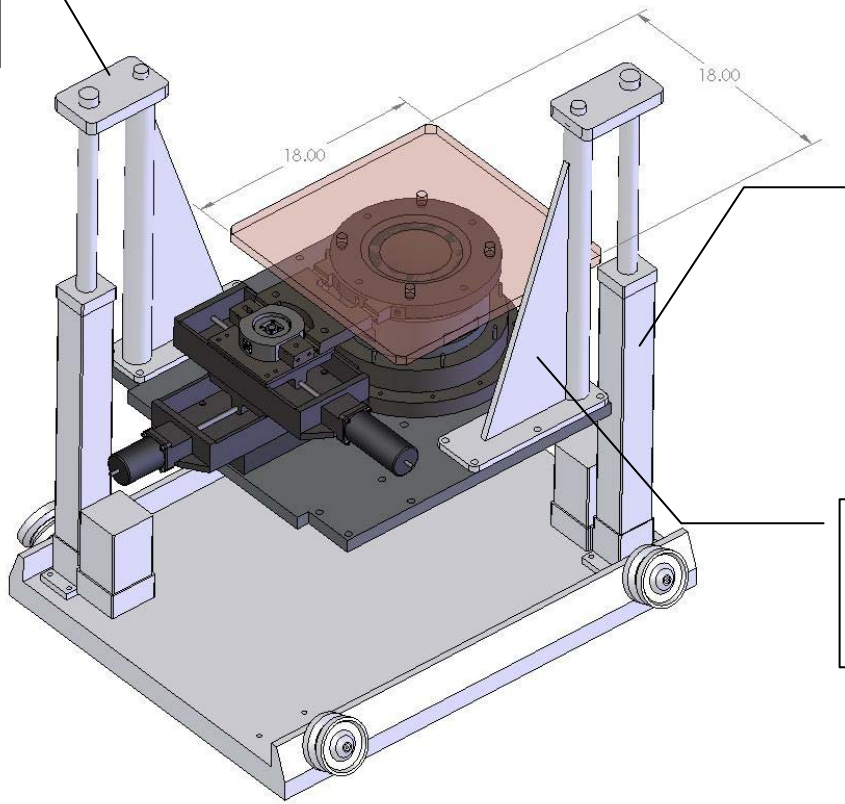
Quad Installation Fixtures – Design Update March 1, 2005

IDC
Motion
Linear
Drives
EC3 w/ 15”
travel,
1,600 lbs
load
capacity



Existing air-bearing
with X- & Y-
translation steps for
fine alignment and
tilting support table

Maximum
lift is 15”



Linear drives
mounted to
transport table, may
have to be stiffened
up some.

Lifting arm –
concept only, design
will have to be looked
at more carefully

