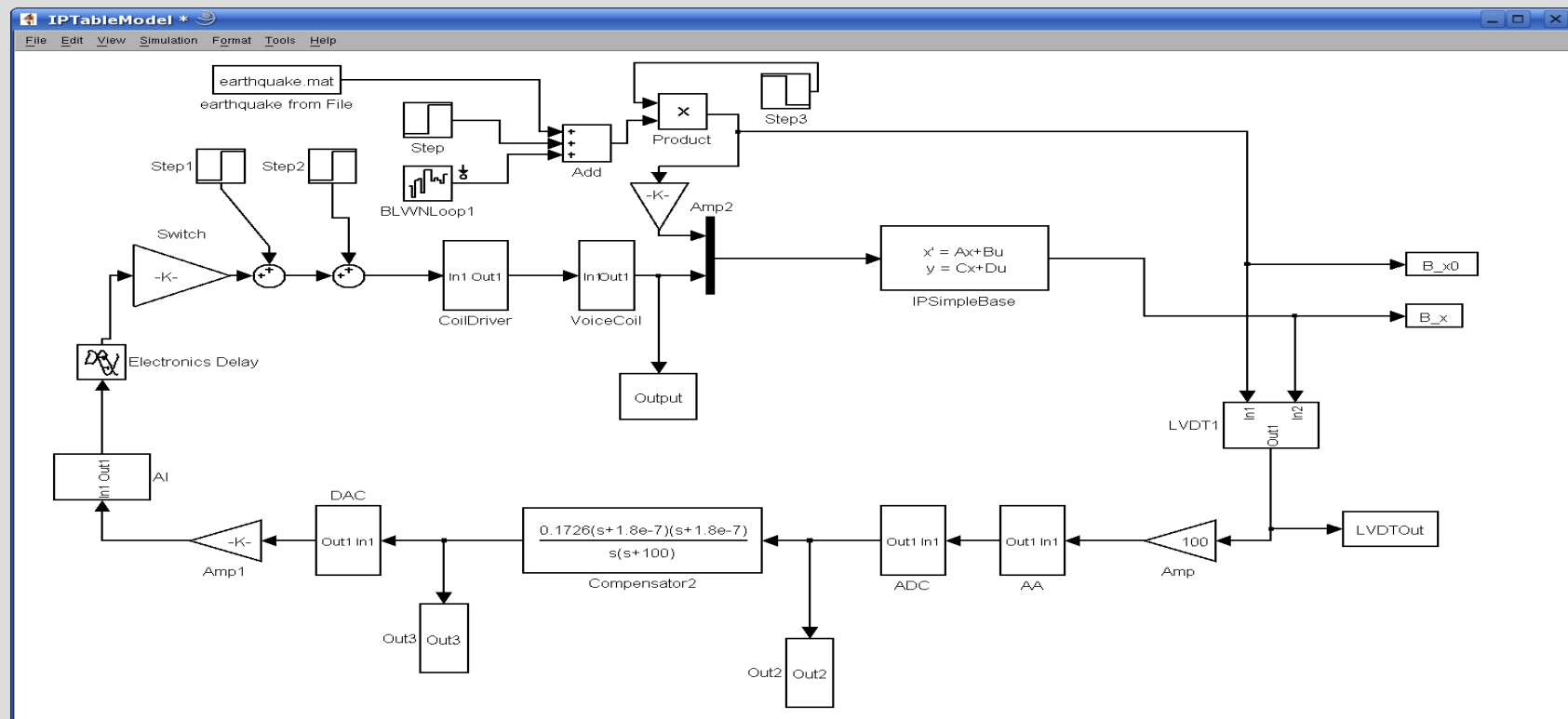
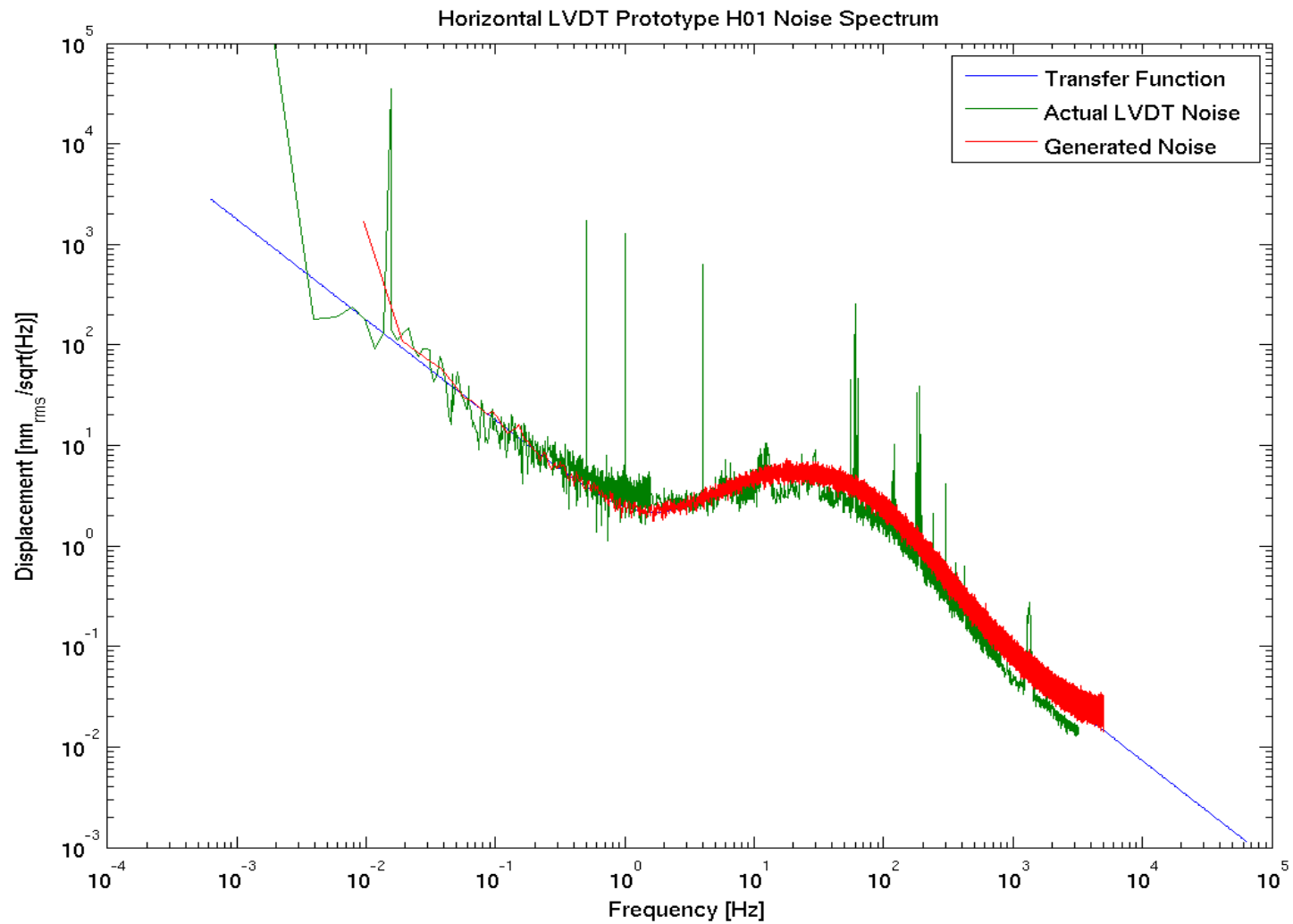


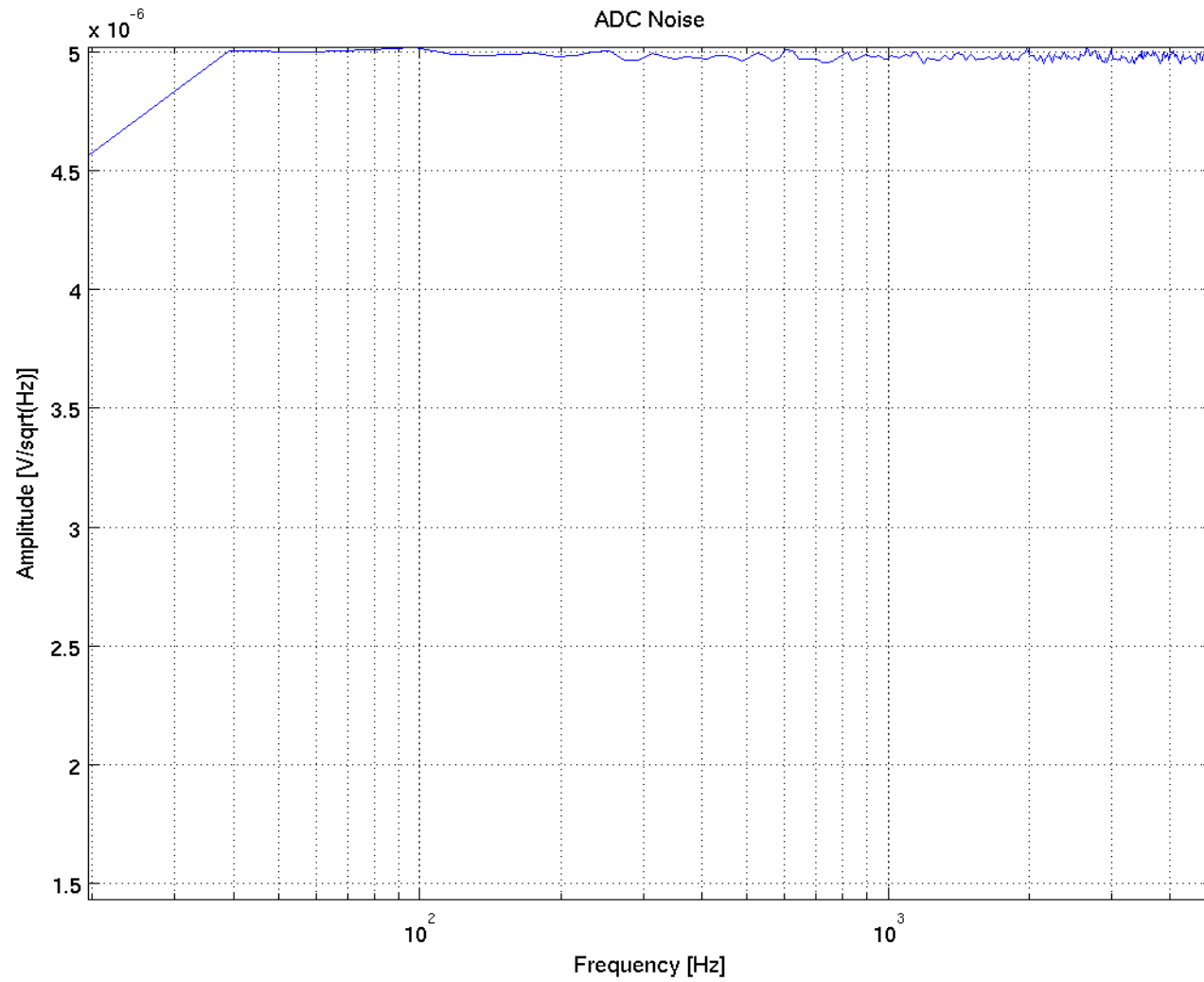
Model of Active Attenuation



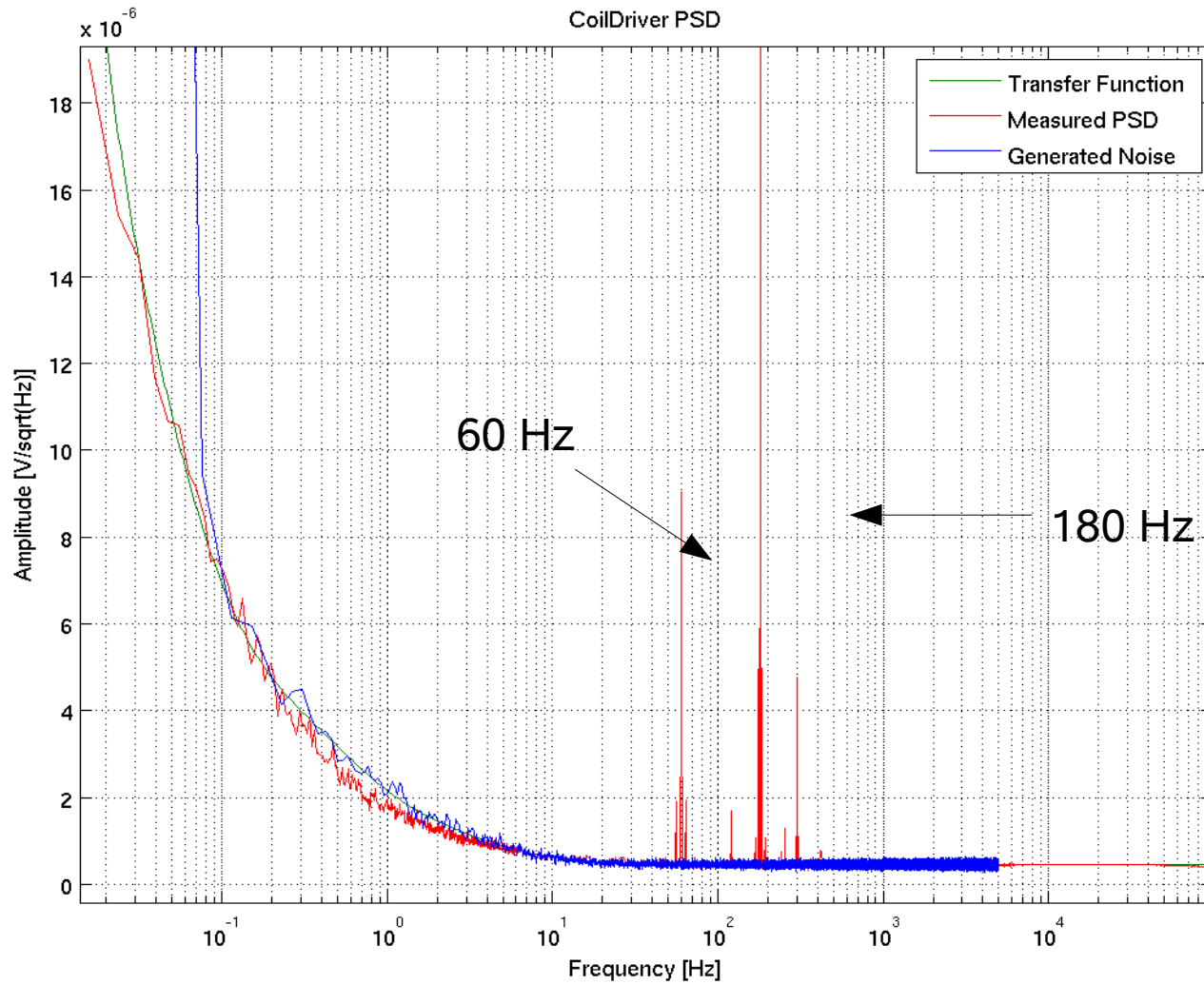
Horizontal LVDT



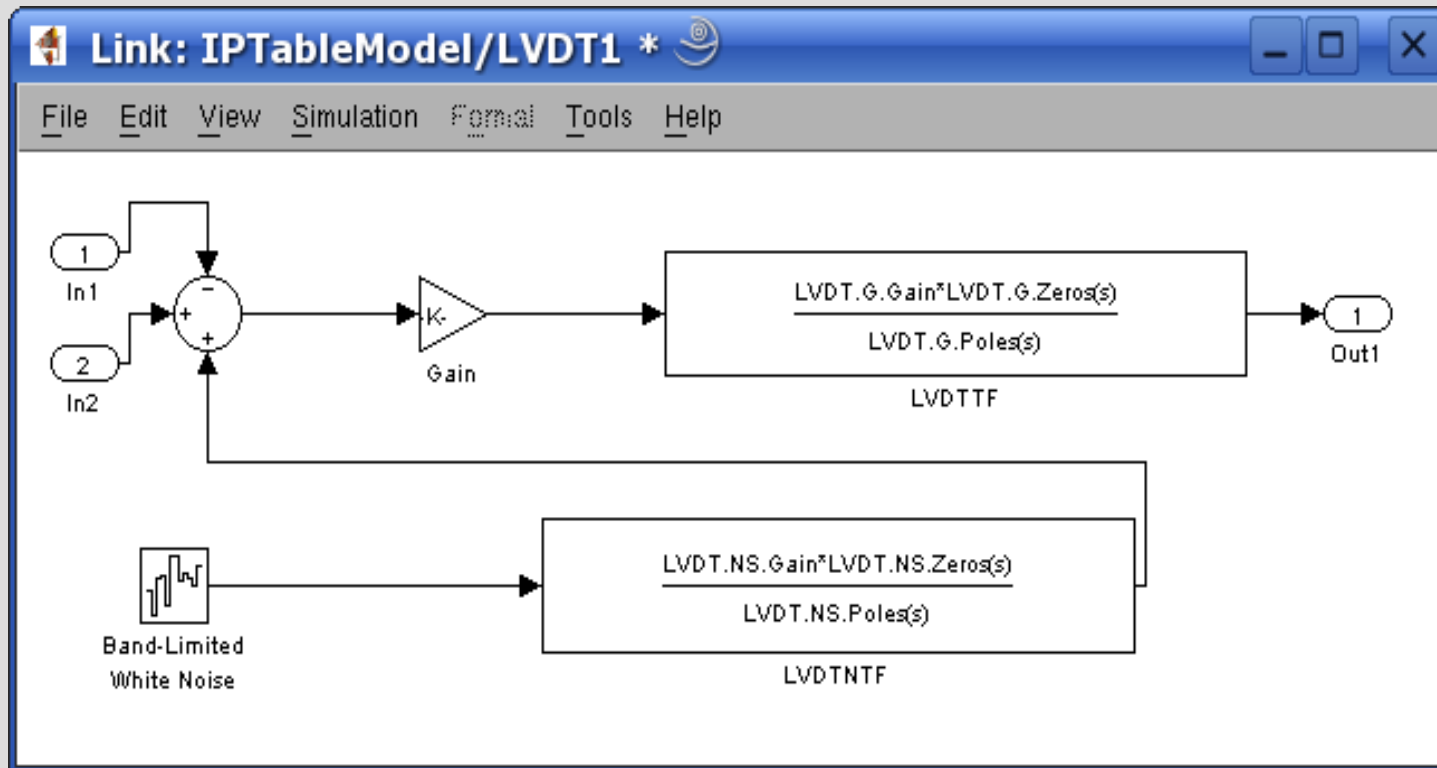
ADC



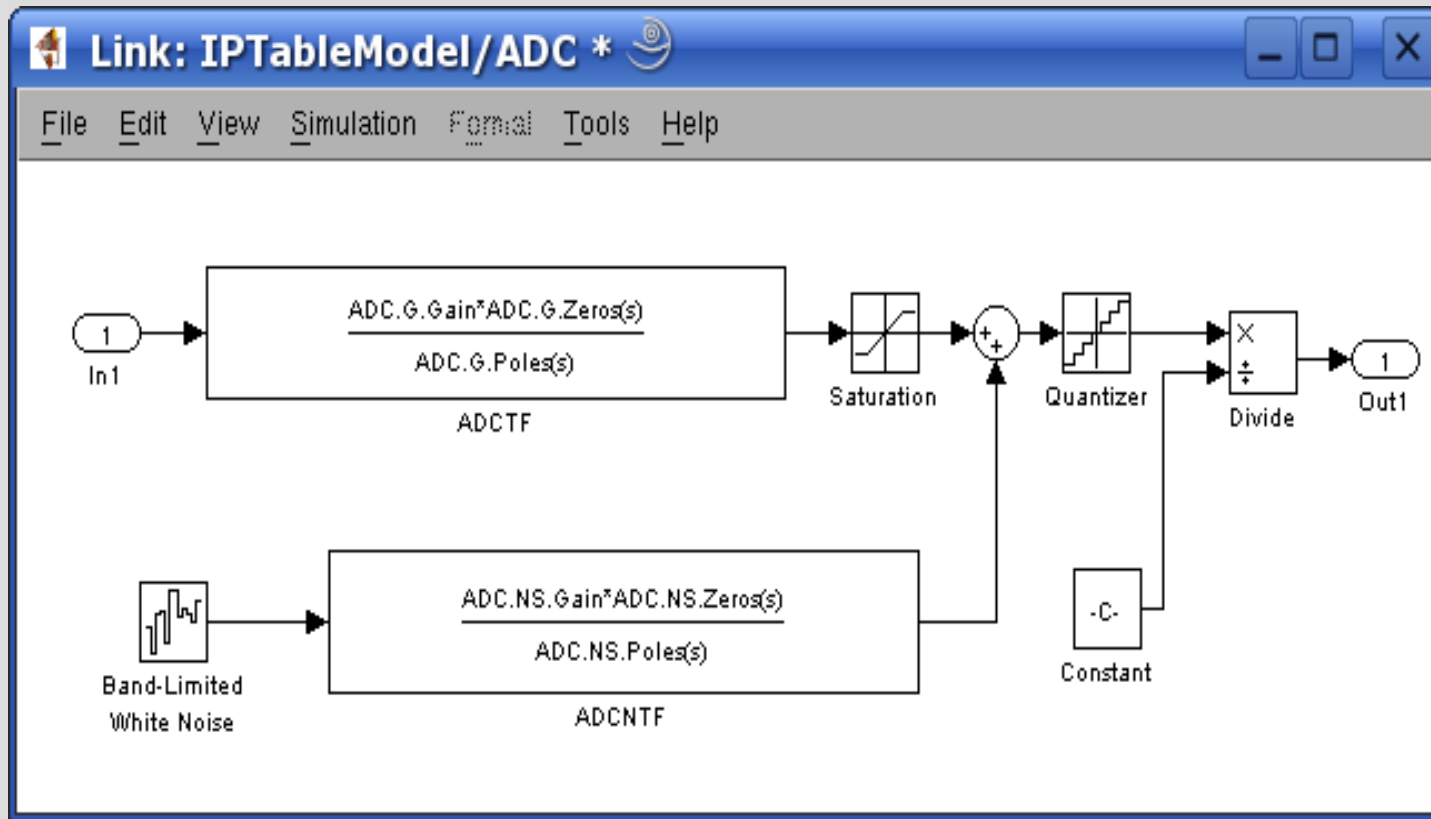
Coil Driver



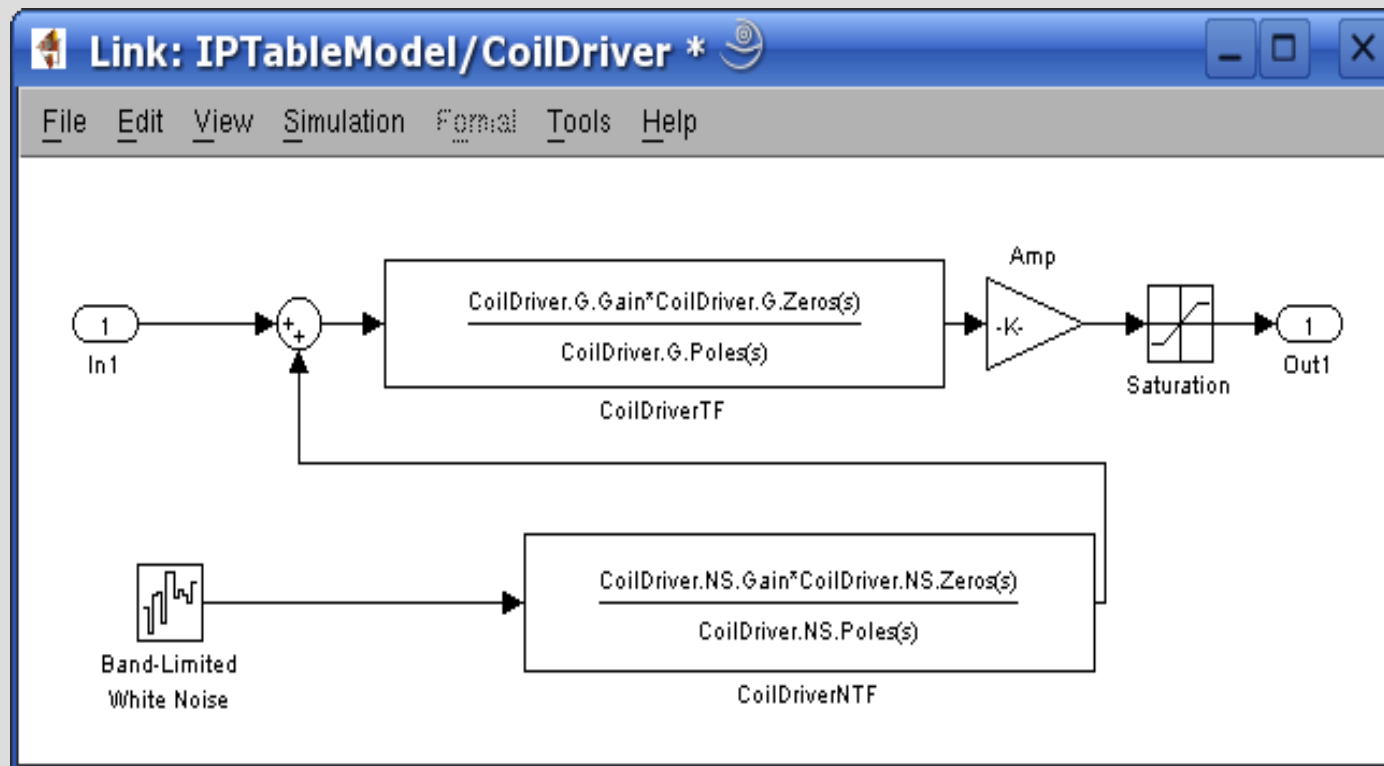
LVDT Simulink Module



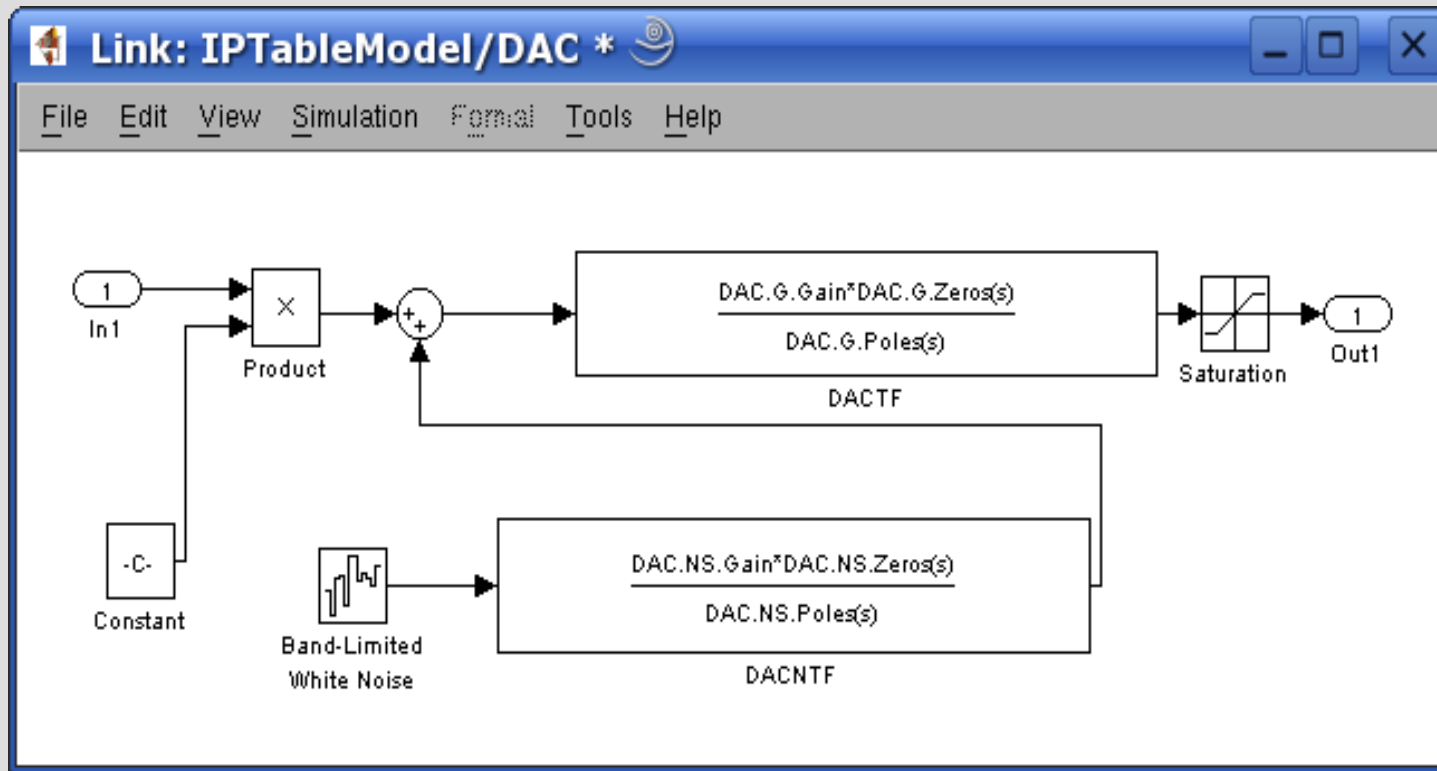
ADC Simulink Module



Coil Driver Simulink Module



DAC Simulink Module



Simulink Model

