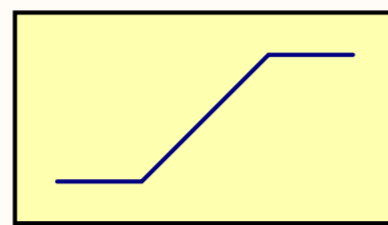
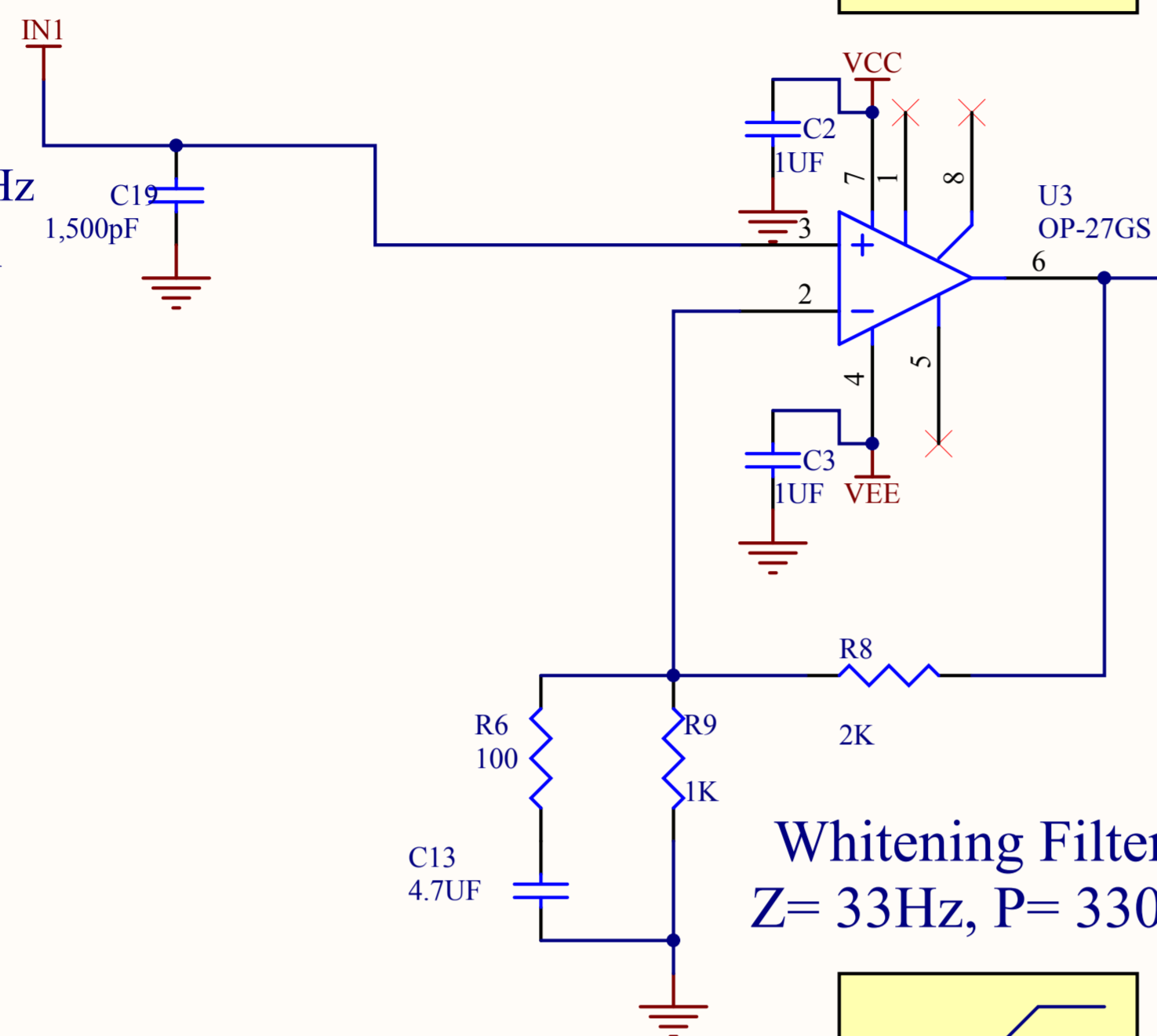


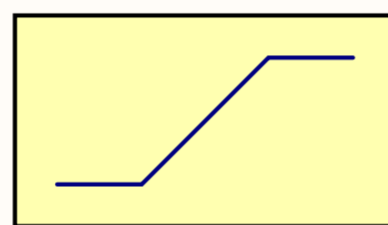
Whitening Filter  
 $Z = 33\text{Hz}$ ,  $P = 330\text{Hz}$



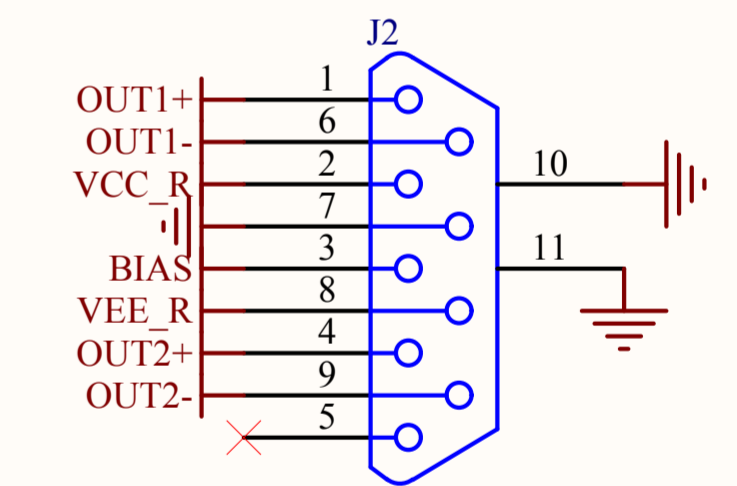
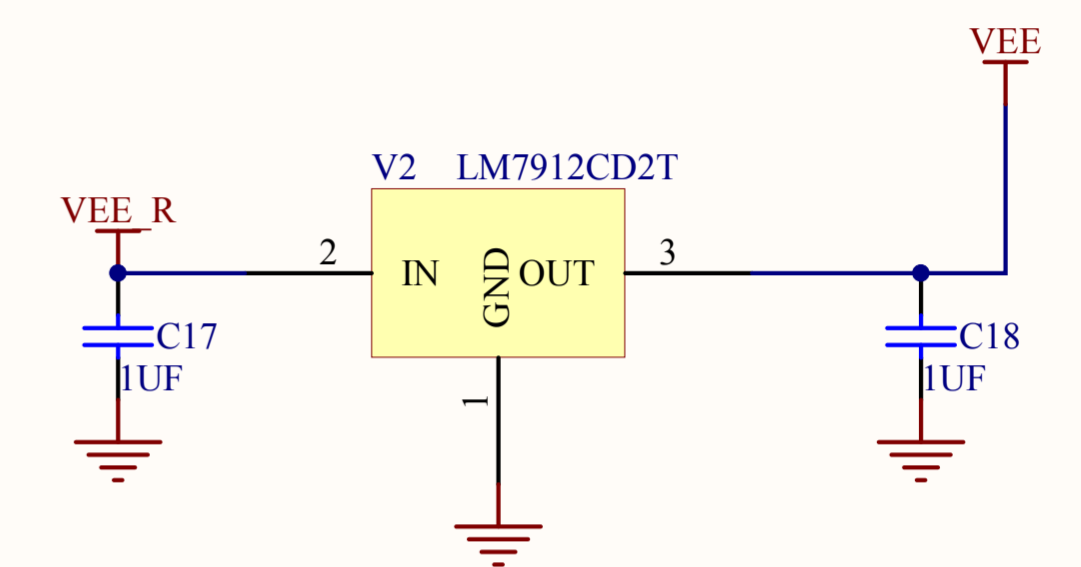
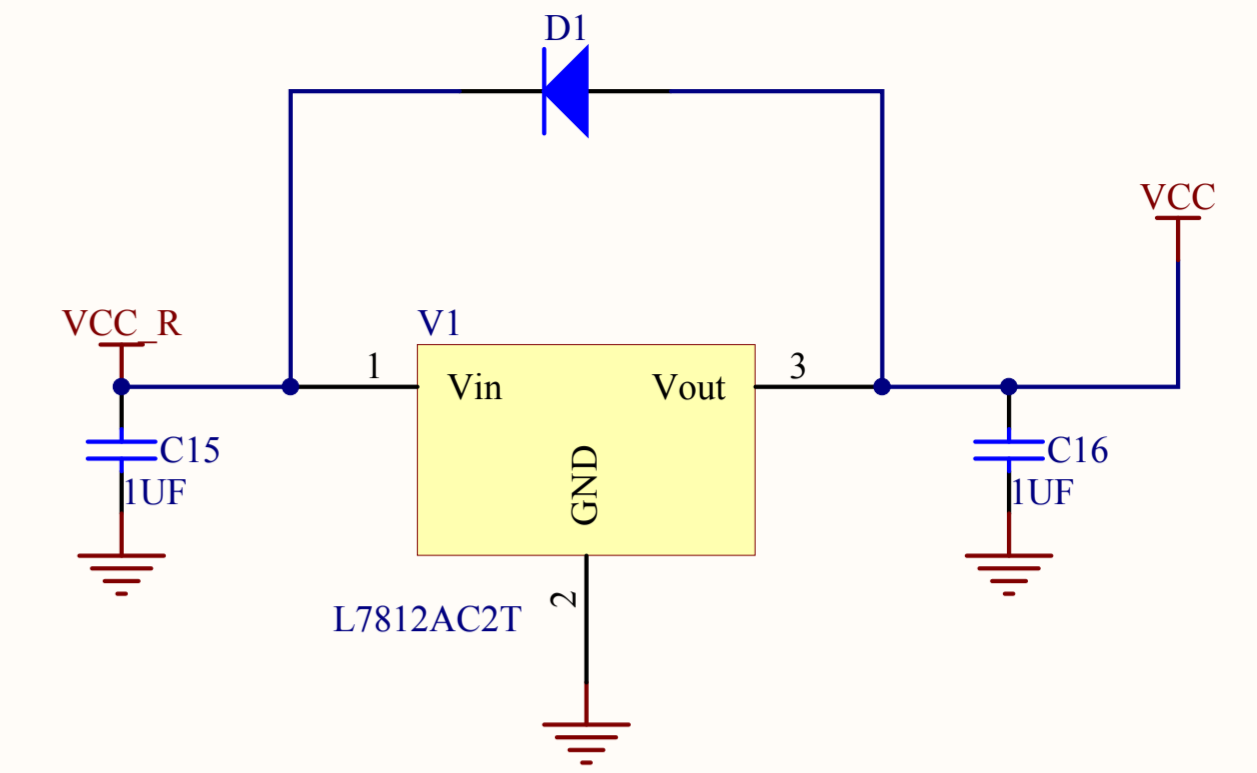
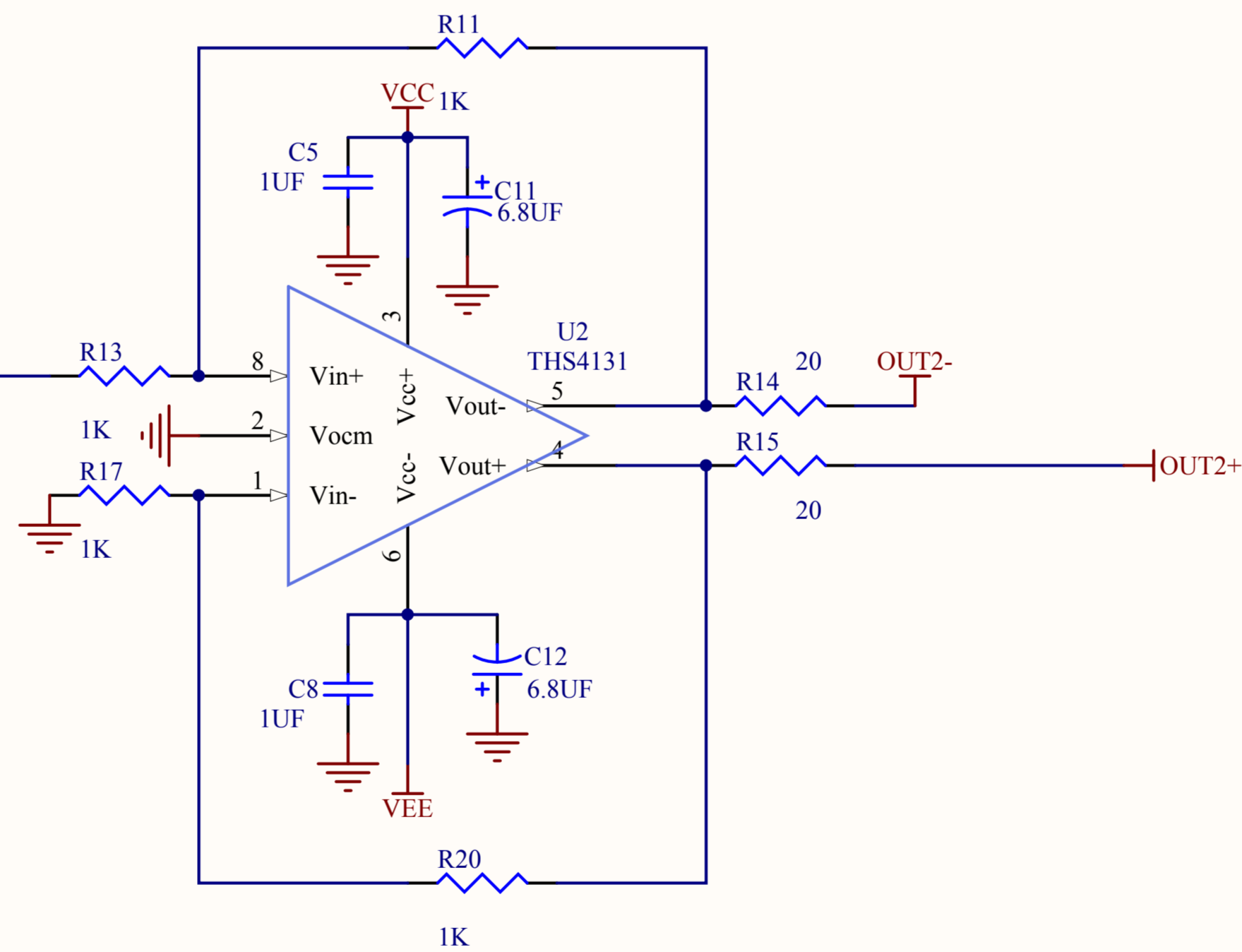
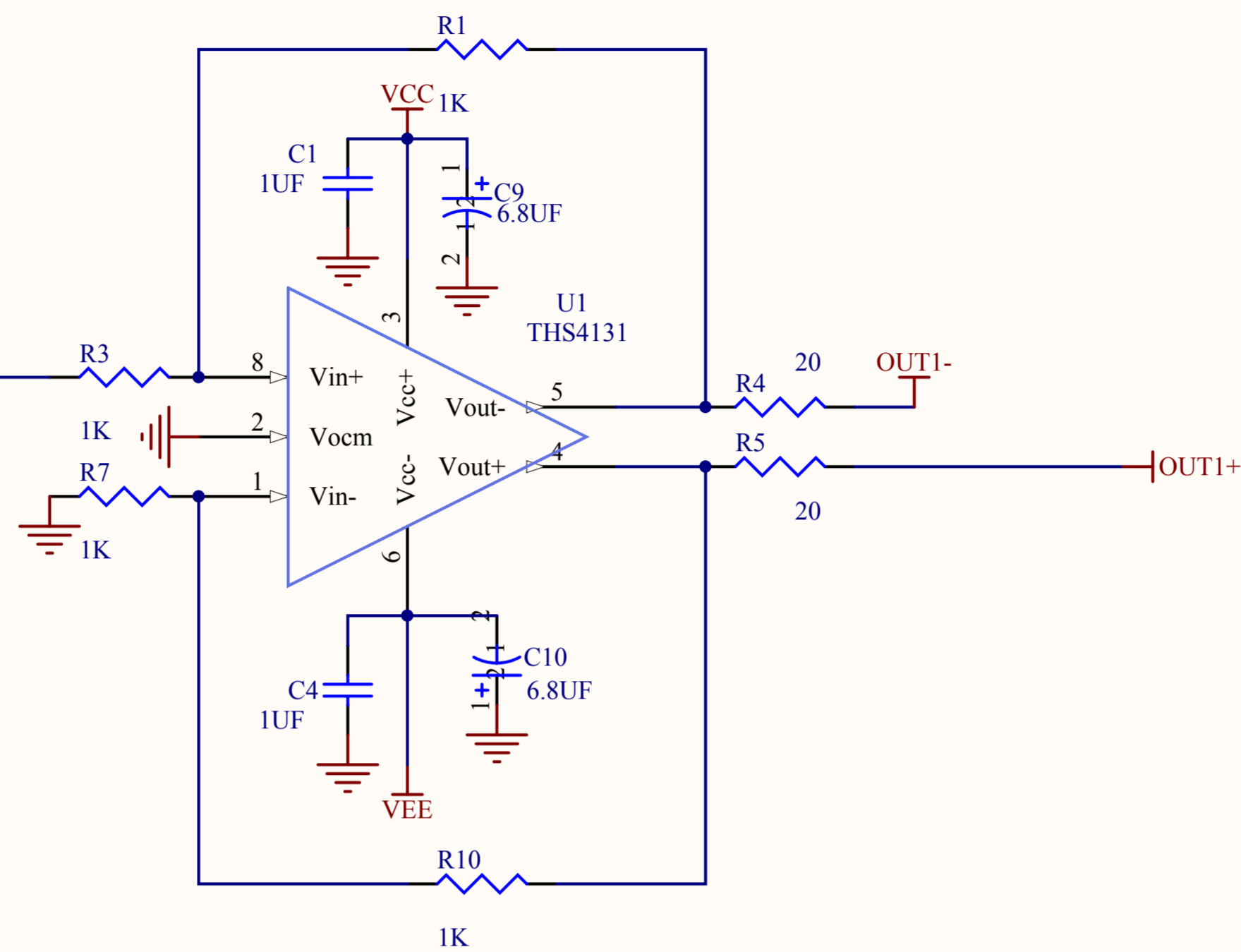
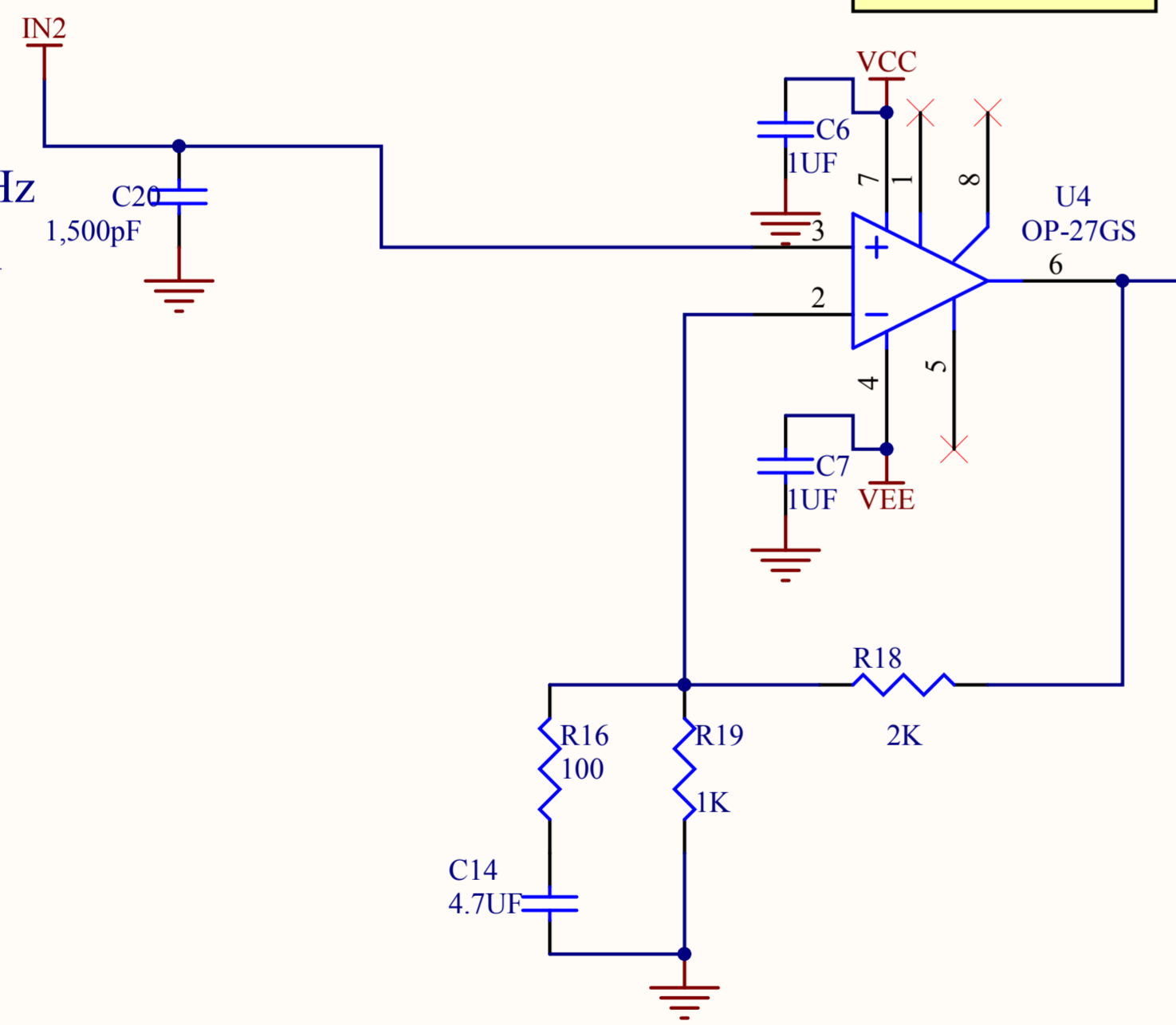
Cap makes 100KHz pole with 1K Ohm external resistor



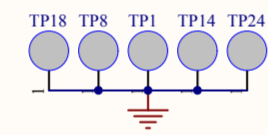
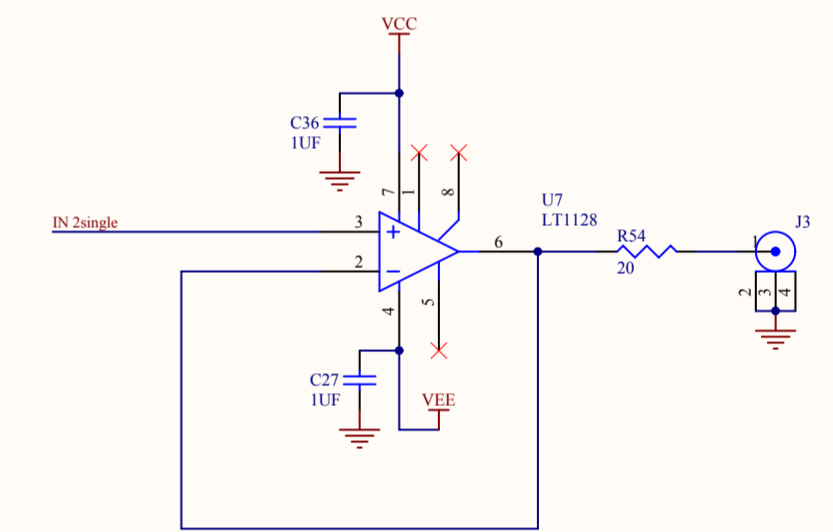
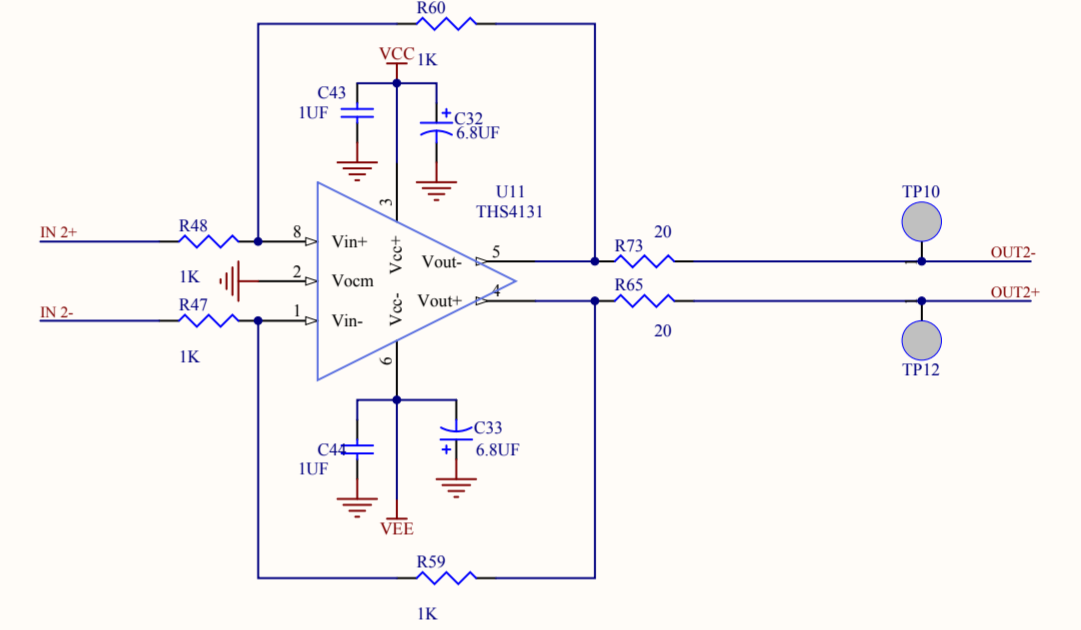
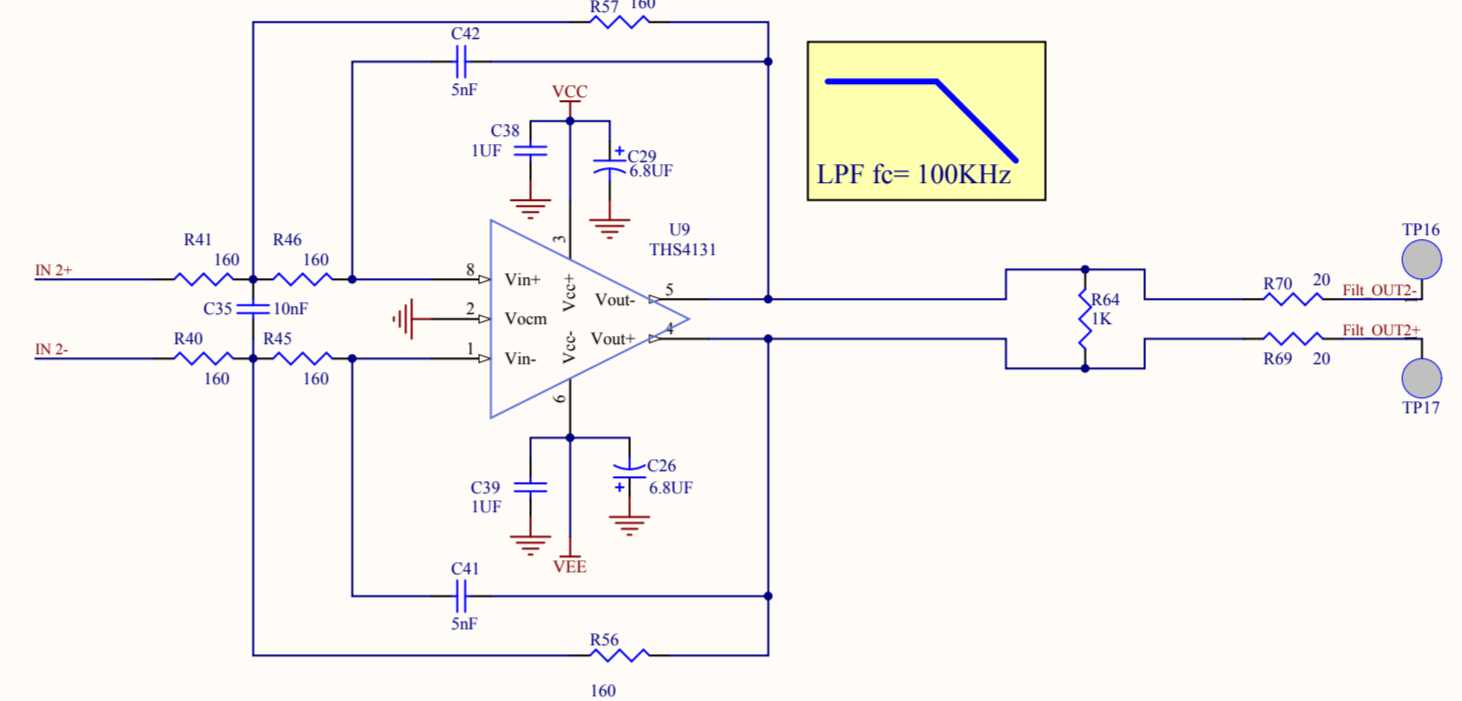
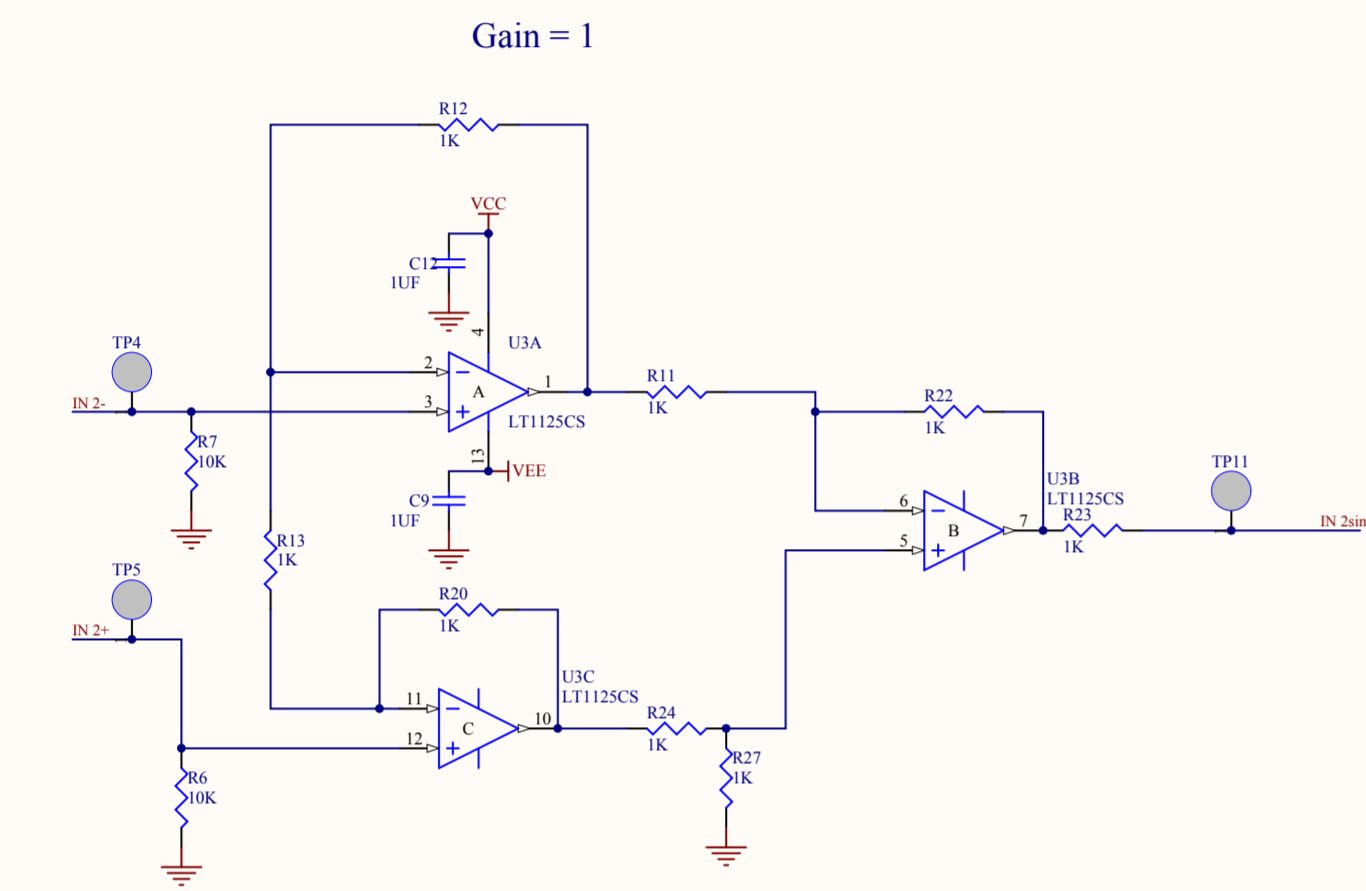
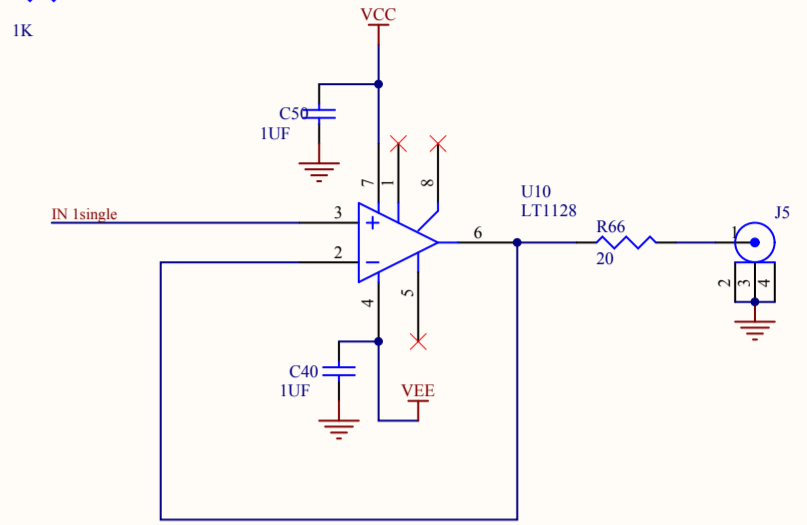
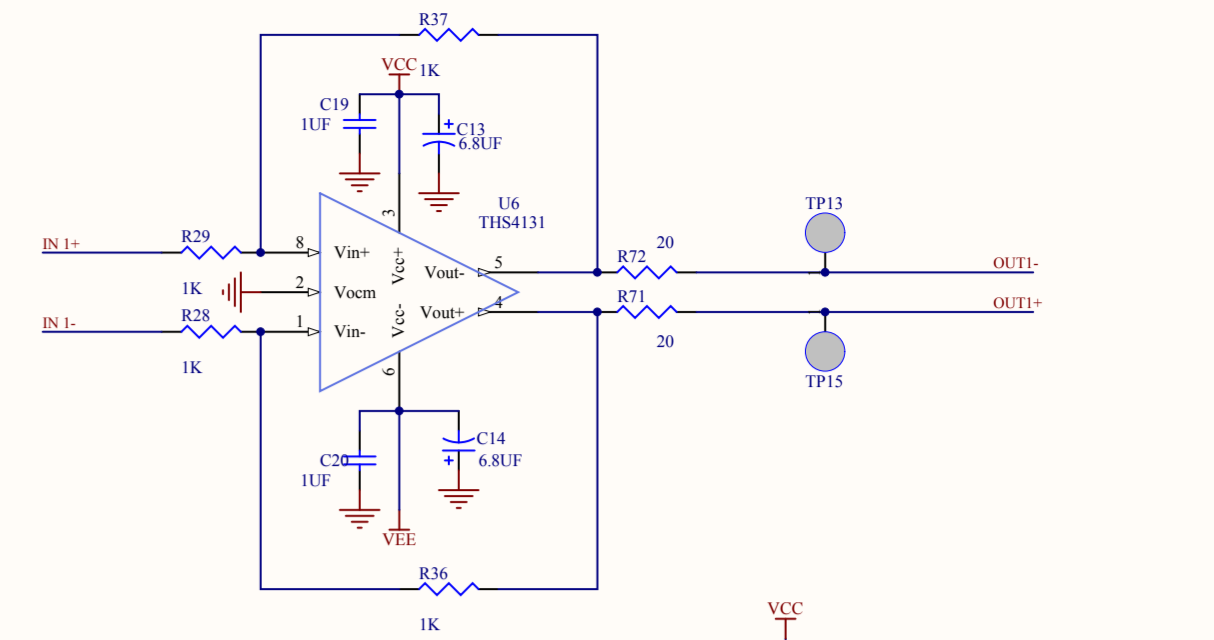
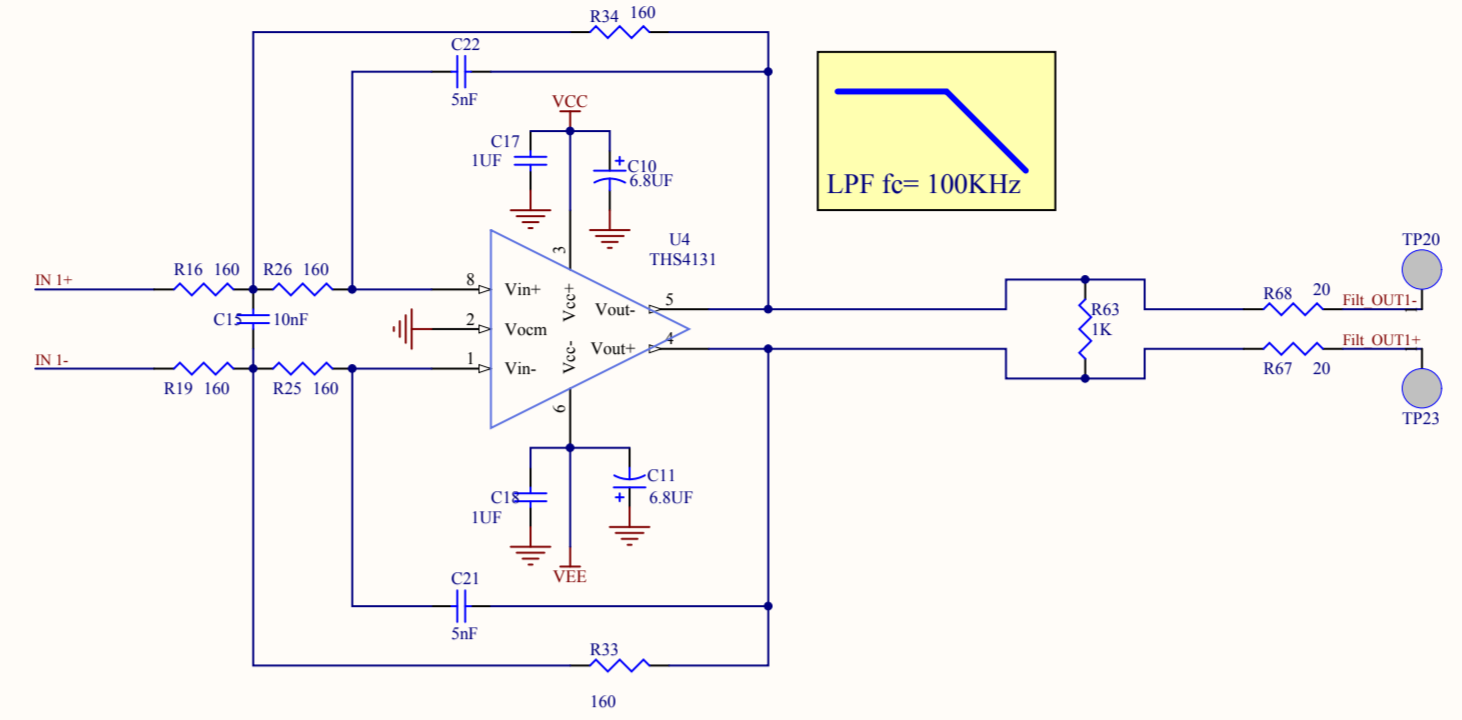
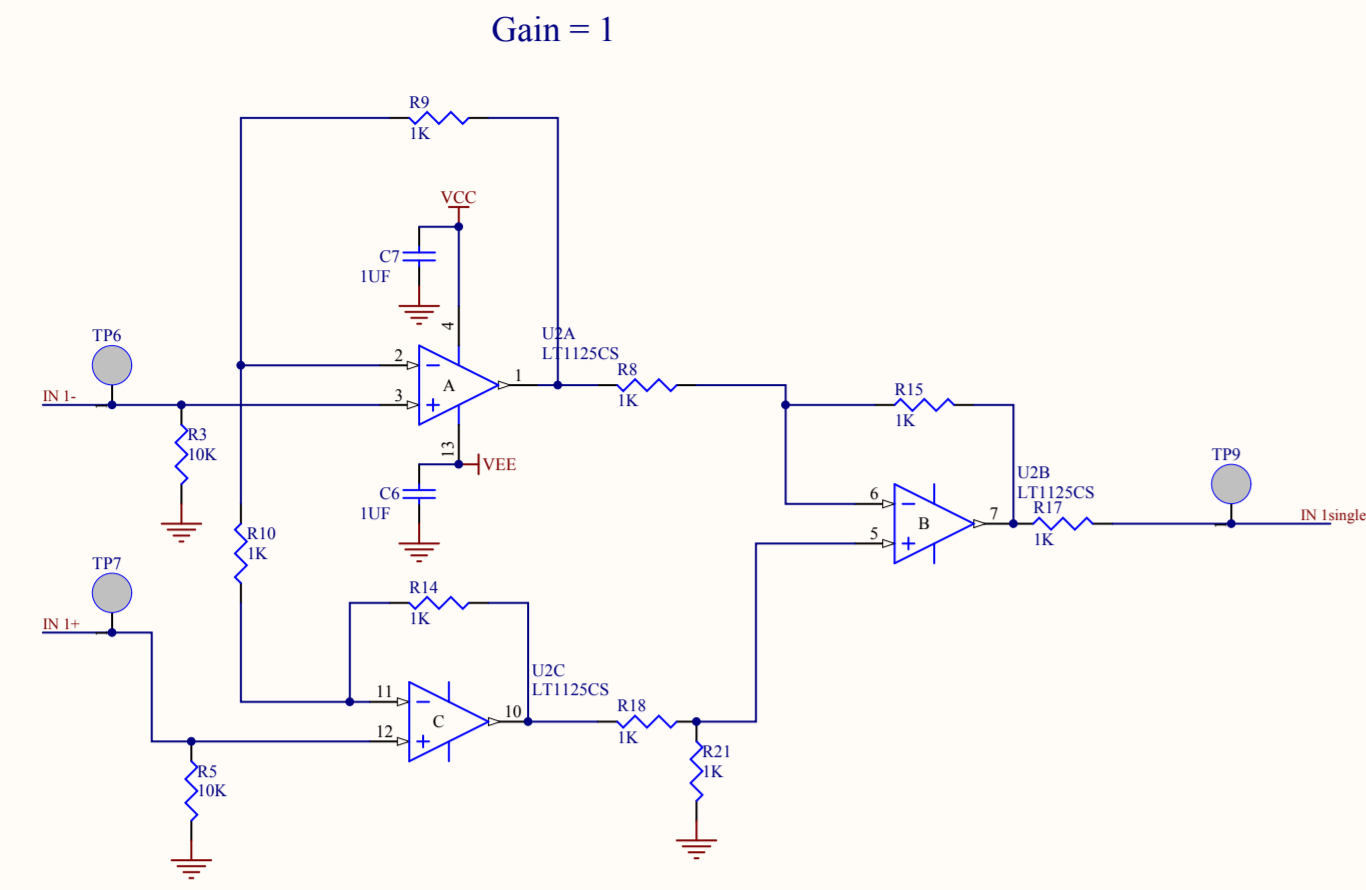
Whitening Filter  
 $Z = 33\text{Hz}$ ,  $P = 330\text{Hz}$



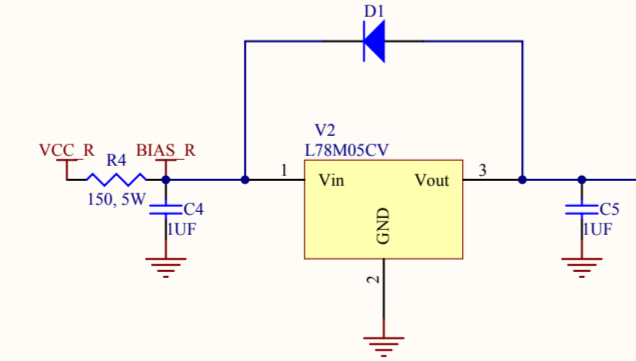
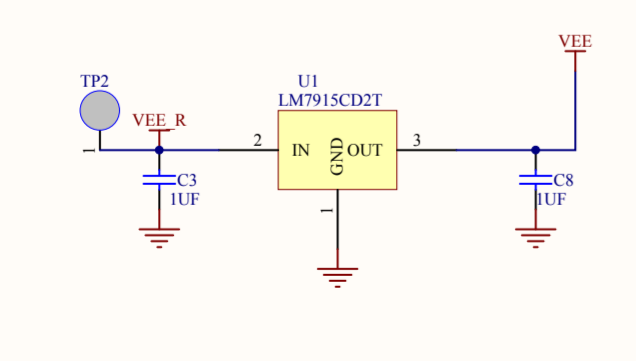
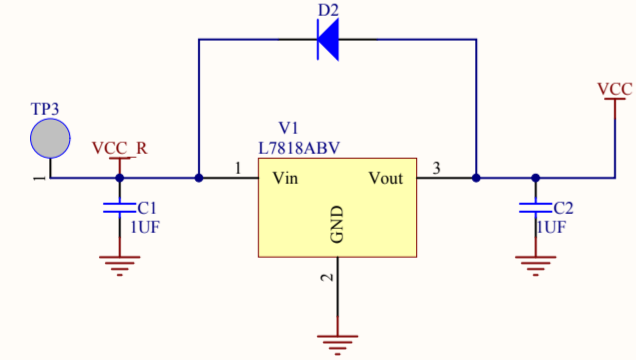
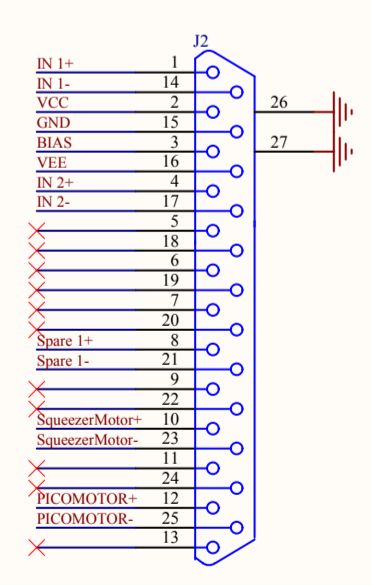
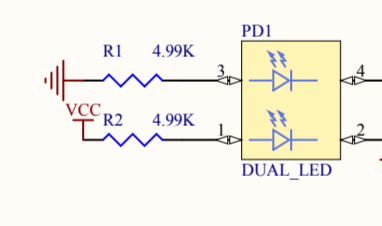
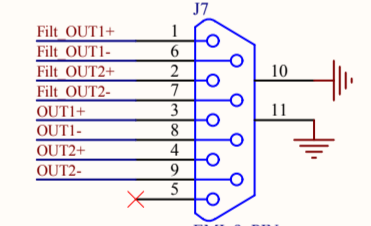
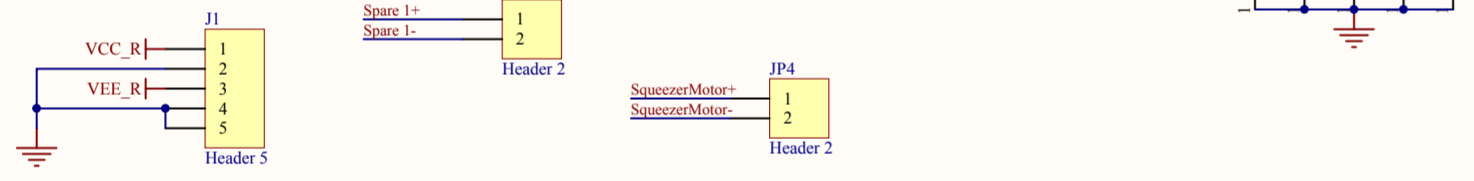
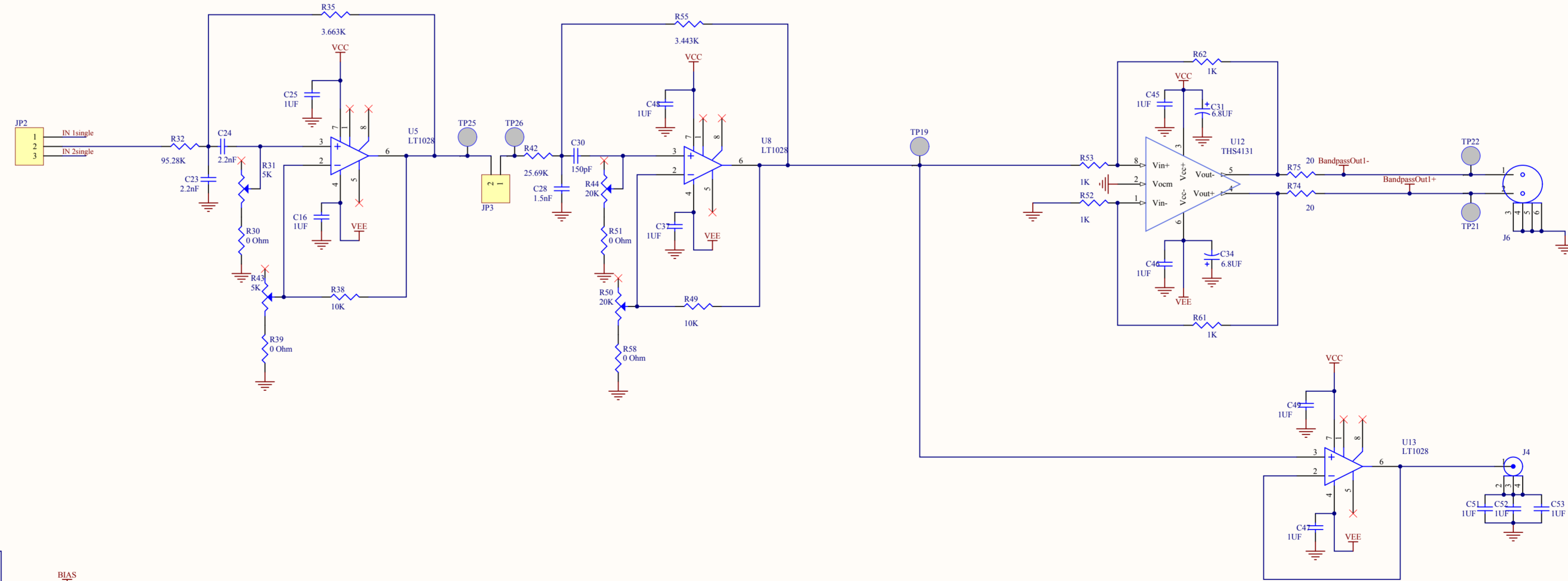
Cap makes 100KHz pole with 1K Ohm external resistor



Title		
Size	Number	Revision
B		
Date:	8/30/2006	Sheet of
File:	C:\Ben\...\DCPD_3.SchDoc	Drawn By:



20KHz Bandpass Filter



Title		
Size	Number	Revision
D		
Date	8/30/2006	Sheet of
File	C:\Bem_UK_PDI_Interface_Box_RevA15\100000 By	