

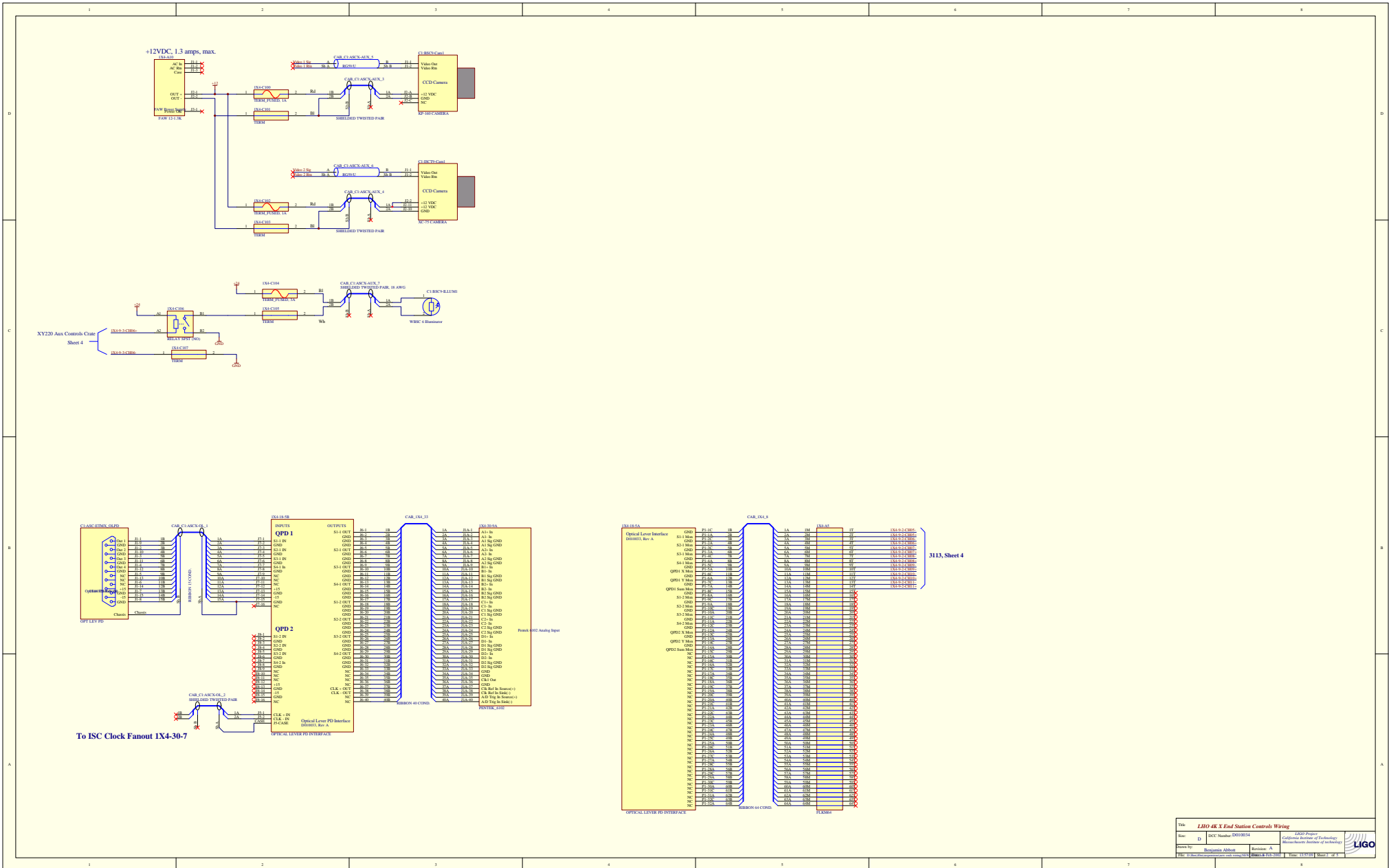
Note:
 These drawings cover both the 4th X and Y End Stations.
 The cable numbers and device names shown are for the X end.
 Y end cable numbers and device numbers should be substituted accordingly.
 The Y end rack number is 119.
 The QPD is QPDY, the CUS is ETMY, etc.

To ISC Clock Fanout IX4-30-7

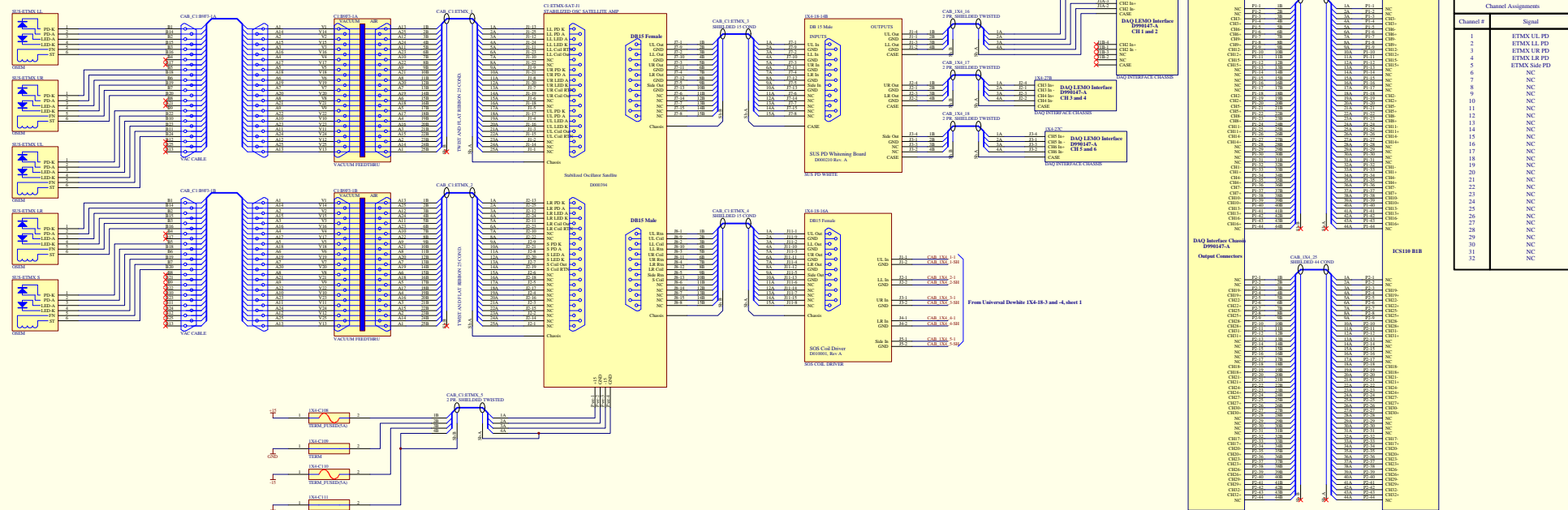
3113, Sheet 4

XY220, FE Crate, Sht 4

XY220, FE Crate, Sht 4

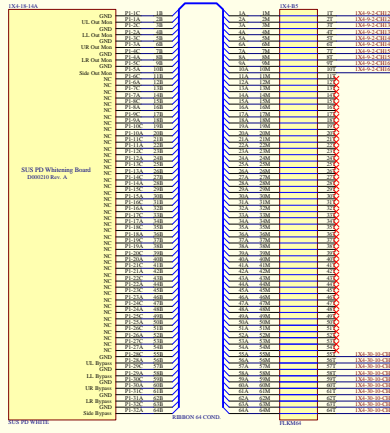


ETMX



Chained Assignments	
Channel #	Signal
1	ETMX L1 PD
2	ETMX L1 PD
3	ETMX UR PD
4	ETMX LR PD
5	ETMX Side PD
6	NC
7	NC
8	NC
9	NC
10	NC
11	NC
12	NC
13	NC
14	NC
15	NC
16	NC
17	NC
18	NC
19	NC
20	NC
21	NC
22	NC
23	NC
24	NC
25	NC
26	NC
27	NC
28	NC
29	NC
30	NC
31	NC
32	NC

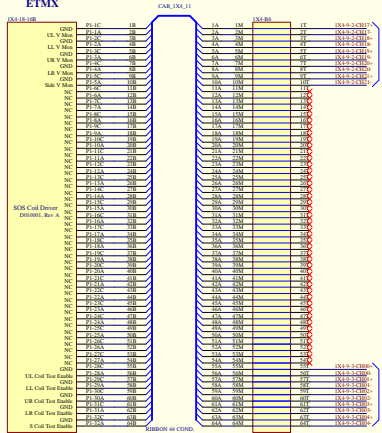
ETMX



313, Sheet 4

XY220 FE Crate Sheet 4

ETMX



313, Sheet 4

XY220, Aux Crate, Sht 4

