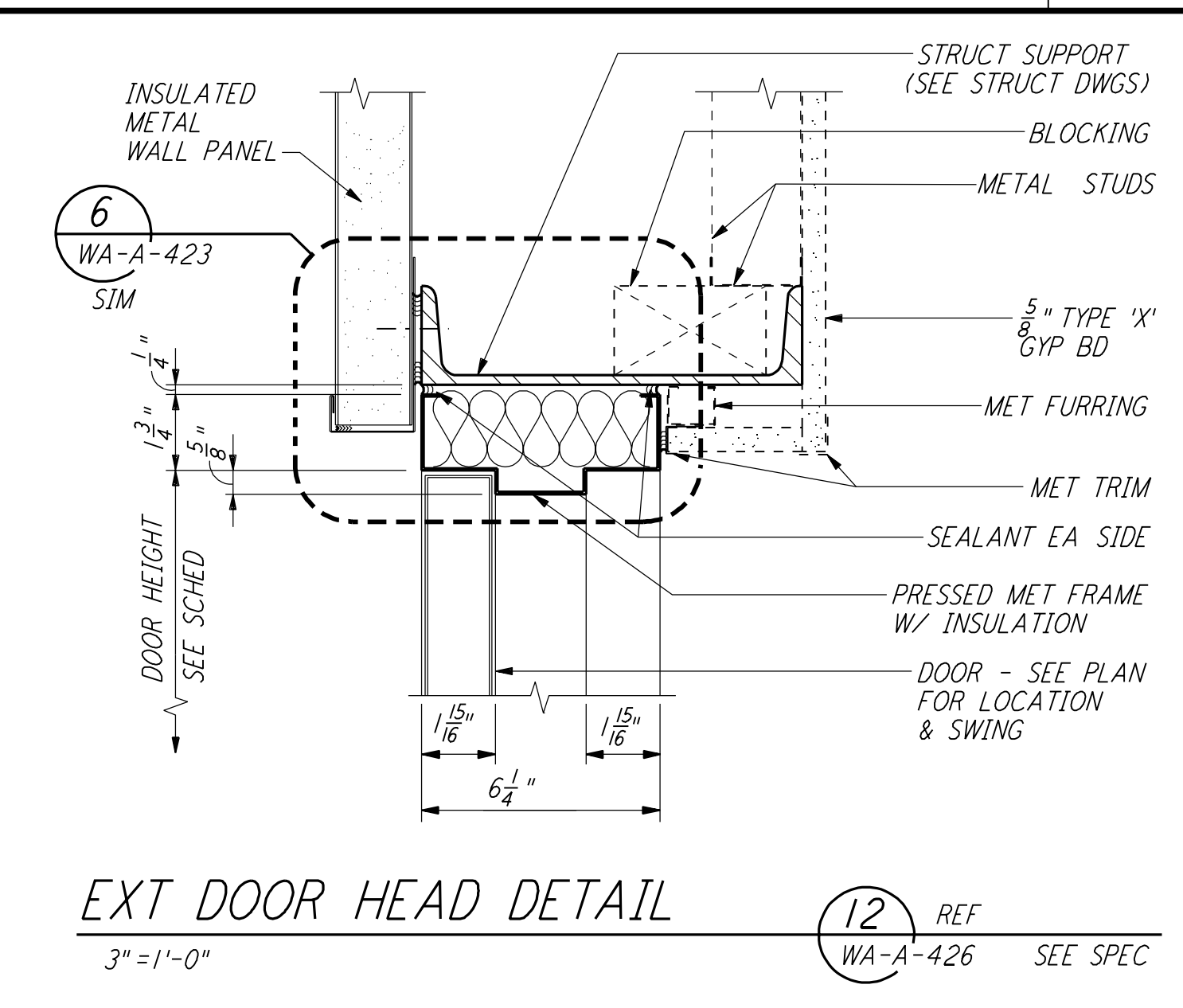
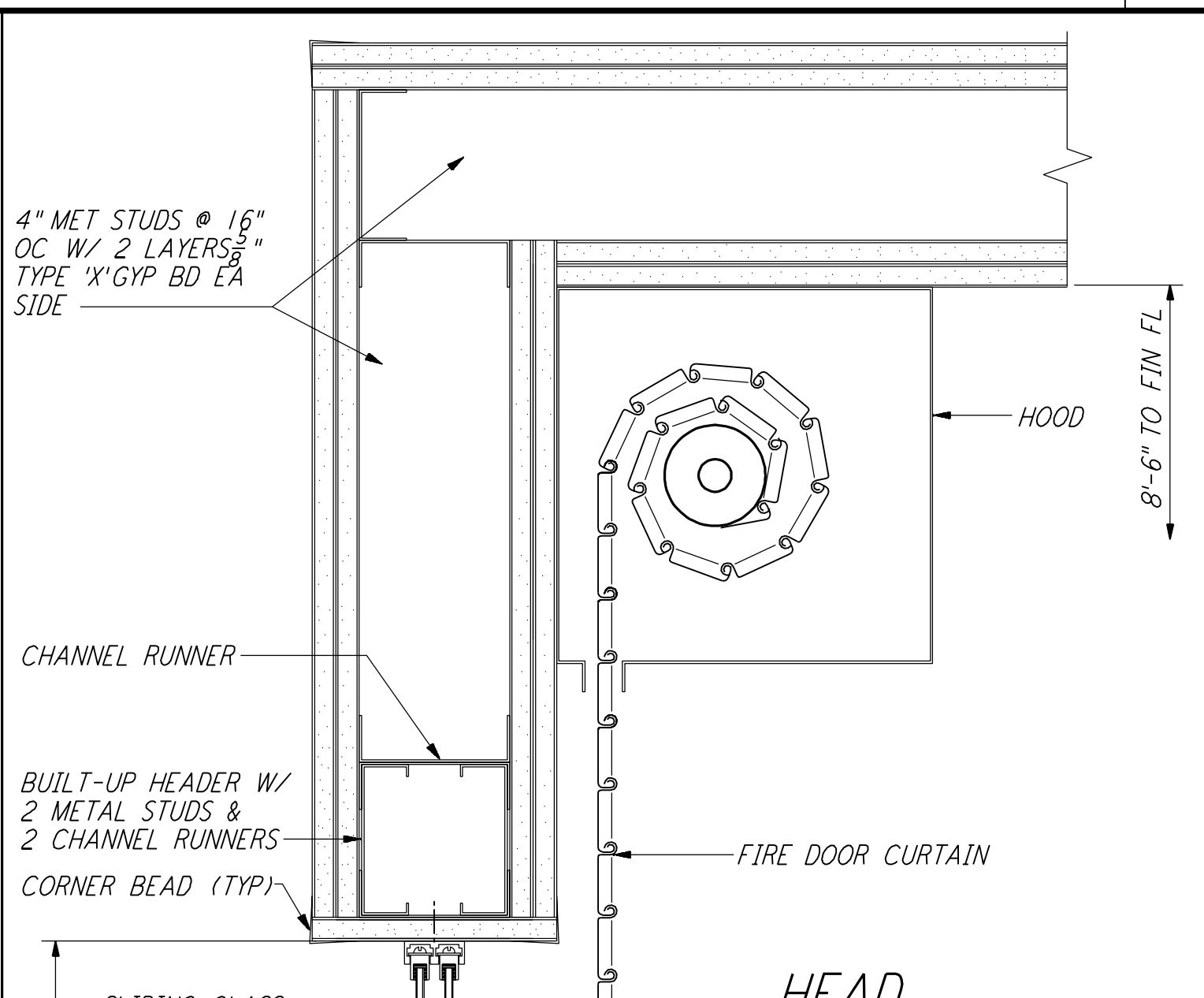


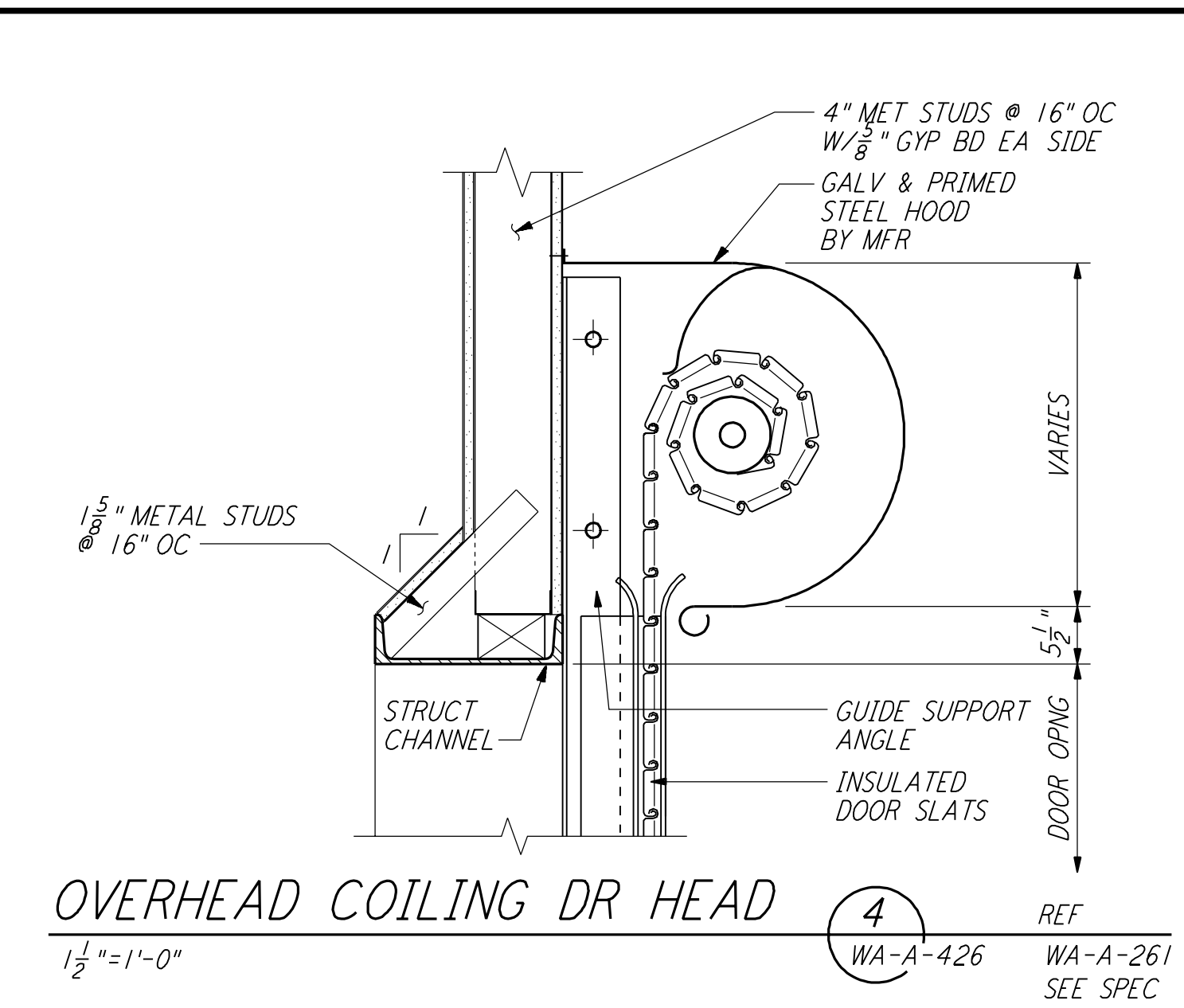
HEAD @ SLIDING FIRE DOOR (16) REF
 1 1/2" = 1'-0" WA-A-426 SEE SPEC



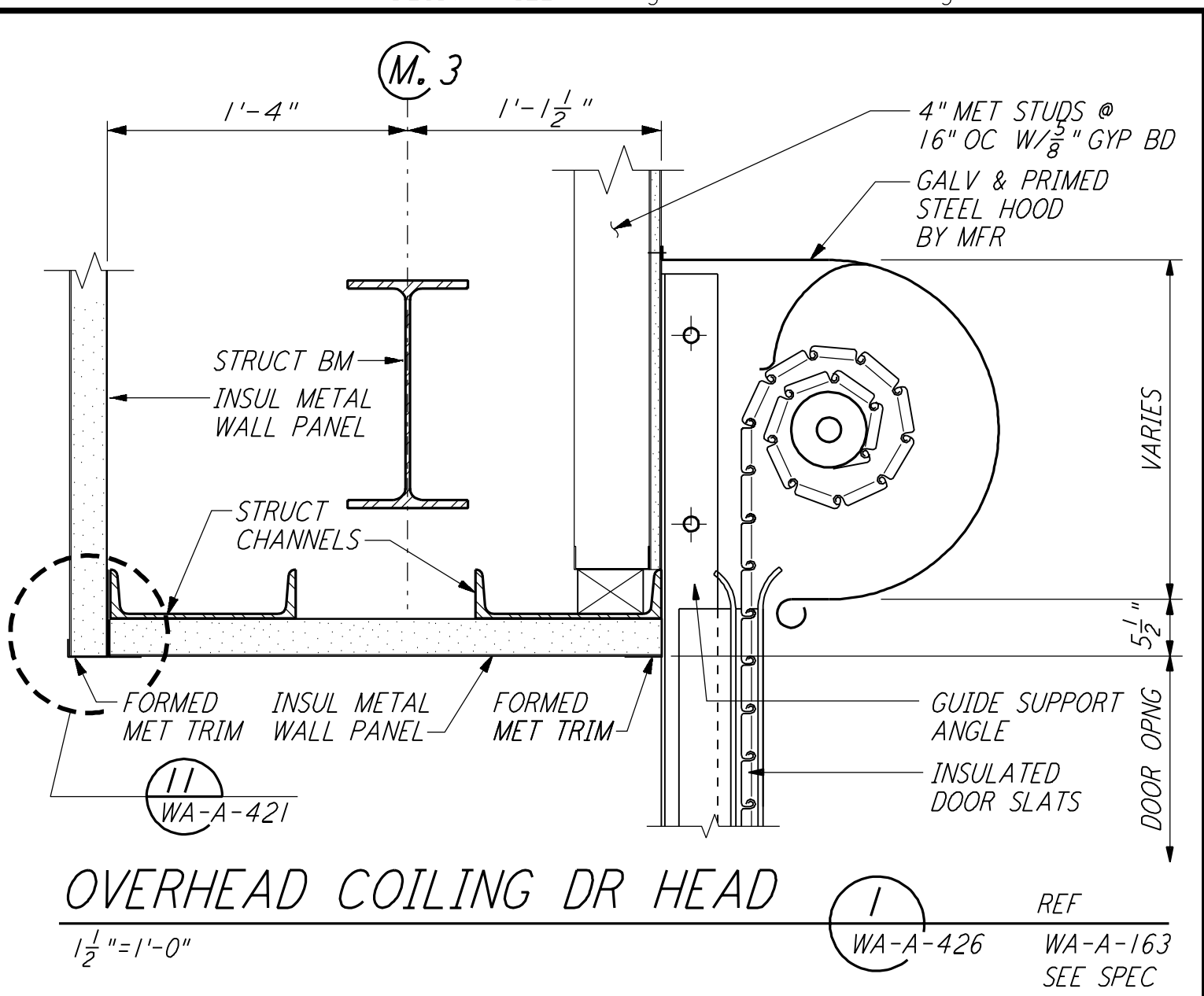
EXT DOOR HEAD DETAIL (12) REF
 3" = 1'-0" WA-A-426 SEE SPEC



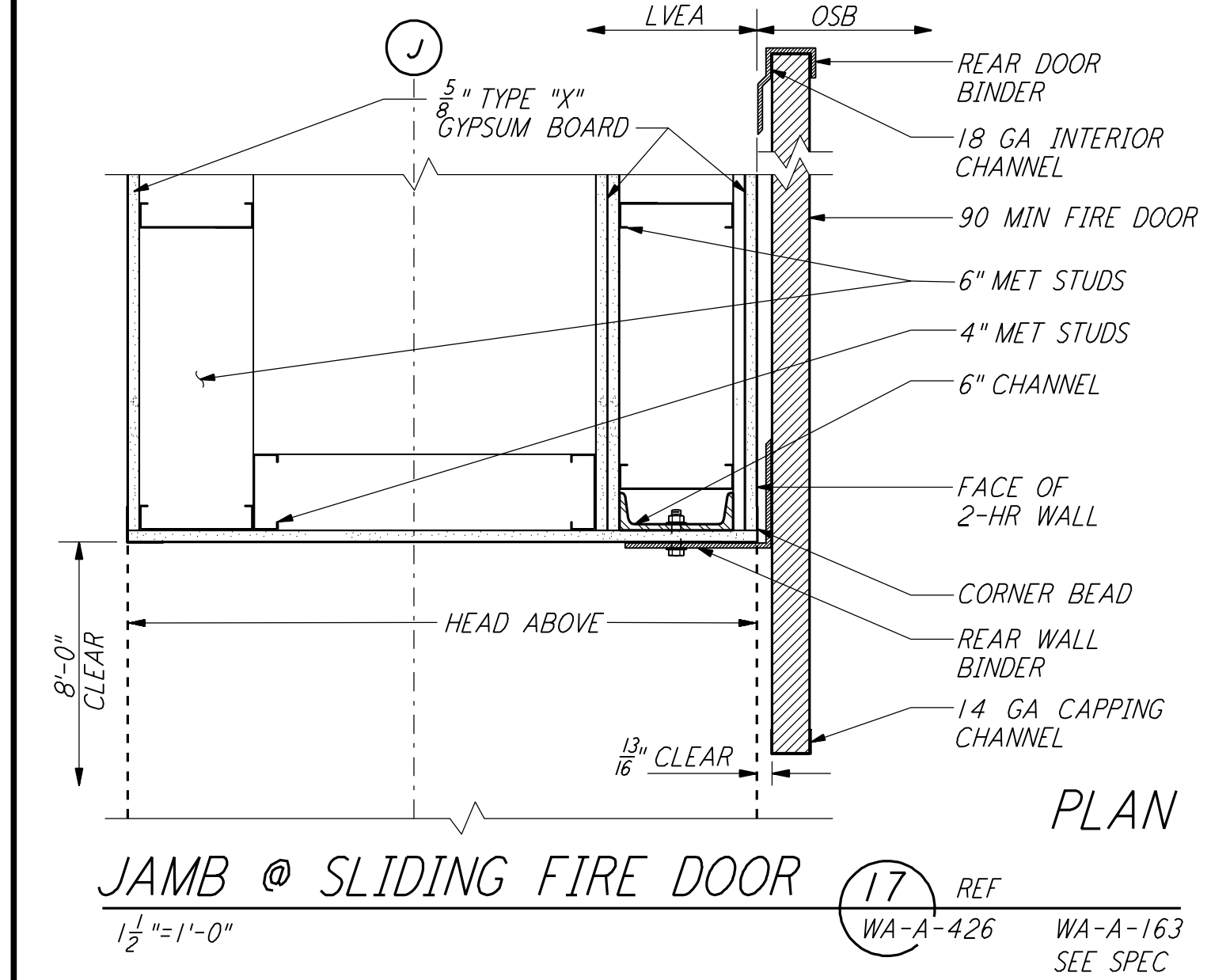
WINDOW FIRE SHUTTER (9) REF
 3" = 1'-0" WA-A-426 WA-A-162 SEE SPEC



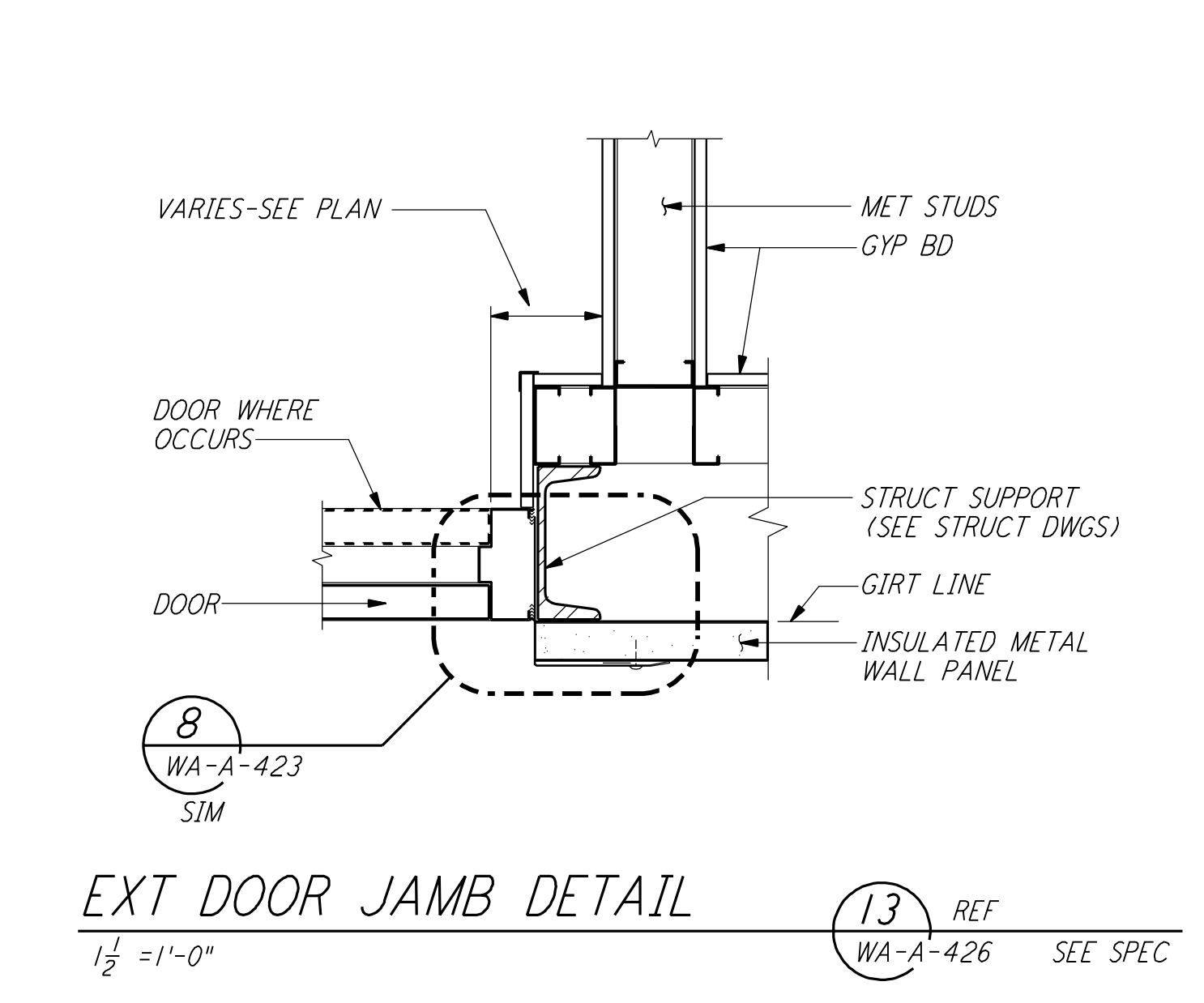
OVERHEAD COILING DR HEAD (4) REF
 1 1/2" = 1'-0" WA-A-426 WA-A-261 SEE SPEC



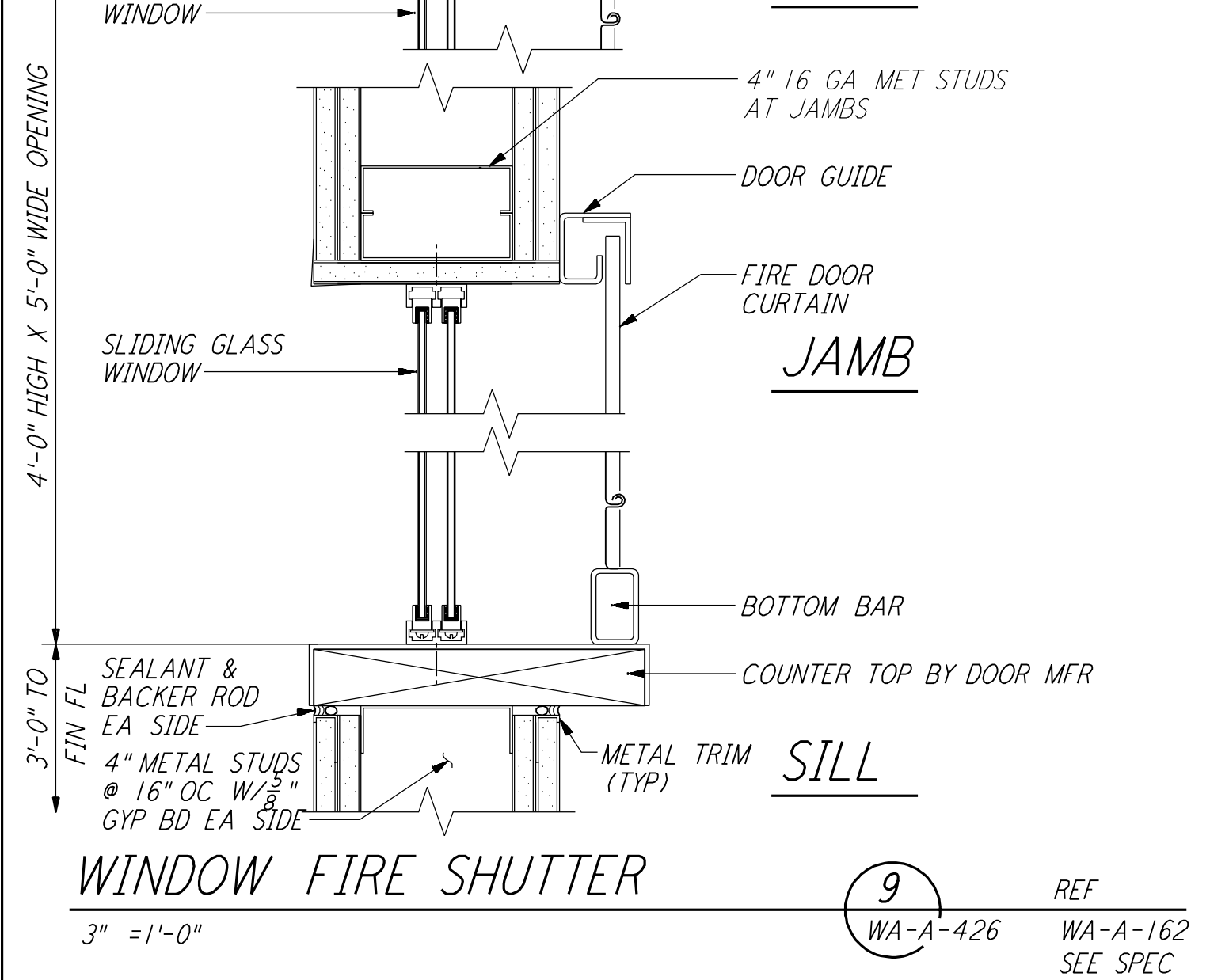
OVERHEAD COILING DR HEAD (1) REF
 1 1/2" = 1'-0" WA-A-426 WA-A-163 SEE SPEC



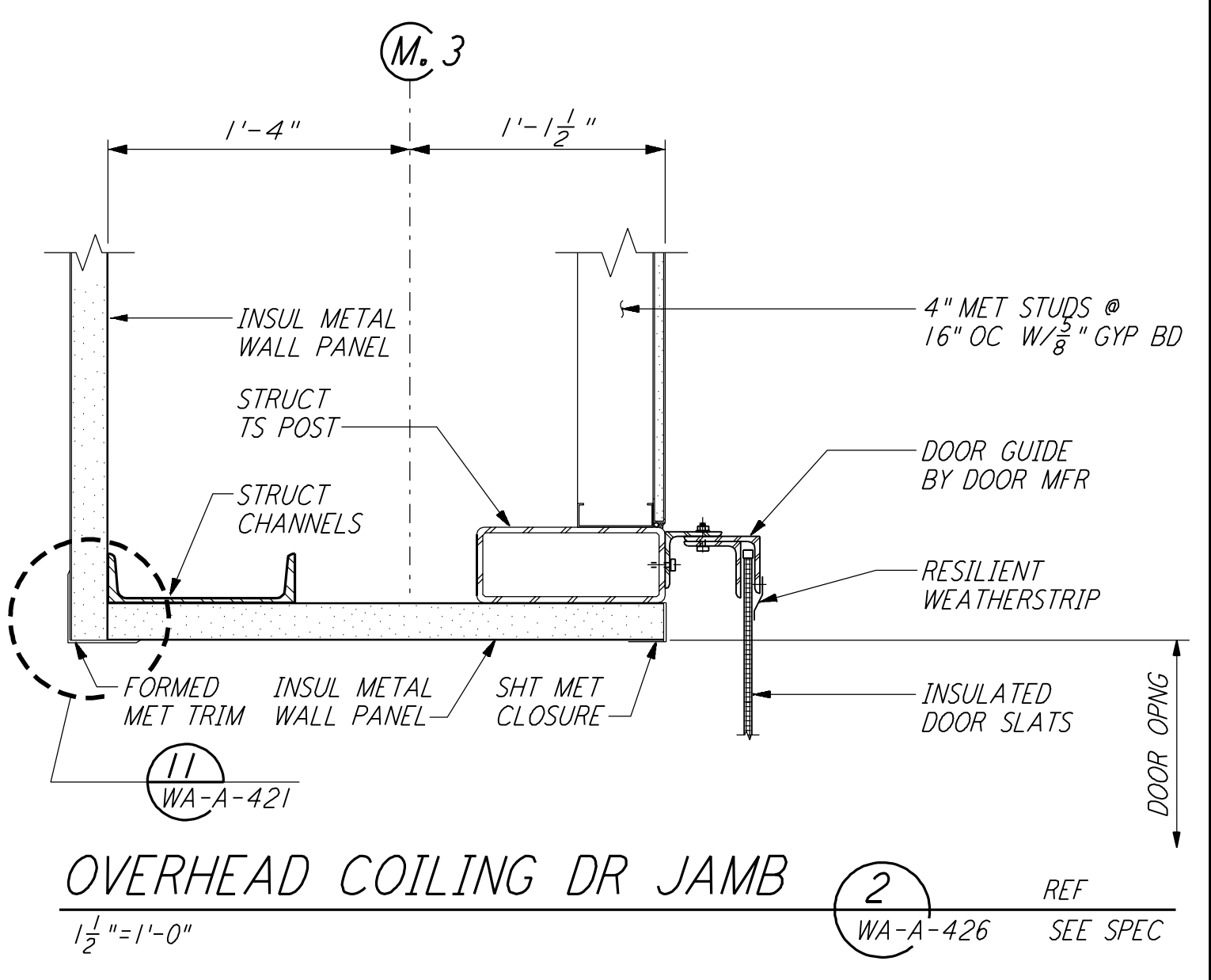
JAMB @ SLIDING FIRE DOOR (17) REF
 1 1/2" = 1'-0" WA-A-426 WA-A-163 SEE SPEC



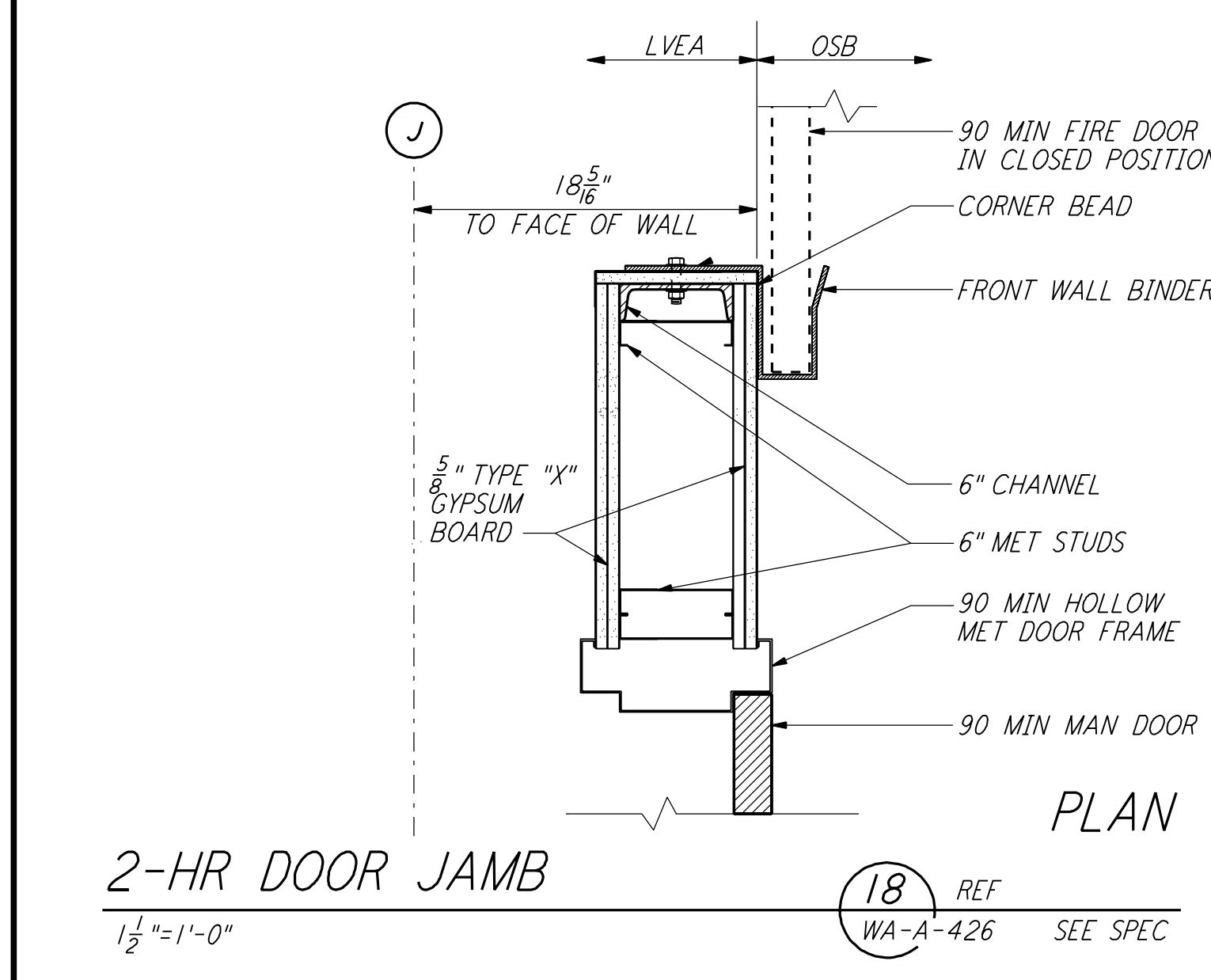
EXT DOOR JAMB DETAIL (13) REF
 1 1/2" = 1'-0" WA-A-426 SEE SPEC



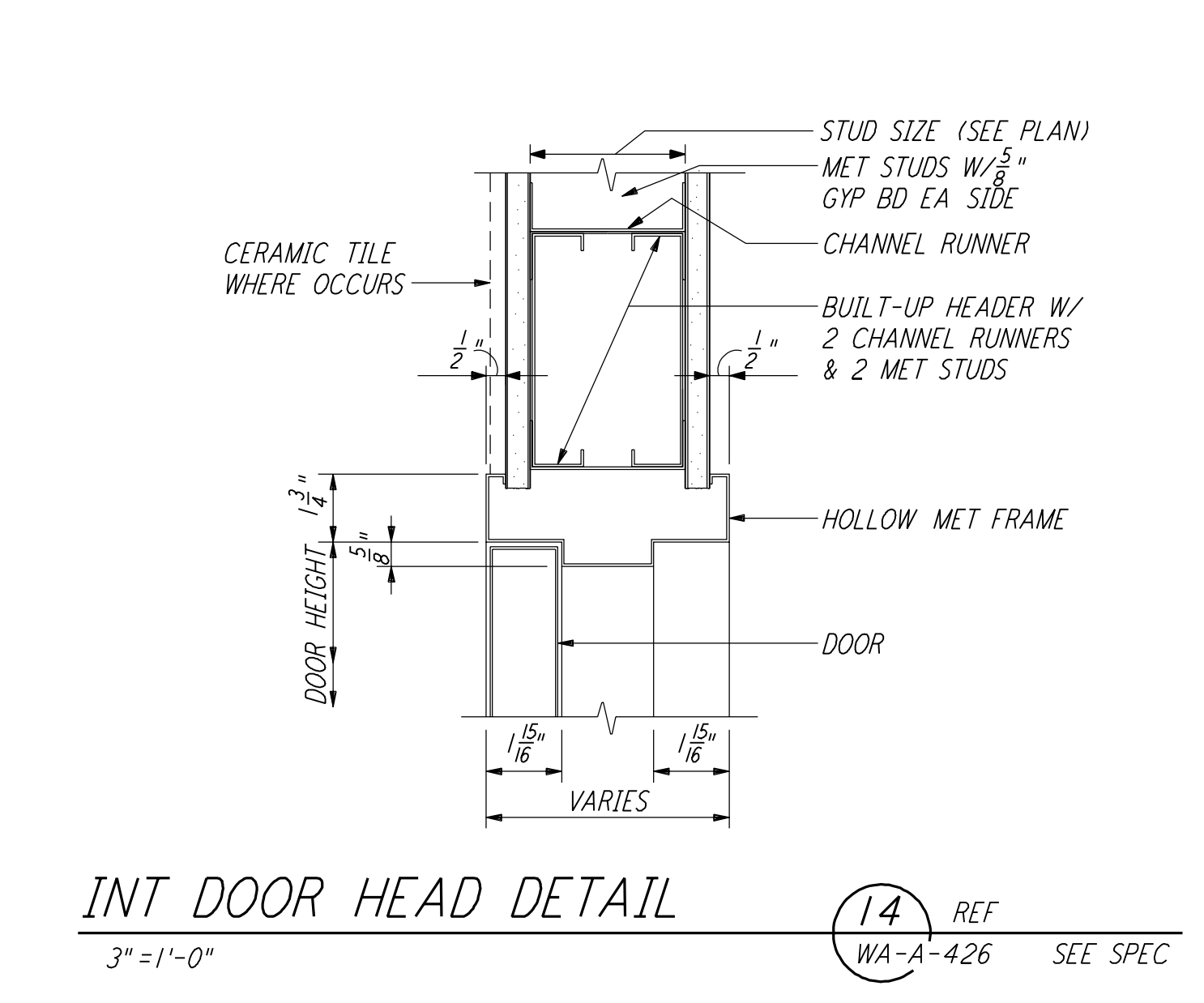
OVERHEAD COILING DR JAMB (5) REF
 1 1/2" = 1'-0" WA-A-426 SEE SPEC



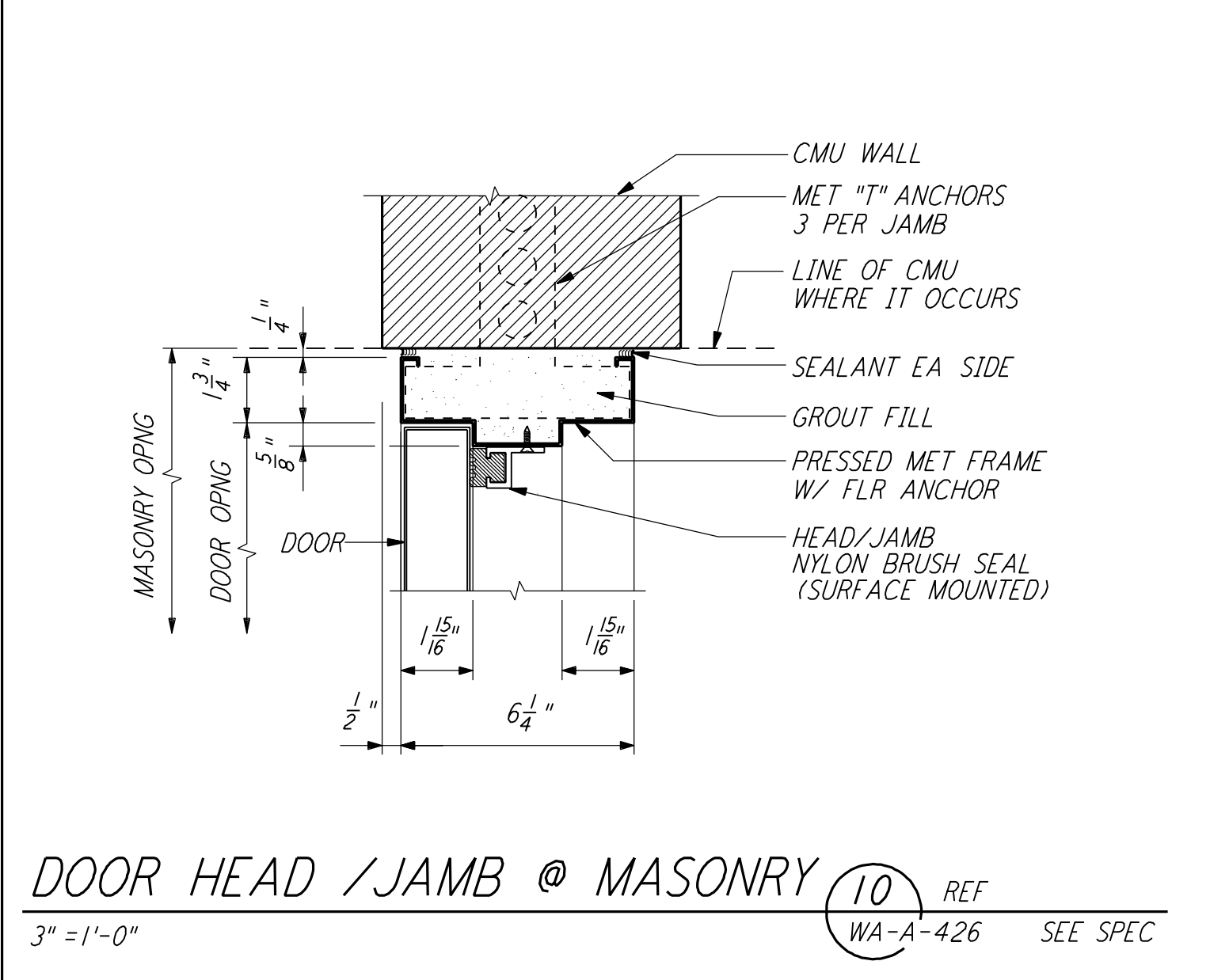
OVERHEAD COILING DR JAMB (2) REF
 1 1/2" = 1'-0" WA-A-426 SEE SPEC



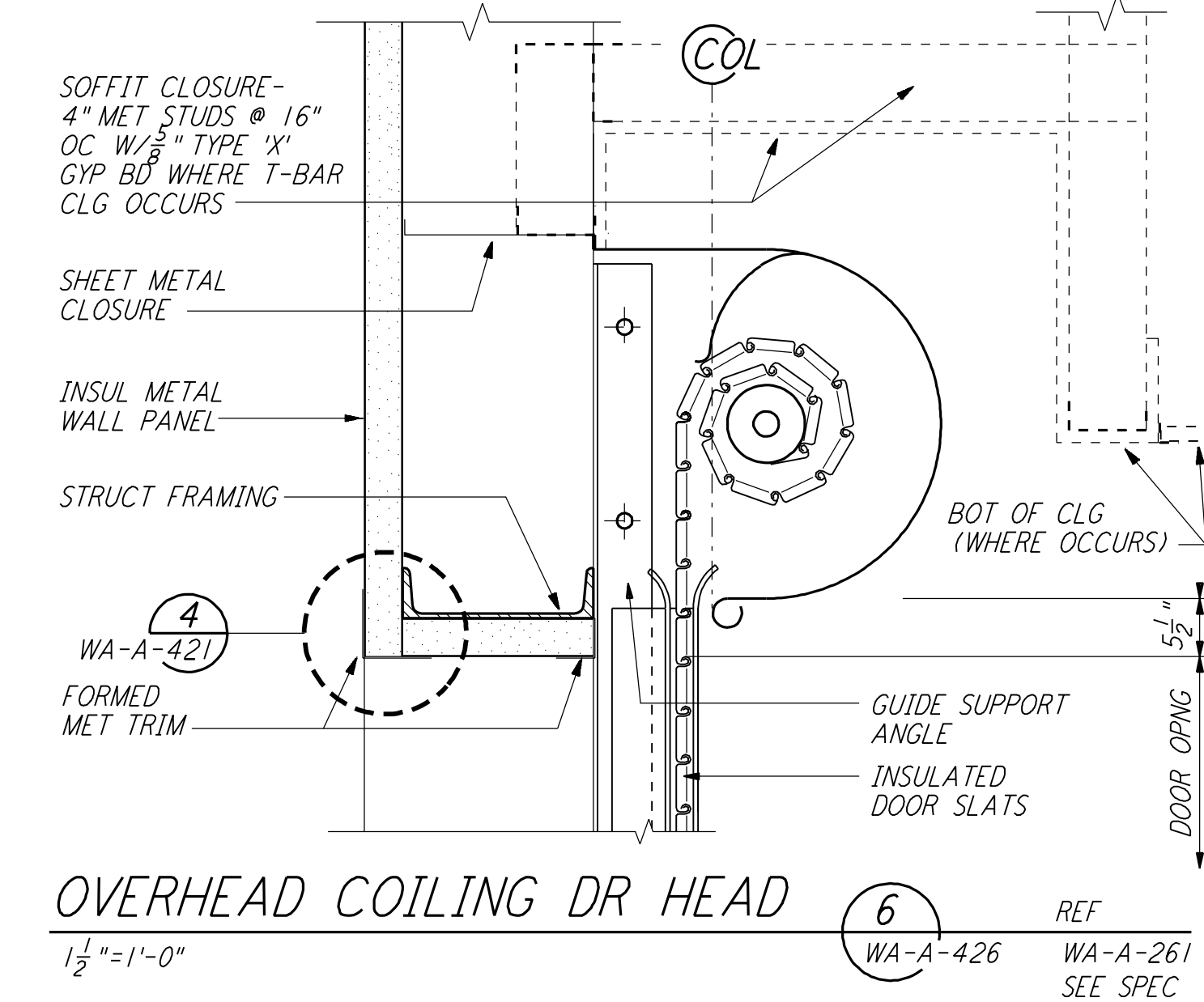
2-HR DOOR JAMB (18) REF
 1 1/2" = 1'-0" WA-A-426 SEE SPEC



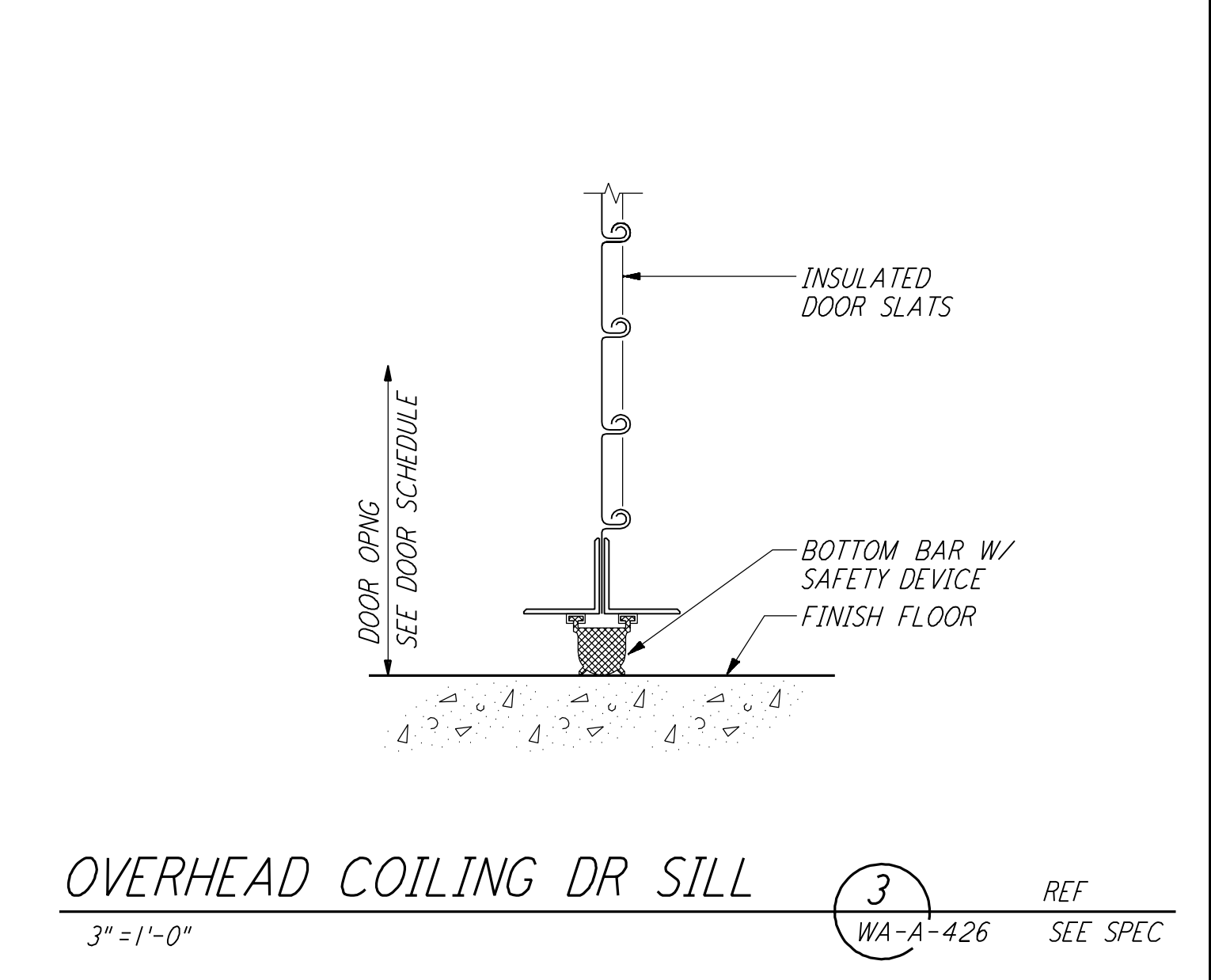
INT DOOR HEAD DETAIL (14) REF
 3" = 1'-0" WA-A-426 SEE SPEC



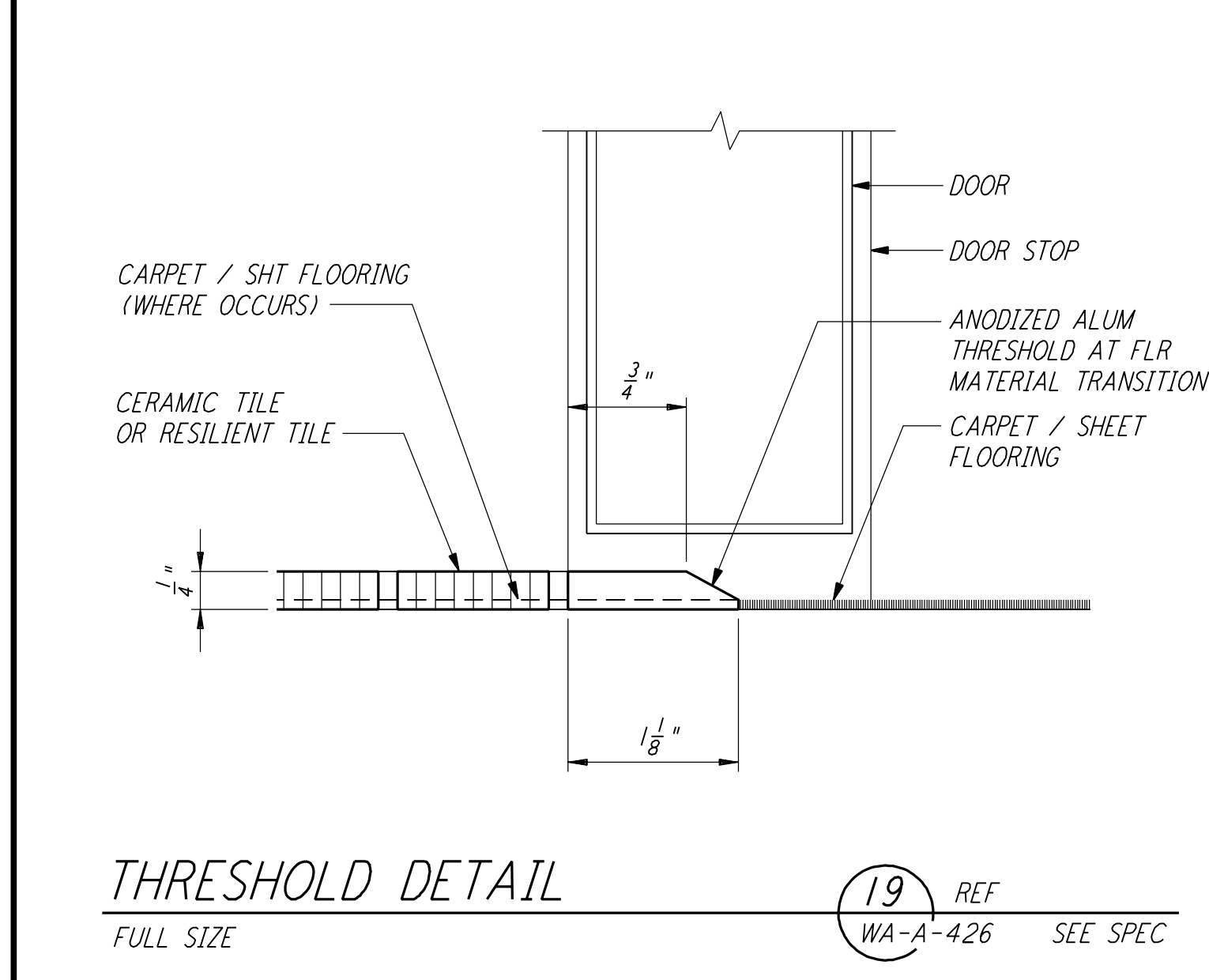
DOOR HEAD / JAMB @ MASONRY (10) REF
 3" = 1'-0" WA-A-426 SEE SPEC



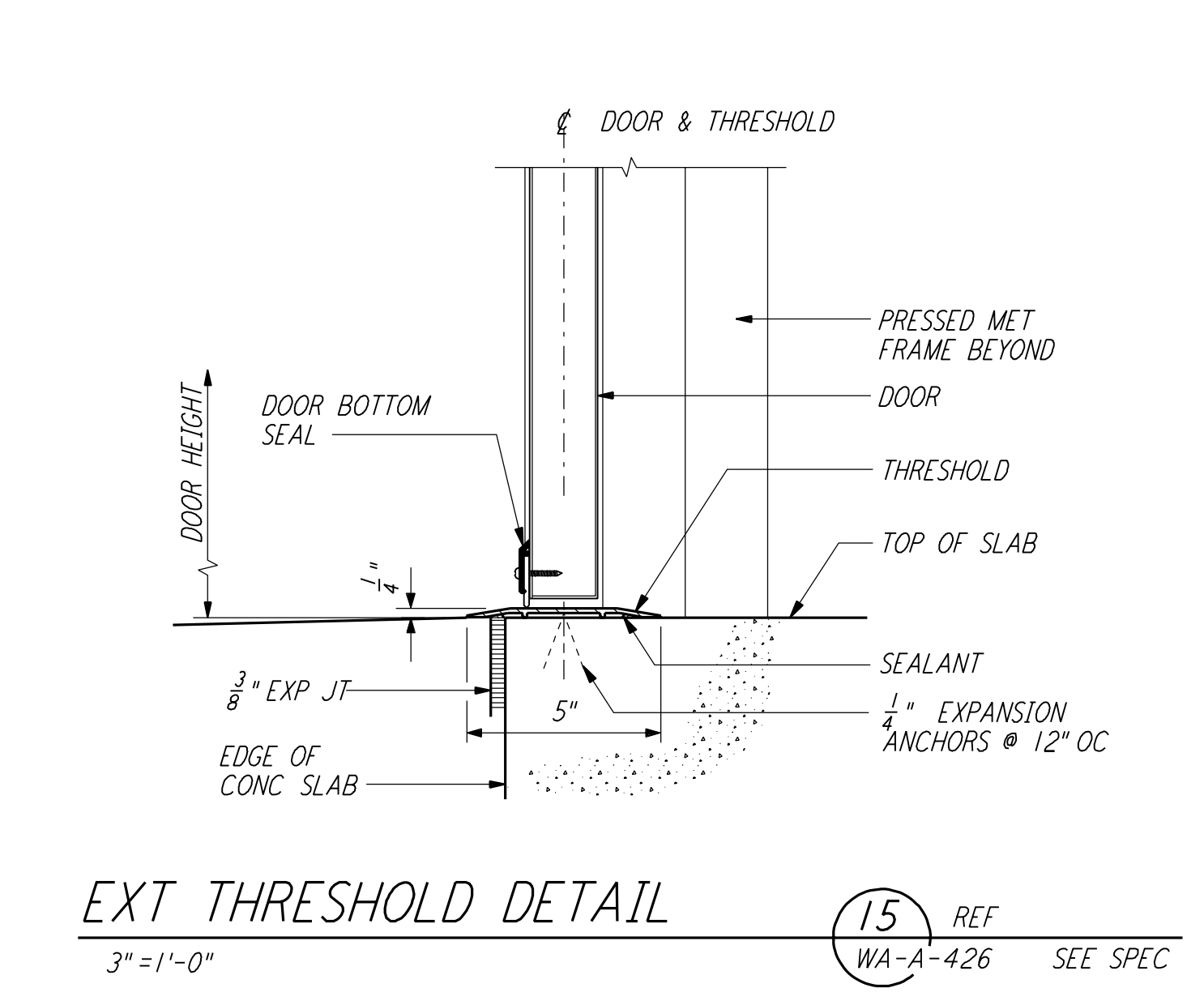
OVERHEAD COILING DR HEAD (6) REF
 1 1/2" = 1'-0" WA-A-426 WA-A-261 SEE SPEC



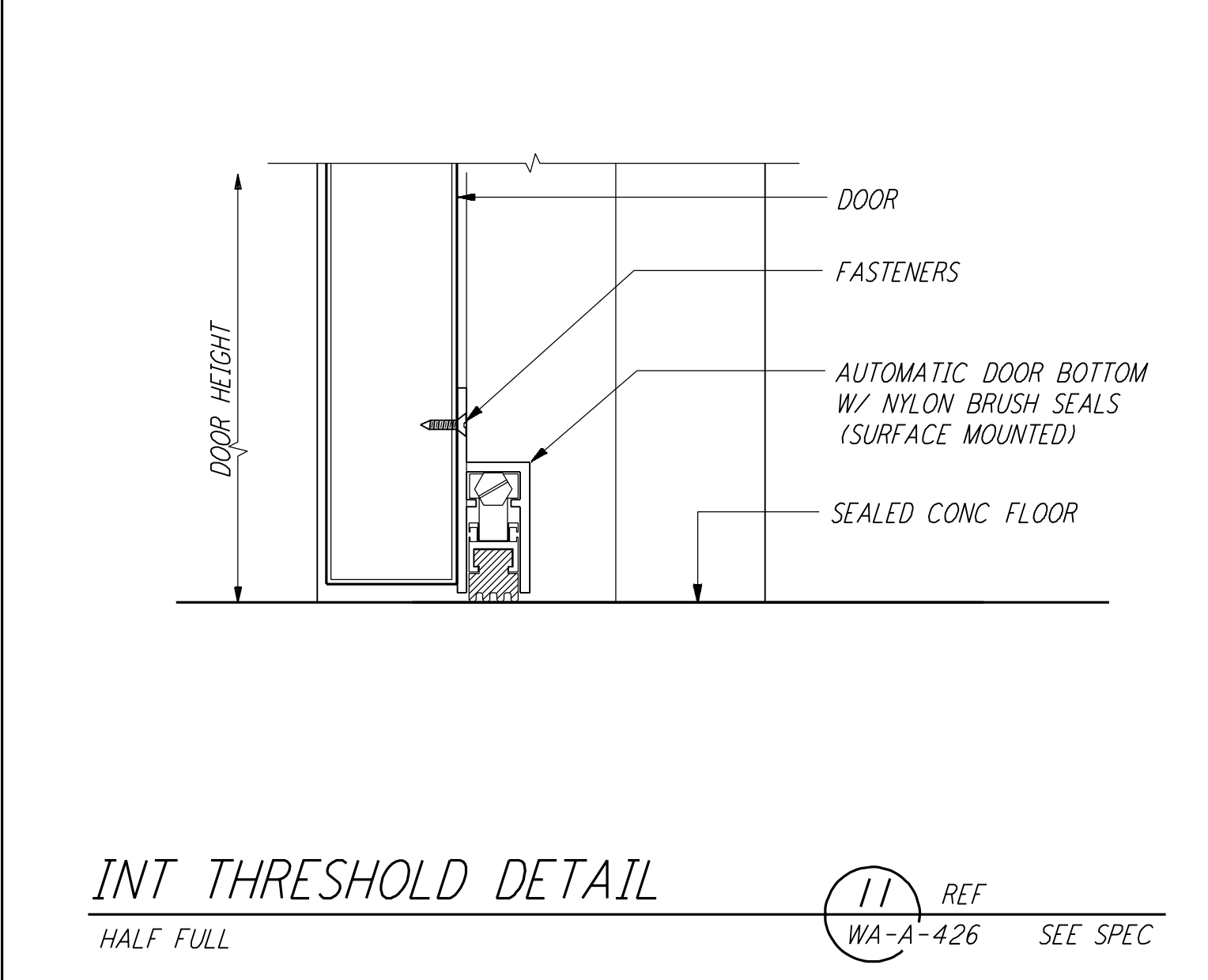
OVERHEAD COILING DR SILL (3) REF
 3" = 1'-0" WA-A-426 SEE SPEC



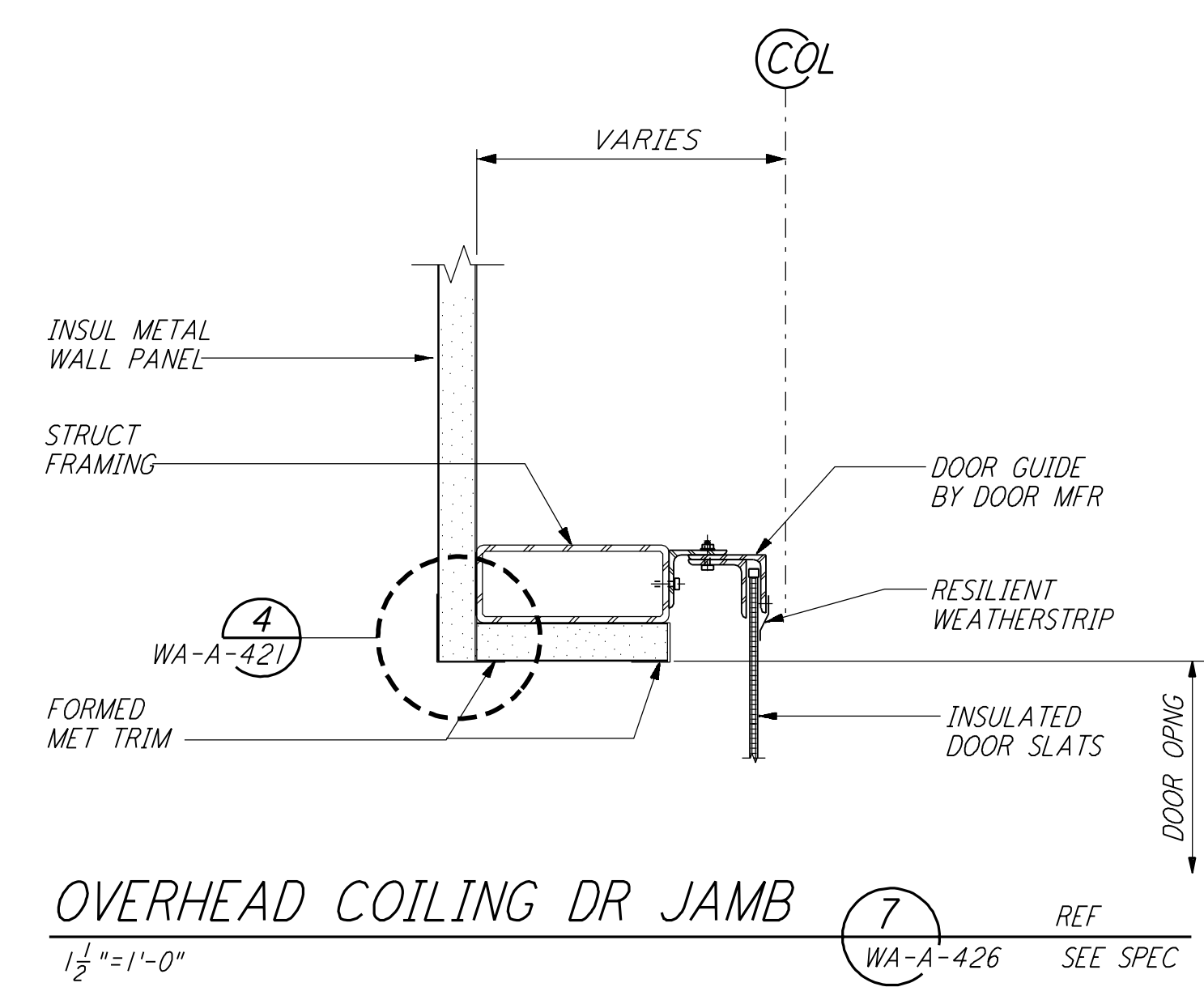
THRESHOLD DETAIL (19) REF
 FULL SIZE 1 1/2" = 1'-0" WA-A-426 SEE SPEC



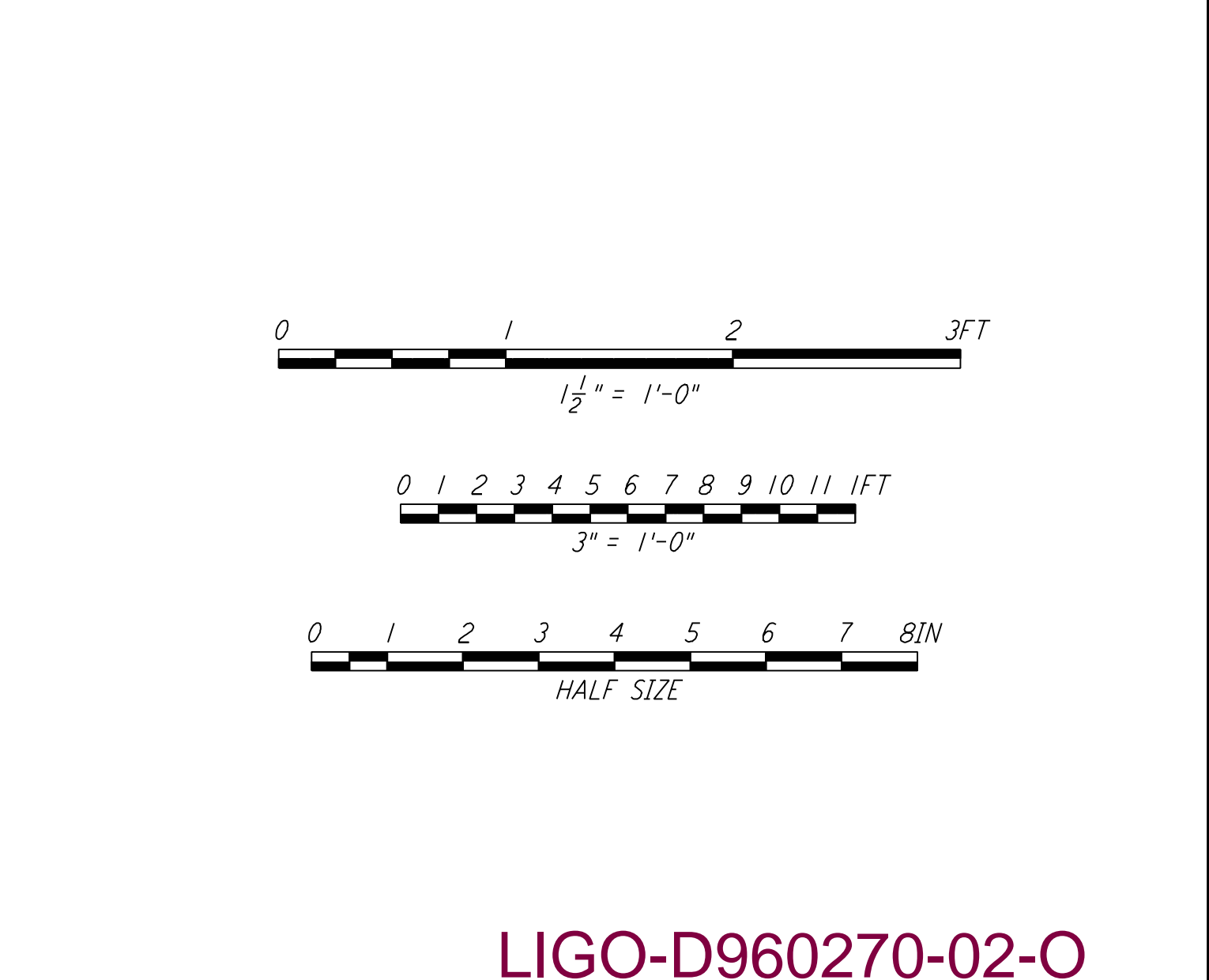
EXT THRESHOLD DETAIL (15) REF
 3" = 1'-0" WA-A-426 SEE SPEC



INT THRESHOLD DETAIL (11) REF
 1 1/2" = 1'-0" WA-A-426 SEE SPEC



OVERHEAD COILING DR JAMB (7) REF
 1 1/2" = 1'-0" WA-A-426 SEE SPEC



OVERHEAD COILING DR SILL (3) REF
 3" = 1'-0" WA-A-426 SEE SPEC

This document and the design it covers are the property of PARSONS. They are loaned only with the borrower's expressed written agreement that they will not be reproduced, copied, loaned, exhibited, or used in any other way, except by written consent from PARSONS to the borrower.

NO.	DATE	BY	CHKD	ENGR	PROJ	DESCRIPTION
2	5-15-98	CKT				ISSUED FOR AS-BUILT
1	2-28-97	CKT	TB	AK	TDM	ACCESS DOOR TO VSEA'S

ISSUED FOR CONSTRUCTION			
DRAWN	SH/RR	5-12-96	
CHECKED	TB	5-26-96	
ENGINEER	bkk	7-12-96	
PROJ	MOW	7-12-96	

AS-BUILT DRAWINGS

PARSONS
 100 WEST WALNUT STREET
 PASADENA, CALIFORNIA

LIGO
 CALIFORNIA INSTITUTE OF TECHNOLOGY
 MASSACHUSETTS INSTITUTE OF TECHNOLOGY

LIGO-D960270-02-0
 LASER INTERFEROMETER
 GRAVITATIONAL-WAVE OBSERVATORY
 SITE NO. 1 - HANFORD, WASHINGTON

TITLE	SCALE	CONTRACT NUMBER	PROJECT NUMBER
ARCHITECTURAL DOOR DETAILS	AS NOTED	PP150969	8094
SHEET NUMBER	REVISIONS		
WA-A-426			