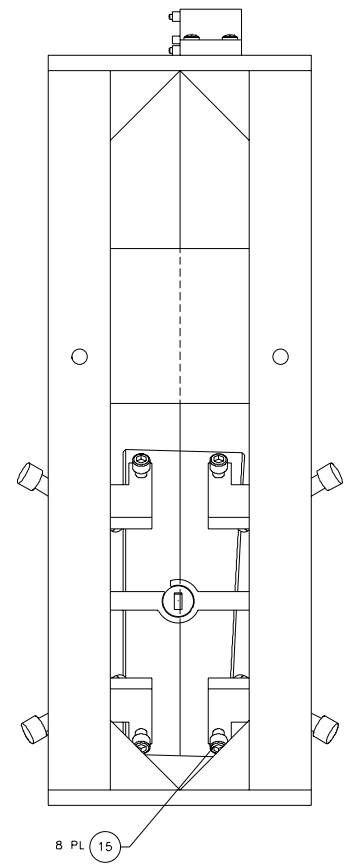
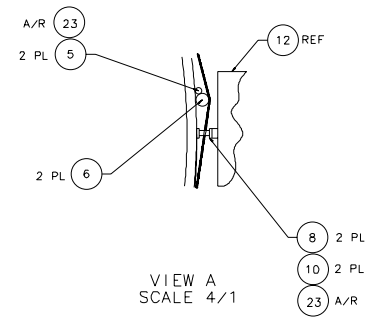
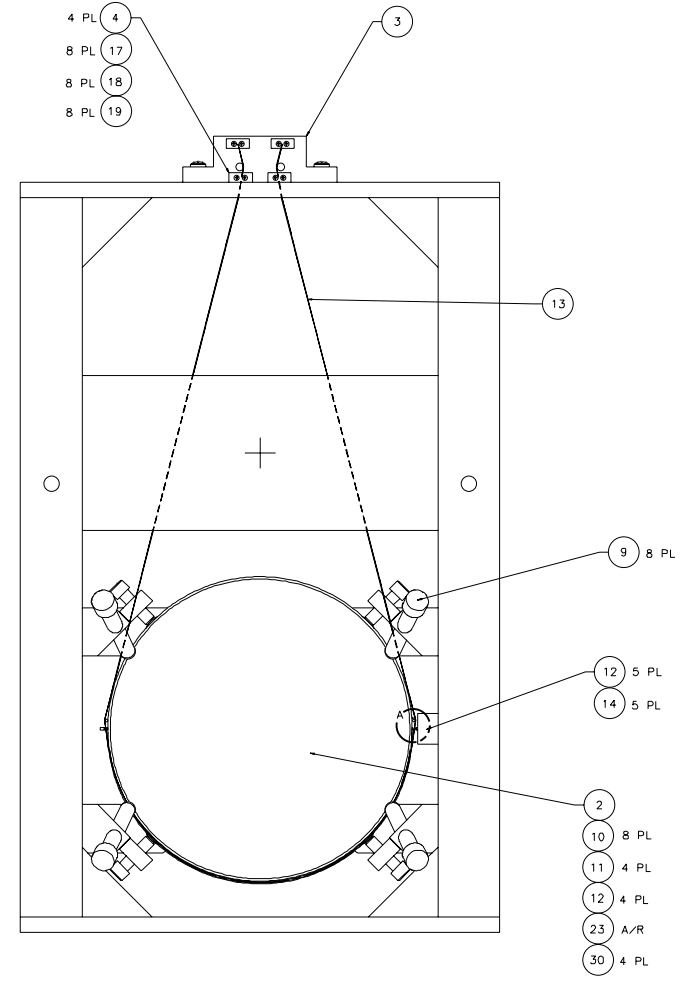
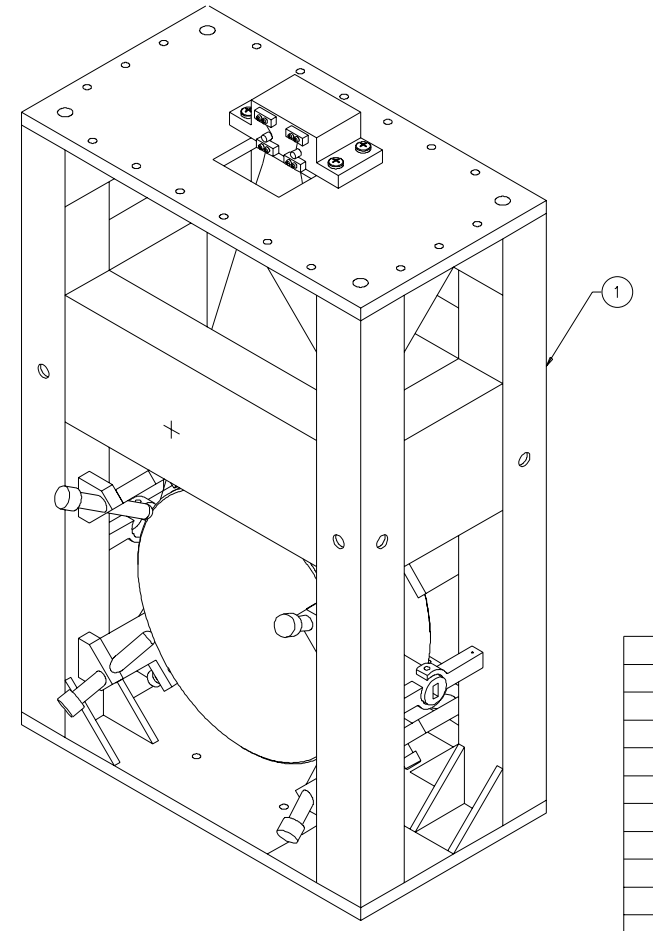
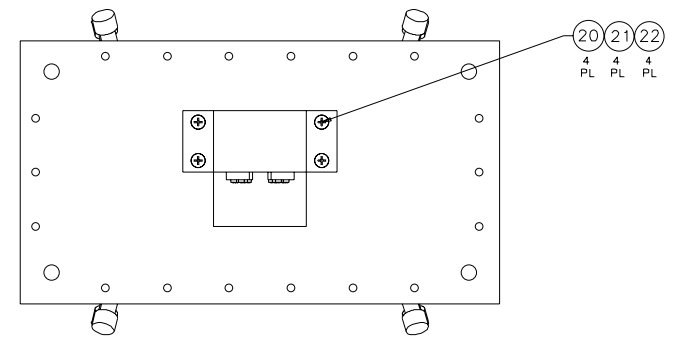


NOTES: (UNLESS OTHERWISE SPECIFIED)
 1. SPECIFICATIONS FOR THE CONSTRUCTION OF THIS ASSEMBLY ARE COVERED IN THE LARGE OPTIC SUSPENSION BALANCING SPECIFICATION, LIGO E970154.
 ② MATERIAL: CONDUCTIVE TEFLON, MANUF. BY FURON DIXON, 386 METACOM AVE., BRISTOL, RI, 02809, (401)253-2000, AND DESIGNATED BY THE NAME FURON DIXON COMPOUND 1042.
 ③ HEIGHT ADAPTER IS NOT SHOWN FOR CLARITY. IT IS BOLTED TO THE TOP OF THE LOS STRUCTURE ASSEMBLY USING THE HARDWARE ITEM NOS. 25-28. INSTRUCTIONS INCLUDED IN LIGO E970154.

REV	DATE	DRAWN BY	CHECKED	DCC	DCN/DESCRIPTION
A	1/19/98	J. Hazel		L. Turner	E980004/INITIAL RELEASE
B	4/8/98	C. Conley			E980077/UPDATE PARTS LIST



	D970180	WINCH FIXTURE		41
	D960761	FIXTURE, LIFTING		40
	D970074	FIXTURE, MAGNET-TO-DUMBBELL STANDOFF		39
	D960763	FIXTURE, TEST MASS		38
	D960752	FIXTURE, OPTICAL LEVELER		37
	D960753	FIXTURE, WIRE AND OPTICS		36
	D960147	FIXTURE, GUIDE ROD		35
	D960050	FIXTURE, MAGNET/STANDOFF ASSY		34
	D970169	MAGNET STRENGTH FIXTURE		33
	D970616	COIL STRENGTH FIXTURE		32
				31
	D970615	PAM SCREW		30
				29
18		1/4-20 x 1.5 LG SHCS	STAINLESS, Ag PLTD	28
18		1/4-20 LOCK WASHER	STAINLESS, AG PLTD	27
18		1/4-20 FLAT WASHER	STAINLESS, AG PLTD	26
12		1/4-20 HEX NUT	STAINLESS	25
1	D960145	HEIGHT ADAPTER	③	24
A/R		EPOXY, VAC-SEAL		23
4	COMMERCIAL EQUIV NAS620416L	WASHER, FLAT, #1/4	STAINLESS	22
4	COMMERCIAL EQUIV MS35338-139	WASHER, SPLIT LOCK, #1/4	STAINLESS	21
4	U-C COMPONENTS P/N C-2016-NA	SCREW, SHCS, 1/4-20 x 1.00	STAINLESS, Ag PLTD	20
8	COMMERCIAL EQUIV NAS620C4L	WASHER, FLAT, #4	STAINLESS	19
8	COMMERCIAL EQUIV MS35338-135	WASHER, SPLIT LOCK, #4	STAINLESS	18
8	U-C COMPONENTS P/N C-412-NA	SCREW, SHCS, 4-40 x .75	STAINLESS, Ag PLTD	17
				16
8		SCREW, HEX HEAD, 3/8-16 x 1.50	②	15
6	U-C COMPONENTS P/N T-1003-NA	SET SCREW, SOCKET, 10-32 x .188	STAINLESS, Ag PLTD	14
A/R		WIRE, ϕ .0120 \pm -.0003*	MUSIC WIRE	13
5	D960138	SENSOR/ACTUATOR HEAD ASSEMBLY		12
4	D970075	DUMBBELL STANDOFF		11
10	D960501	MAGNET		10
8	D960499	LOS CHAMFER STOP		9
2	D960149	LOS SIDE STANDOFF		8
				7
2	D960755	LOS LARGE WIRE STANDOFF		6
1	D960146	LOS GUIDE ROD		5
4	D960134	LOS CLAMP, SUSPENSION BLOCK		4
1	D960144	LOS SUSPENSION BLOCK		3
1	COATING SPEC E980068	OPTIC, ϕ 25cm x 10cm THICK	[END TEST MASS]	2
1	D960133	LOS STRUCTURE ASSEMBLY		1

NEXT ASSEMBLY	MATERIAL	FINISH	FILE LOCATION
FINAL	N/A	N/A	home/dcc/docs/D960132.pdf

APPROVALS	DATE	TITLE
J. Hazel	5/98	LIGO CALIFORNIA INSTITUTE OF TECHNOLOGY MASSACHUSETTS INSTITUTE OF TECHNOLOGY

DO NOT SCALE DRAWING

REV	DATE	DESCRIPTION
A		
B		

SCALE 1/2 SHEET 1 OF 1