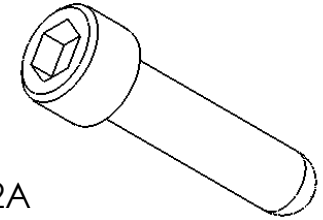
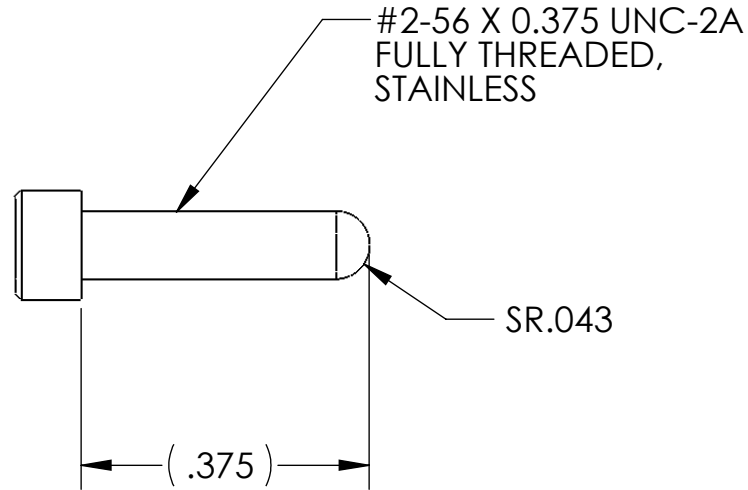
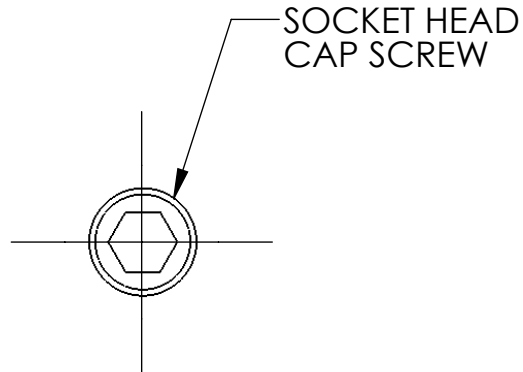


REV.	DATE	DCN #	DRAWING TREE #
A	12 AUG 2008	E080415-00-D	



NOTES: (UNLESS OTHERWISE SPECIFIED)			DIMENSIONS ARE IN INCHES		CALIFORNIA INSTITUTE OF TECHNOLOGY LIGO MASSACHUSETTS INSTITUTE OF TECHNOLOGY IGR, GLASGOW UNIVERSITY GEO 600 GROUP	
1. DO NOT SCALE FROM DRAWING. 2. REMOVE ALL SHARP EDGES, R.02 MAX. 3. ALL MACHINING FLUIDS SHALL BE WATER SOLUBLE AND FREE OF SULFUR, CHLORINE AND SILICONE. 4. BAG ALL ITEMS INDIVIDUALLY AND TAG EACH BAG WITH DRAWING NUMBER, REVISION, AND QUANTITY EXAMPLE: D080468-A; QTY: 1bd			TOLERANCES:		SYSTEM ADVANCED LIGO	
			.XX ± 0.01		SUB-SYSTEM SUS	
			.XXX ± 0.005		NEXT ASSY D080407	
			ANGULAR ± 0.5 °		PART NAME SHCS, ROUNDED END	
MATERIAL 300 SSSL			FINISH		SIZE A DWG. NO. D080468 REV. A	
DRAWN M. MEYER 31 JUL 2008			CHECKED D. BRIDGES 11 AUG 2008		SCALE: 4:1 PROJECTION:	
APPROVED					SHEET 1 OF 1	