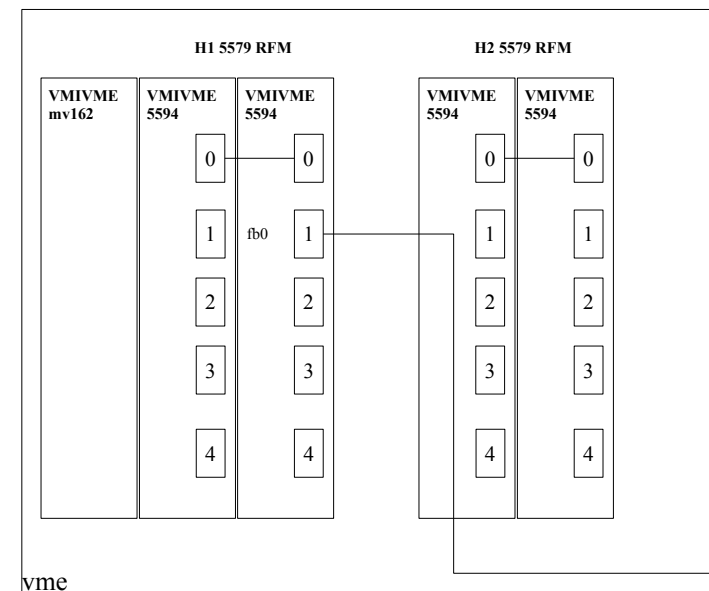
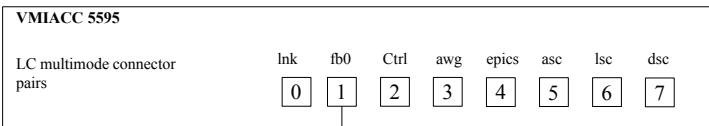


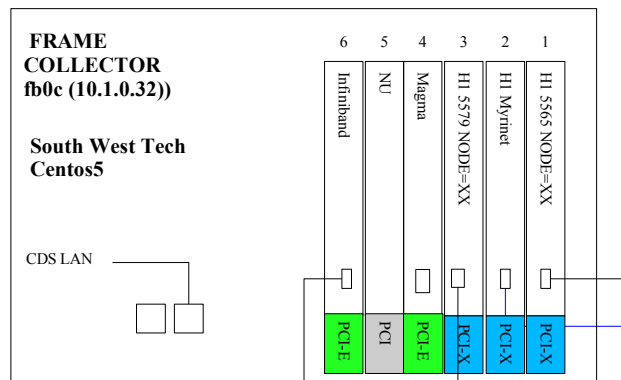
Rack MSR-2

H1 5595-0

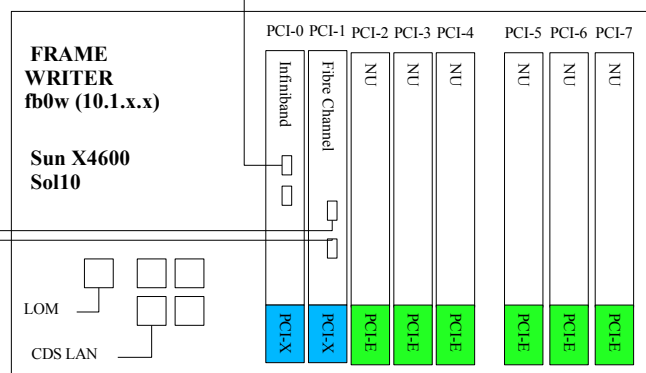
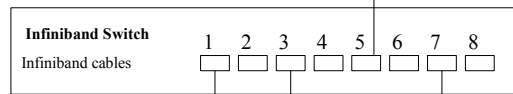


Rack MSR-10

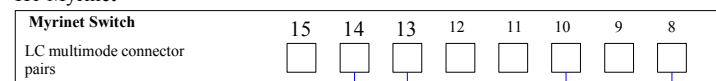
H1-DAQ-RFM_210/211 (MM LC-LC)



H1-DAQ-RFM_412/413 (MM SC-SC)



H1 Myrinet



H1 ISI

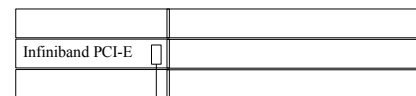
H1 OMC

FB1 SPARC FRAMEBILDER

NDS nds1 (10.1.0.36)

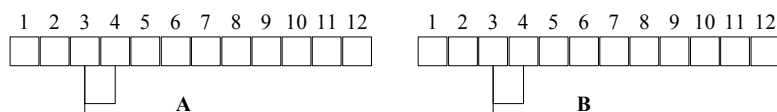
Penguin Altus 2600SA Centos5

CDS LAN



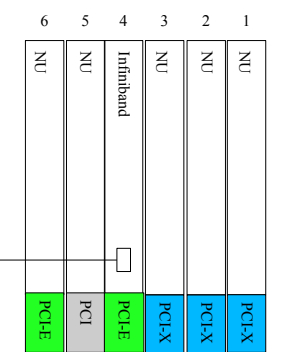
Rack MSR-8

LDAS Fibre Optics Patch Panel



NDS nds0 (10.1.0.33)

South West Tech Centos5



Notes:

Initial install 23 june 2008. H1 data only (concentrator has h15565, h15579 and h1myrinet)
EDCU runs on fb0c

Cable Types:

5565 RFM: LC-LC paired multimode fibre optics
Myrinet: LC-LC paired multimode fibre optics
Magma uplink: four Cat-6 Shielded cable with RJ-45 connectors and RF chokes
5579 RFM: SC-SC paired multimode fibre optics

eLIGO DAQ LHO MSR

Author	David Barker	Sheet	1	of	1
Date	01 July 2008				
DCC	LIGO-D080346-00-C				