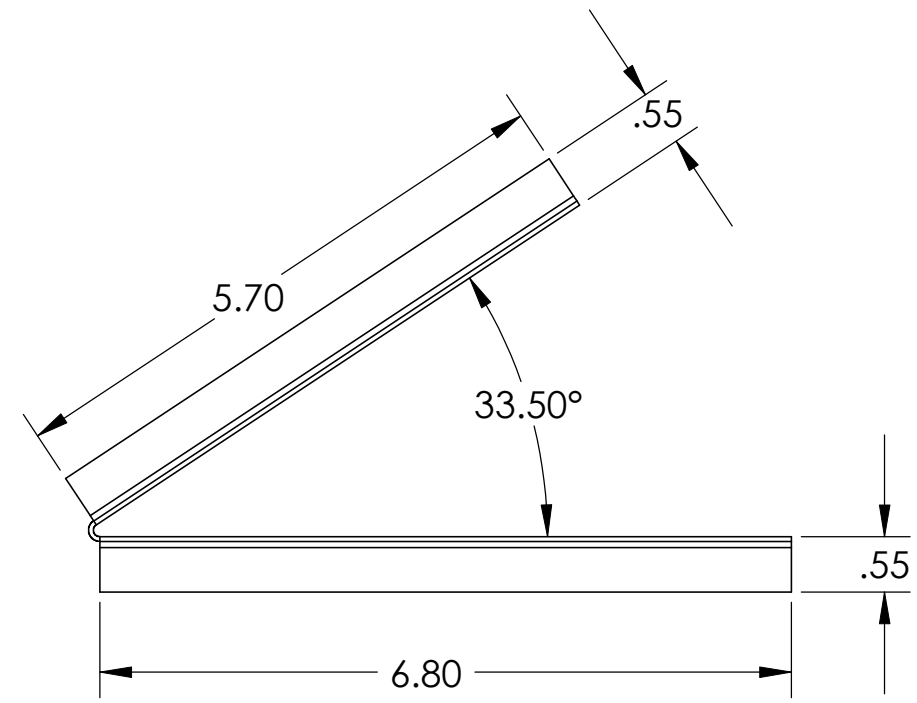
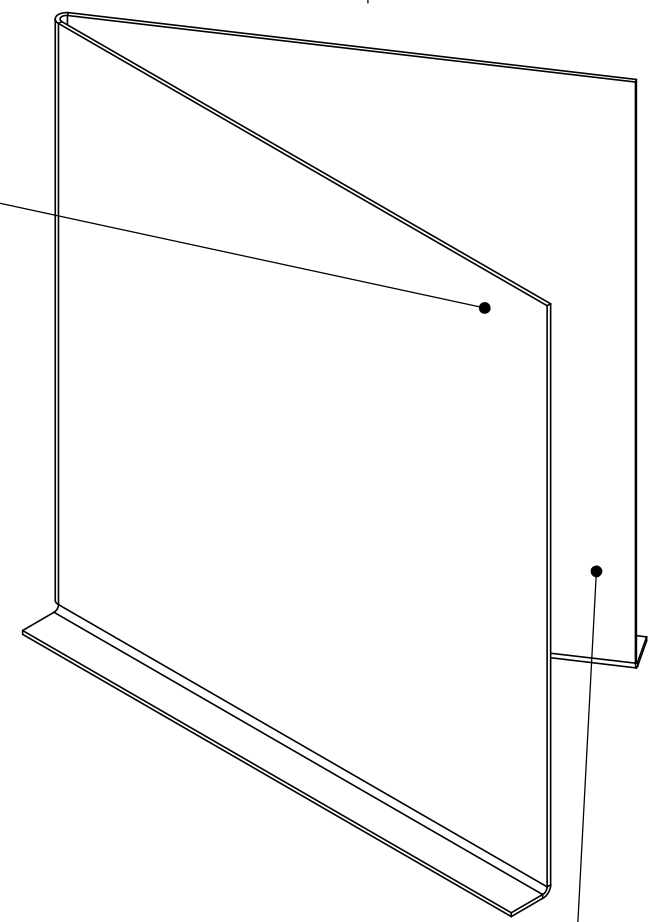


8 7 6 5 4 3 2 1

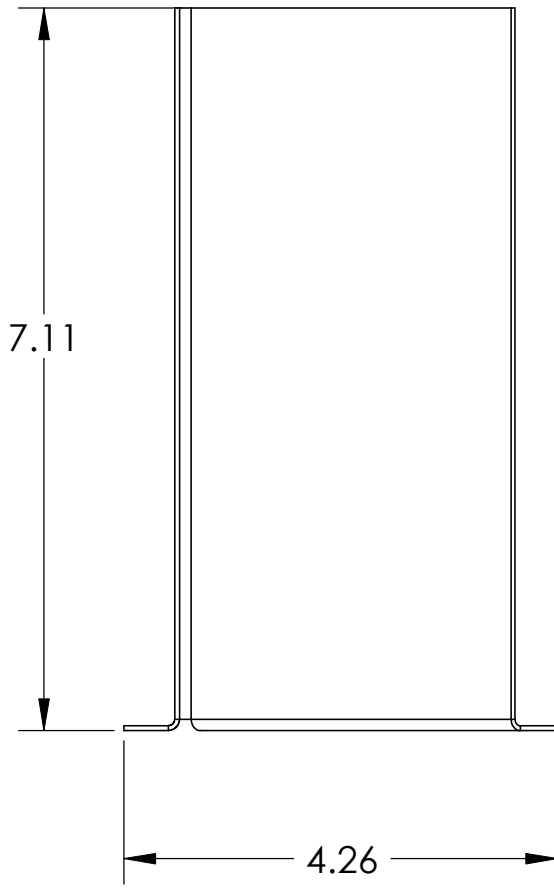
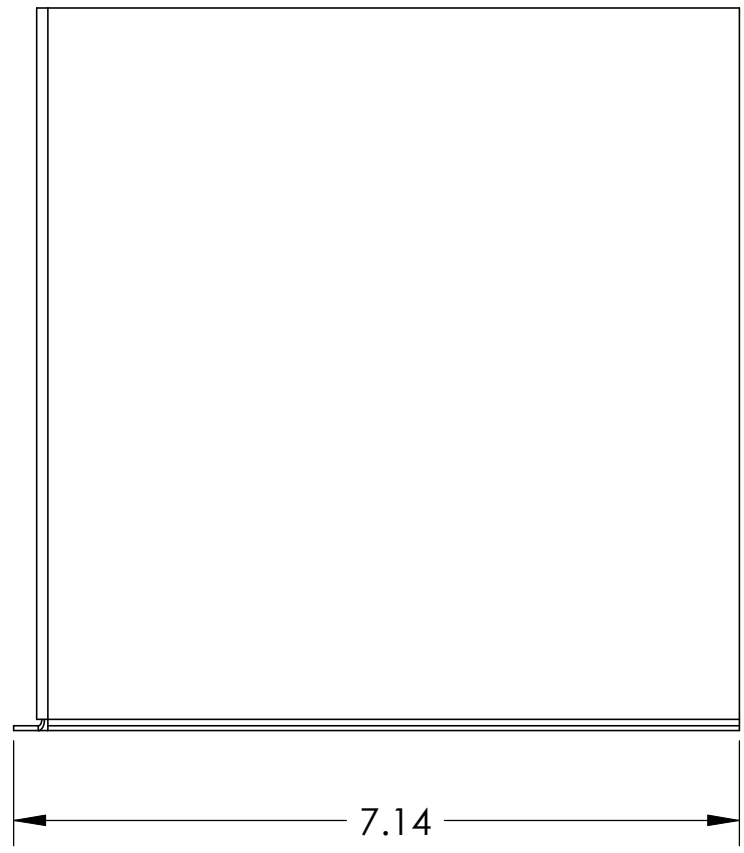
REV.	DATE	DCN #	DRAWING TREE #



ENGRAVE PART AND SERIAL NUMBER WITH FORMAT: D080338-A-S/N00x

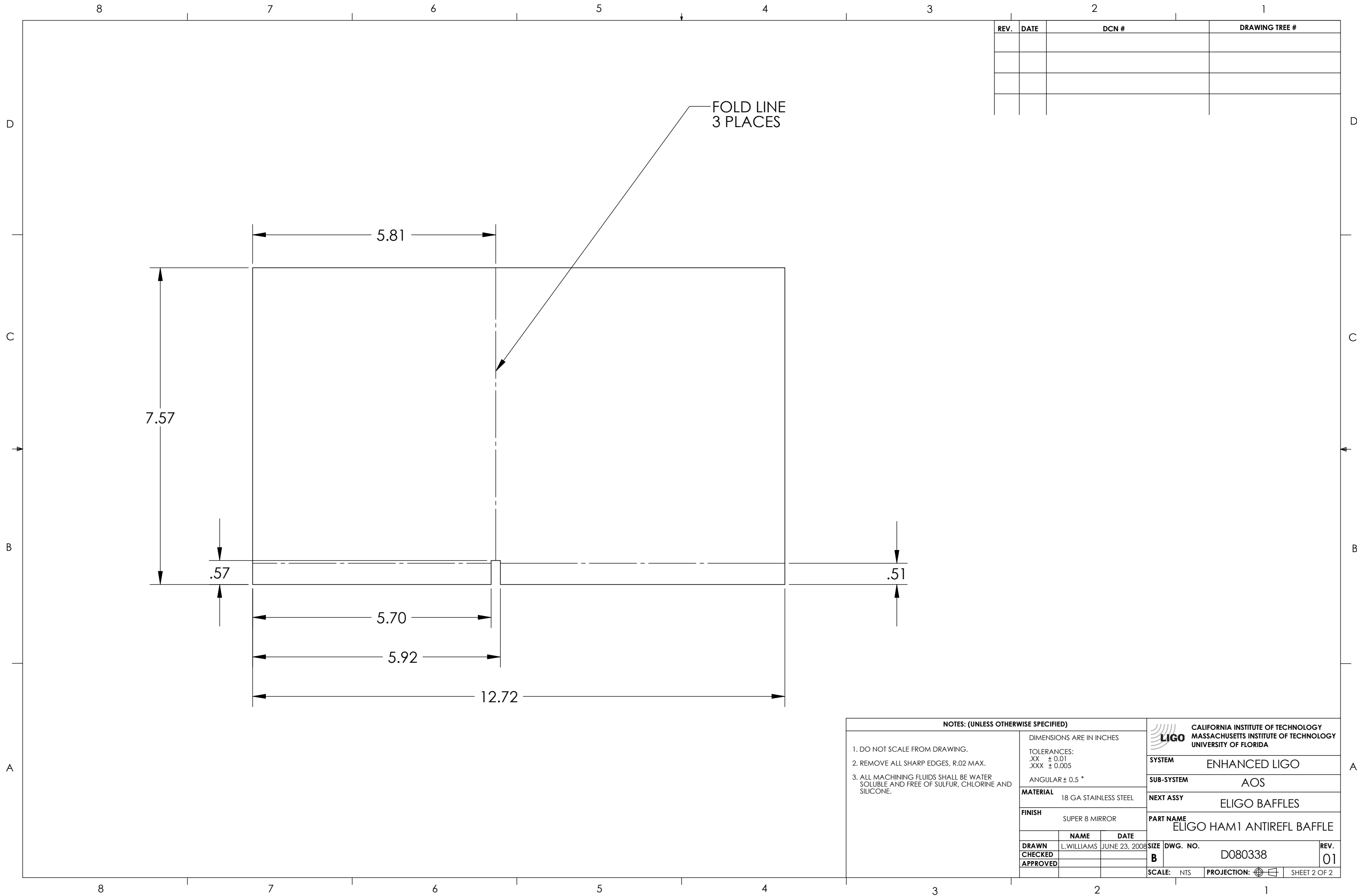


MIRROR FINISH SIDE





NOTES: (UNLESS OTHERWISE SPECIFIED)				CALIFORNIA INSTITUTE OF TECHNOLOGY MASSACHUSETTS INSTITUTE OF TECHNOLOGY UNIVERSITY OF FLORIDA	
1. DO NOT SCALE FROM DRAWING. 2. REMOVE ALL SHARP EDGES, R.02 MAX. 3. ALL MACHINING FLUIDS SHALL BE WATER SOLUBLE AND FREE OF SULFUR, CHLORINE AND SILICONE. 4. ALL BENDS ARE R=1/16" ON THE INSIDE OF THE BEND. 5. SEE SECOND SHEET FOR FLAT LAYOUT.	DIMENSIONS ARE IN INCHES				
	TOLERANCES: .XX ± 0.01 .XXX ± 0.005				
	ANGULAR ± 0.5 °		SYSTEM	ENHANCED LIGO	
	MATERIAL 18 GA STAINLESS STEEL		SUB-SYSTEM	AOS	
	FINISH SUPER 8 MIRROR		NEXT ASSY	ELIGO BAFFLES	
PART NAME		ELIGO HAM1 ANTIREFL BAFFLE			
DRAWN L.WILLIAMS		DATE JUNE 23, 2008	SIZE B	DWG. NO. D080338	REV. 01
CHECKED					
APPROVED					
QTY 2		SCALE: NTS	PROJECTION:	SHEET 1 OF 2	

8 7 6 5 4 3 2 1



REV.	DATE	DCN #	DRAWING TREE #

NOTES: (UNLESS OTHERWISE SPECIFIED)		 CALIFORNIA INSTITUTE OF TECHNOLOGY MASSACHUSETTS INSTITUTE OF TECHNOLOGY UNIVERSITY OF FLORIDA											
1. DO NOT SCALE FROM DRAWING. 2. REMOVE ALL SHARP EDGES, R.02 MAX. 3. ALL MACHINING FLUIDS SHALL BE WATER SOLUBLE AND FREE OF SULFUR, CHLORINE AND SILICONE.	DIMENSIONS ARE IN INCHES TOLERANCES: .XX ± 0.01 .XXX ± 0.005 ANGULAR ± 0.5 °		SYSTEM ENHANCED LIGO										
	MATERIAL 18 GA STAINLESS STEEL		SUB-SYSTEM AOS										
	FINISH SUPER 8 MIRROR		NEXT ASSY ELIGO BAFFLES										
		PART NAME ELIGO HAM1 ANTIREFL BAFFLE											
<table border="1"> <tr> <th>NAME</th> <th>DATE</th> </tr> <tr> <td> </td> <td> </td> </tr> </table>	NAME	DATE			<table border="1"> <tr> <th>SIZE</th> <th>DWG. NO.</th> <th>REV.</th> </tr> <tr> <td>B</td> <td>D080338</td> <td>01</td> </tr> </table>	SIZE	DWG. NO.	REV.	B	D080338	01		
NAME	DATE												
SIZE	DWG. NO.	REV.											
B	D080338	01											
<table border="1"> <tr> <th>DRAWN</th> <td>L.WILLIAMS</td> <td>JUNE 23, 2008</td> </tr> <tr> <th>CHECKED</th> <td> </td> <td> </td> </tr> <tr> <th>APPROVED</th> <td> </td> <td> </td> </tr> </table>		DRAWN	L.WILLIAMS	JUNE 23, 2008	CHECKED			APPROVED			SCALE: NTS	PROJECTION: 	SHEET 2 OF 2
DRAWN	L.WILLIAMS	JUNE 23, 2008											
CHECKED													
APPROVED													