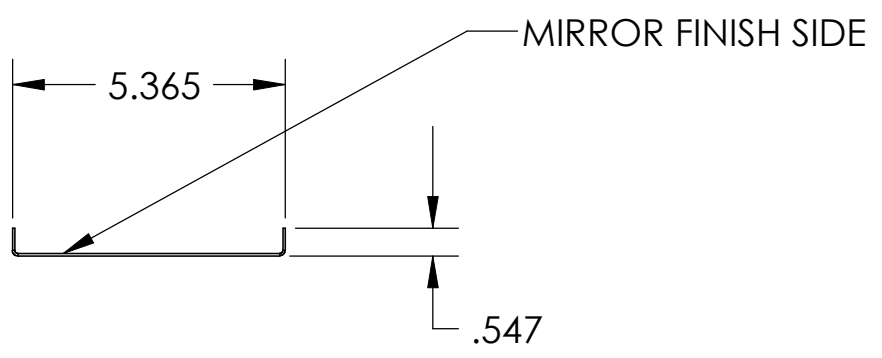
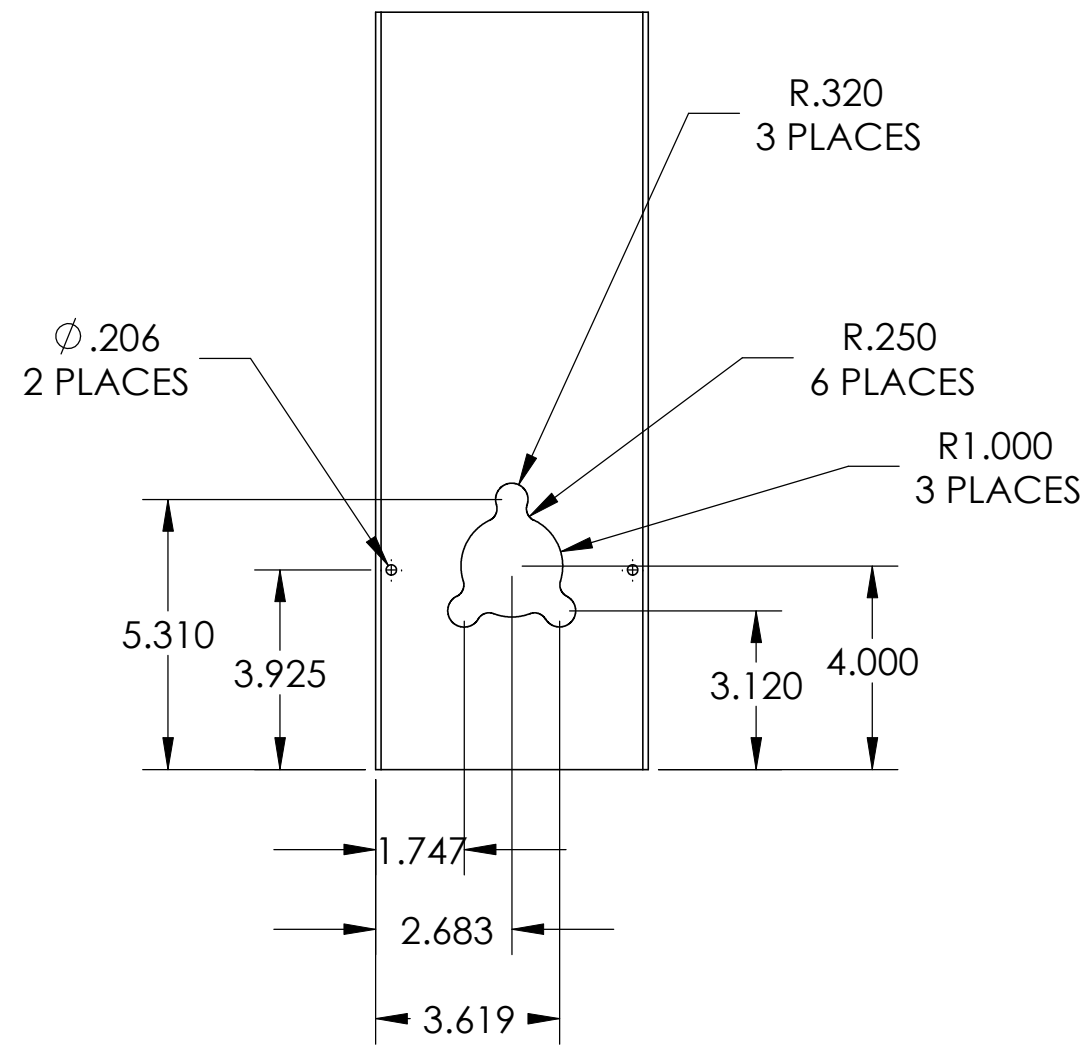
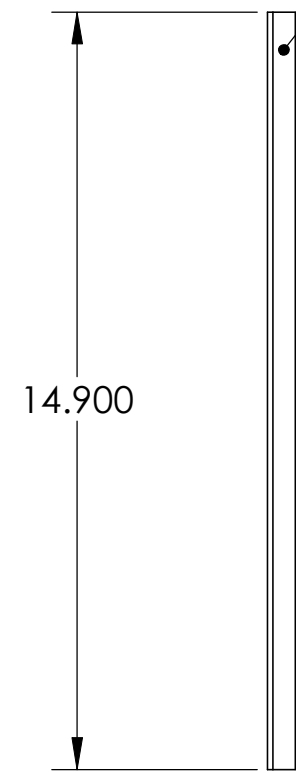
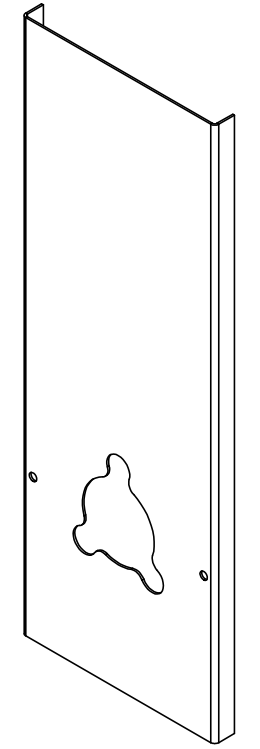


8 7 6 5 4 3 2 1

REV.	DATE	DCN #	DRAWING TREE #



ENGRAVE PART AND SERIAL NUMBER WITH FORMAT: D080326-A-S/N00x



NOTES: (UNLESS OTHERWISE SPECIFIED)				CALIFORNIA INSTITUTE OF TECHNOLOGY MASSACHUSETTS INSTITUTE OF TECHNOLOGY UNIVERSITY OF FLORIDA									
1. DO NOT SCALE FROM DRAWING. 2. REMOVE ALL SHARP EDGES, R.02 MAX. 3. ALL MACHINING FLUIDS SHALL BE WATER SOLUBLE AND FREE OF SULFUR, CHLORINE AND SILICONE. 4. ALL BENDS ARE R=1/16" ON THE INSIDE OF THE BEND.	DIMENSIONS ARE IN INCHES												
	TOLERANCES: .XX ± 0.01 .XXX ± 0.005 ANGULAR ± 0.5 °												
	MATERIAL 18 GA STAINLESS STEEL		SYSTEM	ENHANCED LIGO									
	FINISH SUPER 8 MIRROR		SUB-SYSTEM	AOS									
QTY 2		<table border="1"> <thead> <tr> <th>NAME</th> <th>DATE</th> </tr> </thead> <tbody> <tr> <td>L.WILLIAMS</td> <td>JUNE 13, 2008</td> </tr> <tr> <td> </td> <td> </td> </tr> <tr> <td> </td> <td> </td> </tr> </tbody> </table>	NAME	DATE	L.WILLIAMS	JUNE 13, 2008					NEXT ASSY	ELIGO BAFFLES	
		NAME	DATE										
		L.WILLIAMS	JUNE 13, 2008										
<table border="1"> <thead> <tr> <th>SIZE</th> <th>DWG. NO.</th> <th>REV.</th> </tr> </thead> <tbody> <tr> <td>B</td> <td>D080326</td> <td>01</td> </tr> </tbody> </table>	SIZE	DWG. NO.	REV.	B	D080326	01	PART NAME	ELIGO MMT1 BAFFLE					
SIZE	DWG. NO.	REV.											
B	D080326	01											
DRAWN CHECKED APPROVED	SCALE: NTS PROJECTION:	SHEET 1 OF 1											

8 7 6 5 4 3 2 1