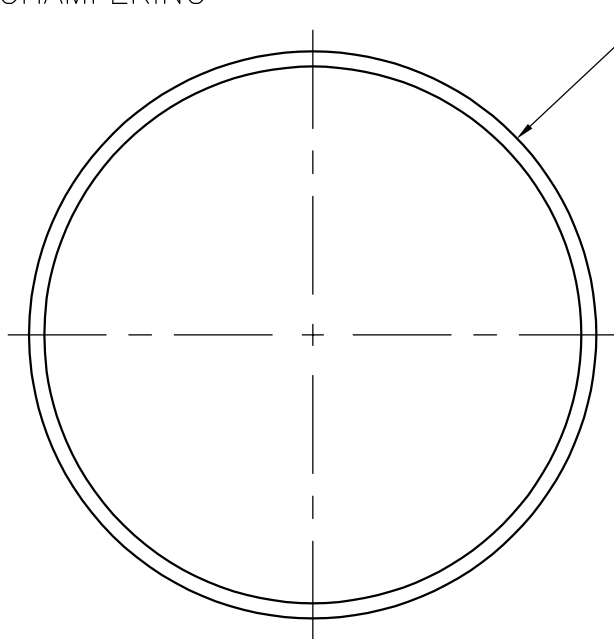


25.0^{+0.0}_{-0.5} THICK
AT THEORETICAL
SHARP CORNER
BEFORE
CHAMFERING

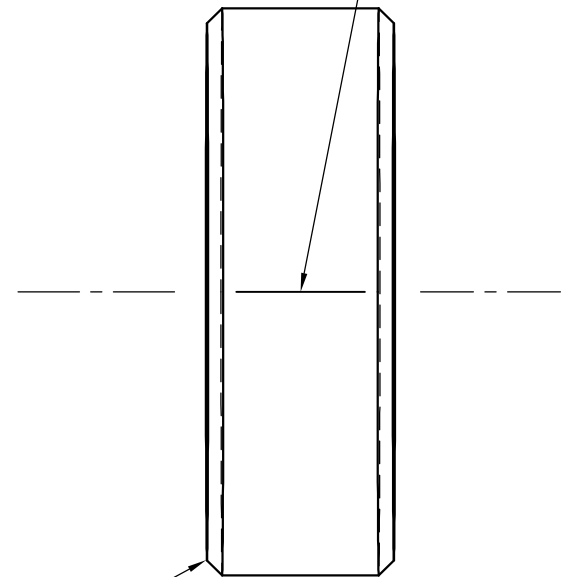
ETCH, GRIND, OR SANDBLAST SERIAL
NUMBER AND ORIENTATION ARROW

ETCH OR GRIND 0.25mm ± 0.05mm
WIDE X 17mm ± 1mm LONG
3 PLACES 90° ± 15' APART FROM
LINE WITH ARROW (SEE TOP VIEW)
PARALLEL TO CENTRAL AXIS WITHIN
± 0.10mm, CENTERED BETWEEN
FRONT AND REAR SURFACES



∅75^{+1mm}_{-0mm}

0.1mm



CHAMFER
45° ± 1° X 2 ± 0.3
2 PLACES

UF LIGO

ALIGO PRE MODE
MATCHING TELESCOPE
#2 SUBSTRATE

SCALE: FULL (mm)

DATE: APRIL 1, 2008

WILLIAMS, LUKE

D080161-00

QTY: 6

MATERIAL: FUSED SILICA OC