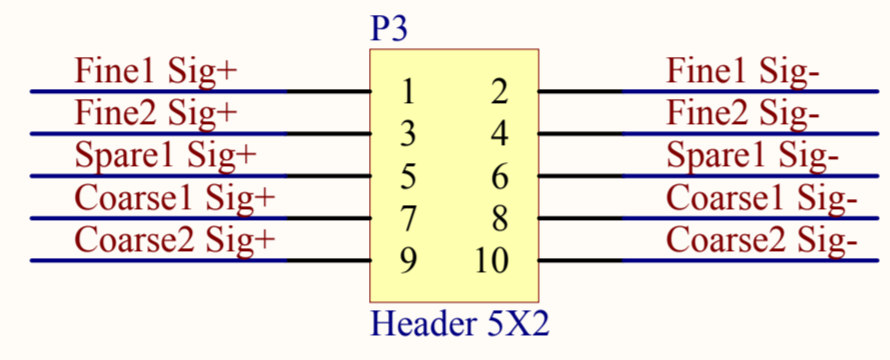
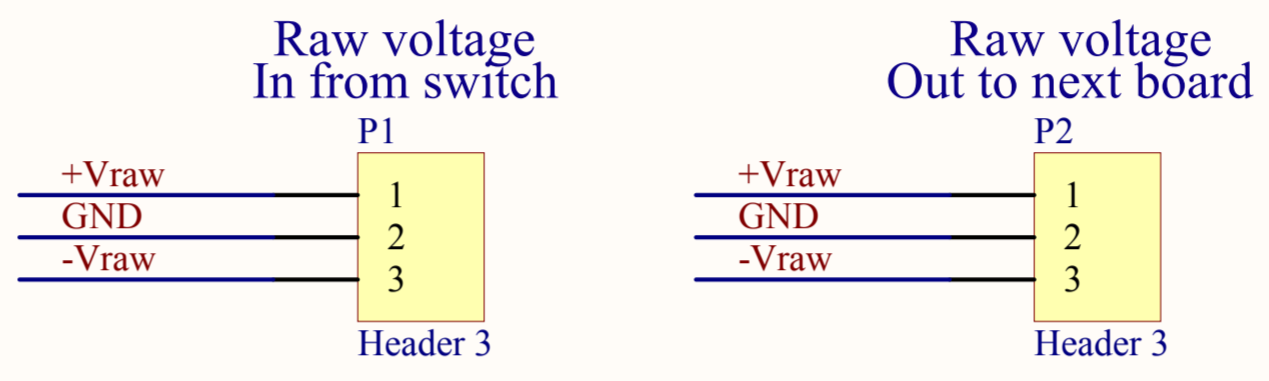
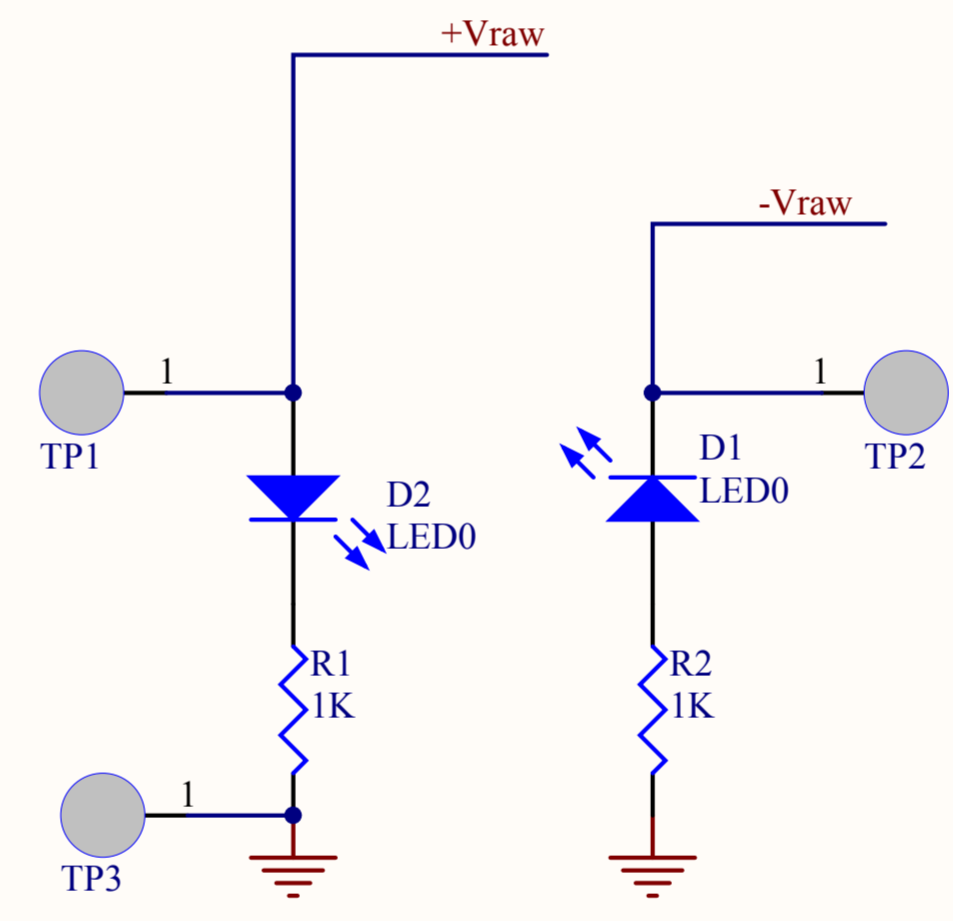
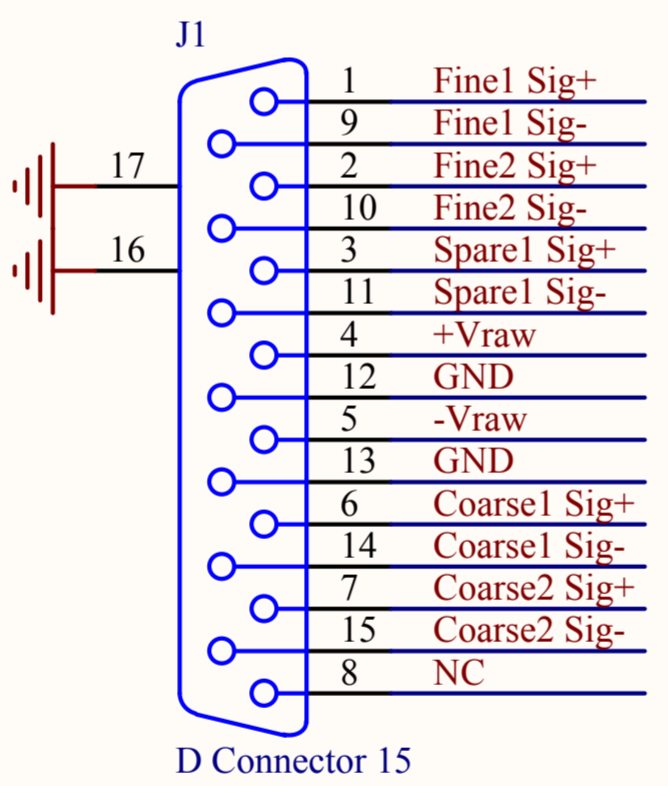


Capacitive Position Sensor Interface



From Cap. Pos. Sensor



Title Capacitive Position Sensor Interface Board			
Size: B	DCC Number: D070132-00-C	Ligo Project California Institute of Technology Massachusetts Institute of Technology	
Drawn by: Ben Abbott	Date: 8/14/2007	Revision: B	
File: C:\Ben\Seismic\IS\LASTL IS\ISI Interface\CapPosSensor\CapPosSensor.sch 1:13:PM Sheet 1 of 1			

Capacitive Position
Sensor
Interface Board
DCC# DG70132 Rev. B

S/N [REDACTED]

Raw Power OUT Raw Power IN

