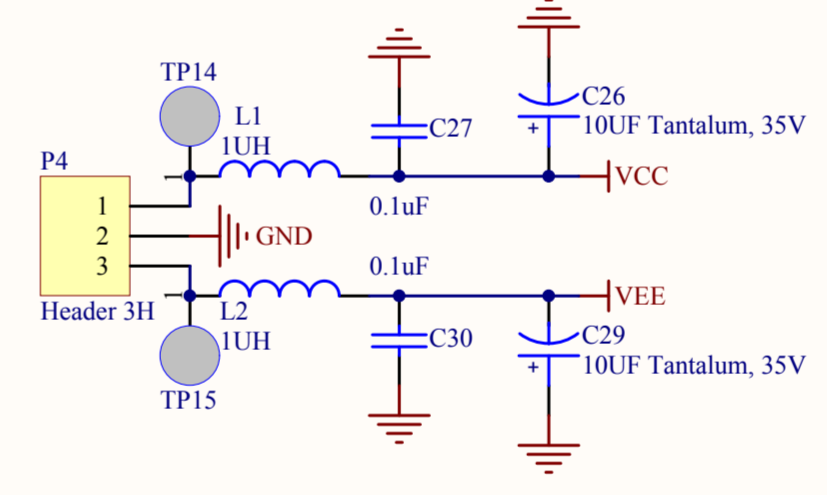
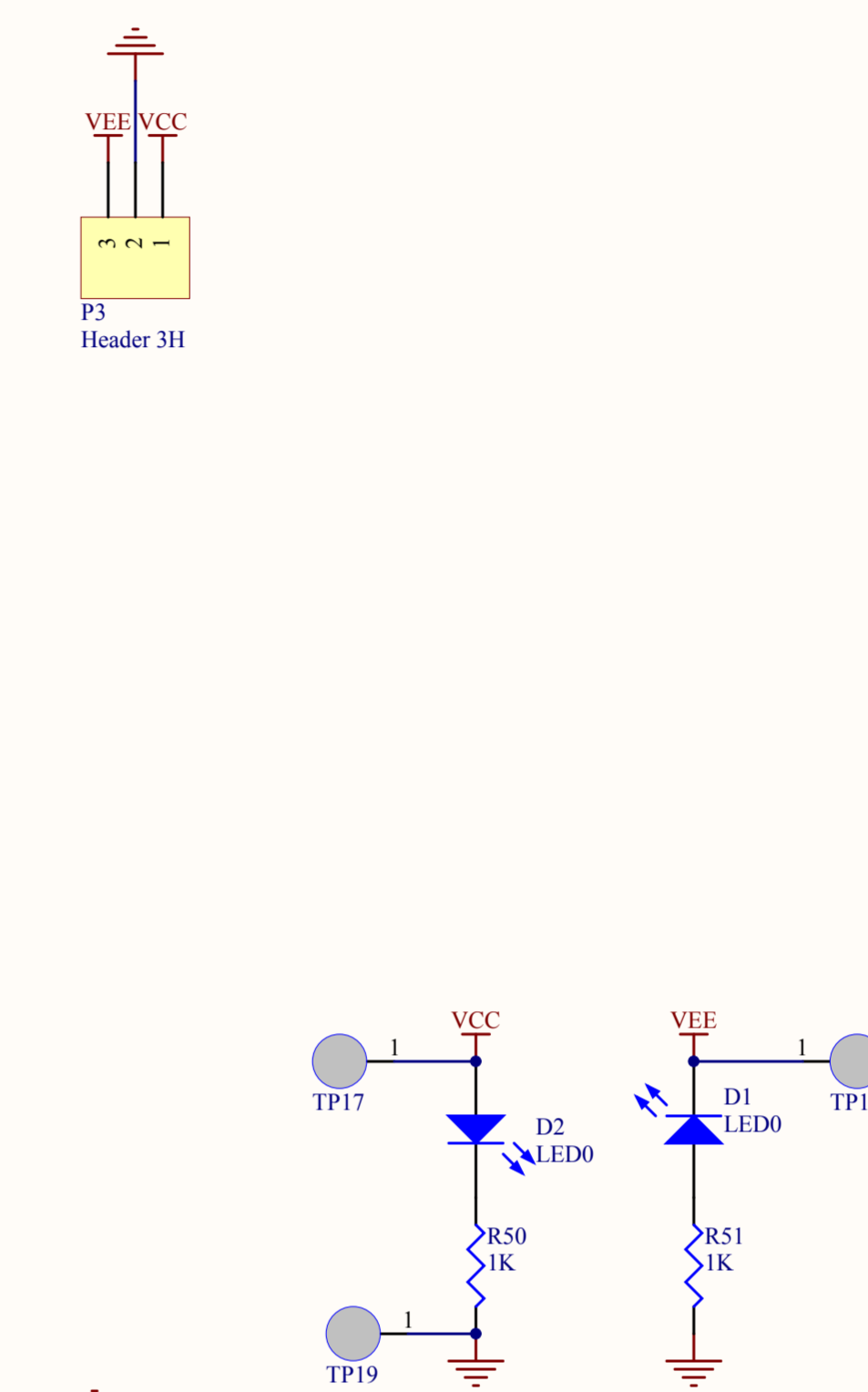
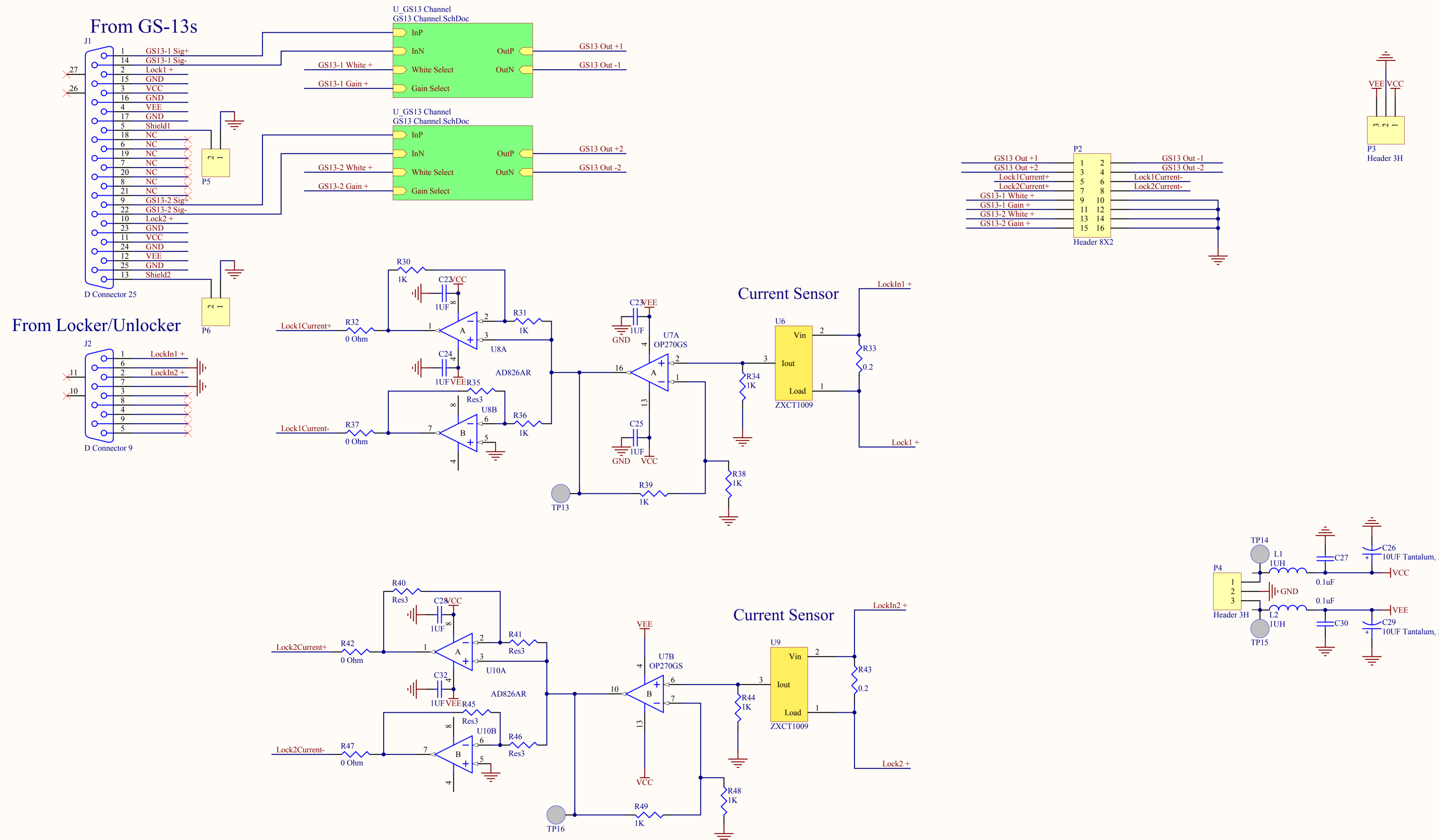
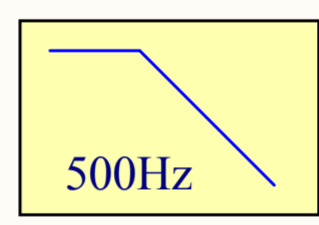
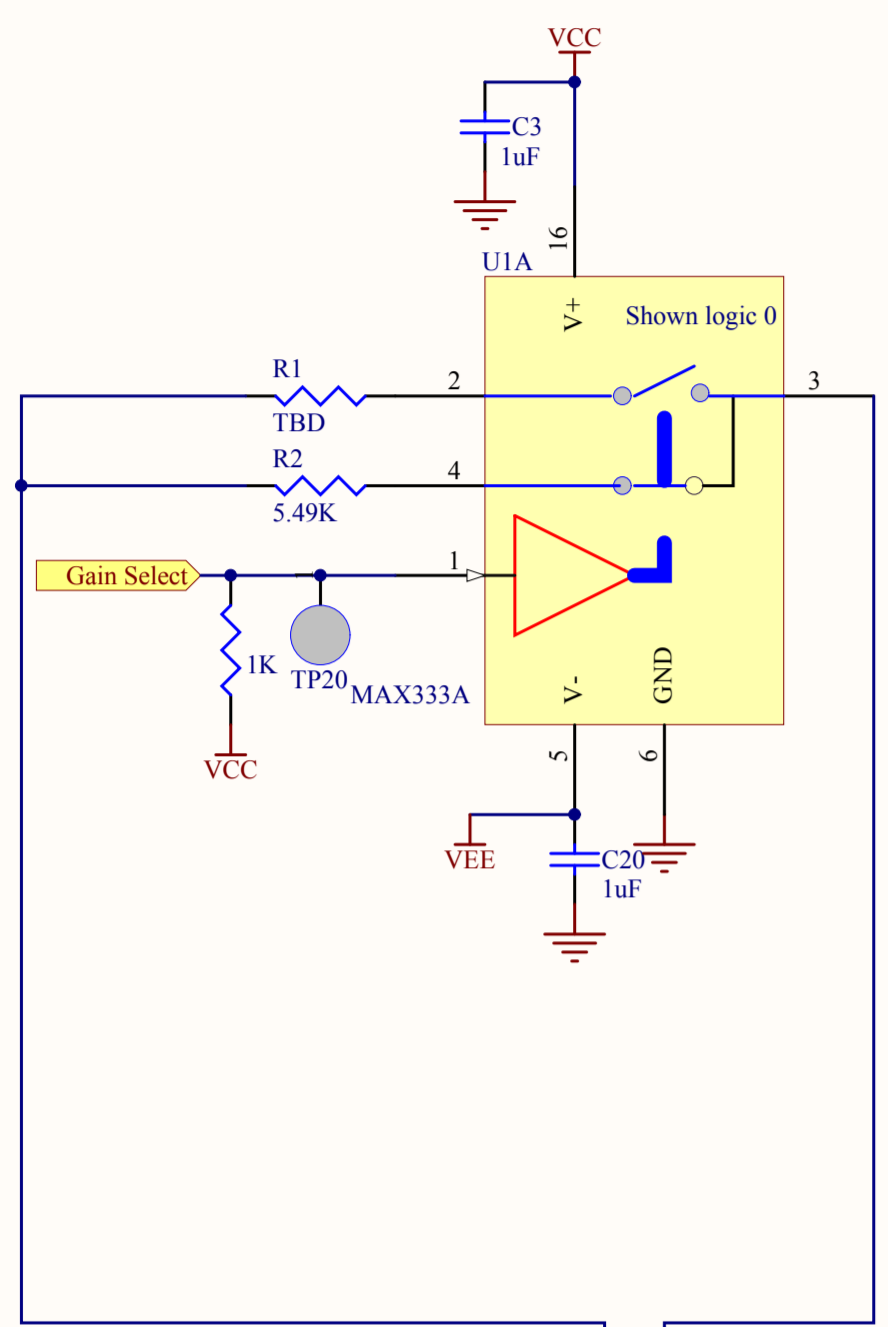


GS-13 Interface



Title GS-13 Interface Card		Ligo Project California Institute of Technology Massachusetts Institute of Technology		
Size: C	DCC Number: D070115-00-C			
Drawn by: Ben Abbott	Date: 8/14/2007	Revision: B		
File: C:\Ben\Seismic\ISL\LAST1_ISL\ISI Interface\GS13Interface\GS13Interface.dwg 20:30 PM Sheet 1 of 2				



Nominal Whitening is 2 ea. 0.1Hz Zeros, and 2 ea. 1Hz Poles. Gain -4dB (Vgain=0) @DC.
 There is also 2 poles @ 500Hz, and 2 ea. 2-pole 500Hz Butterworth LPFs.

