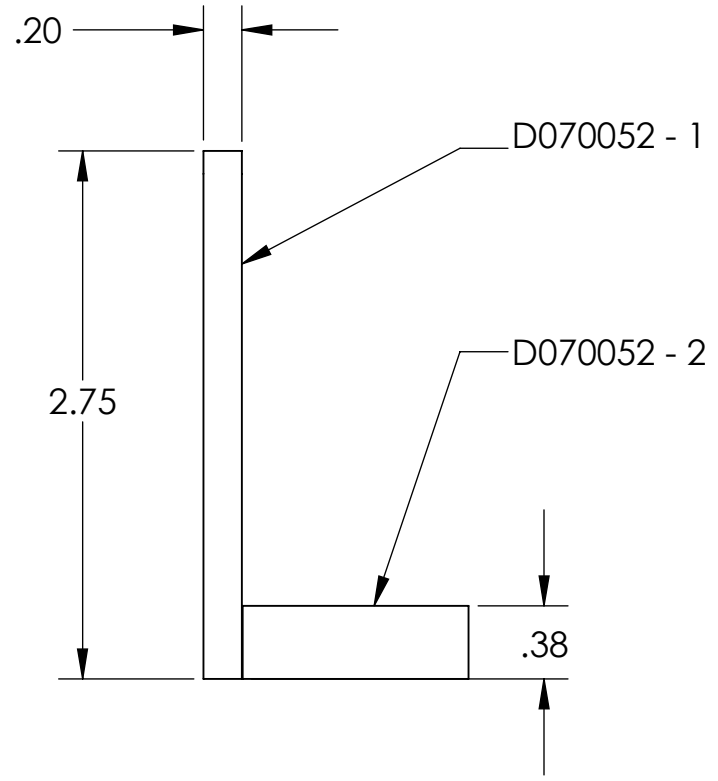
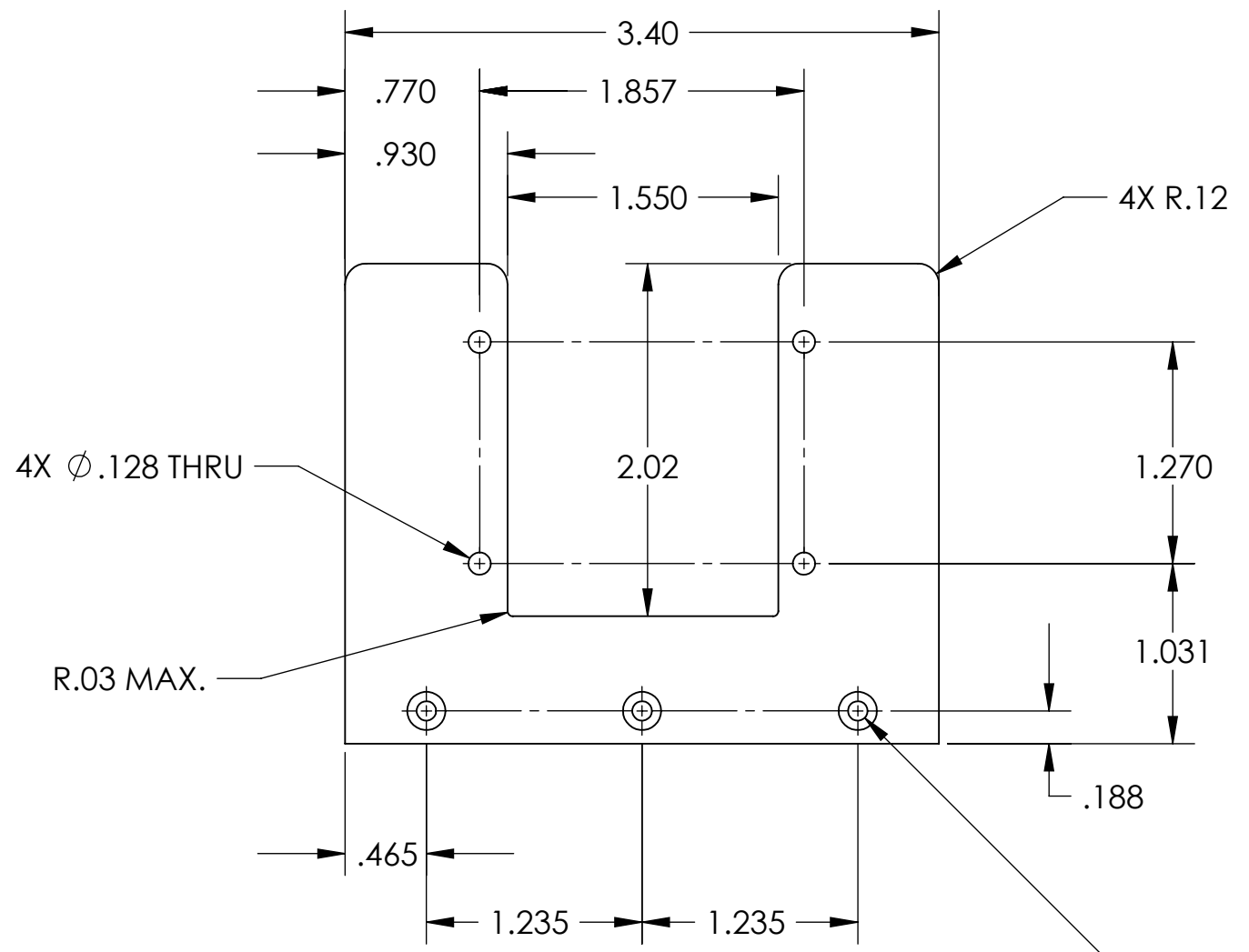
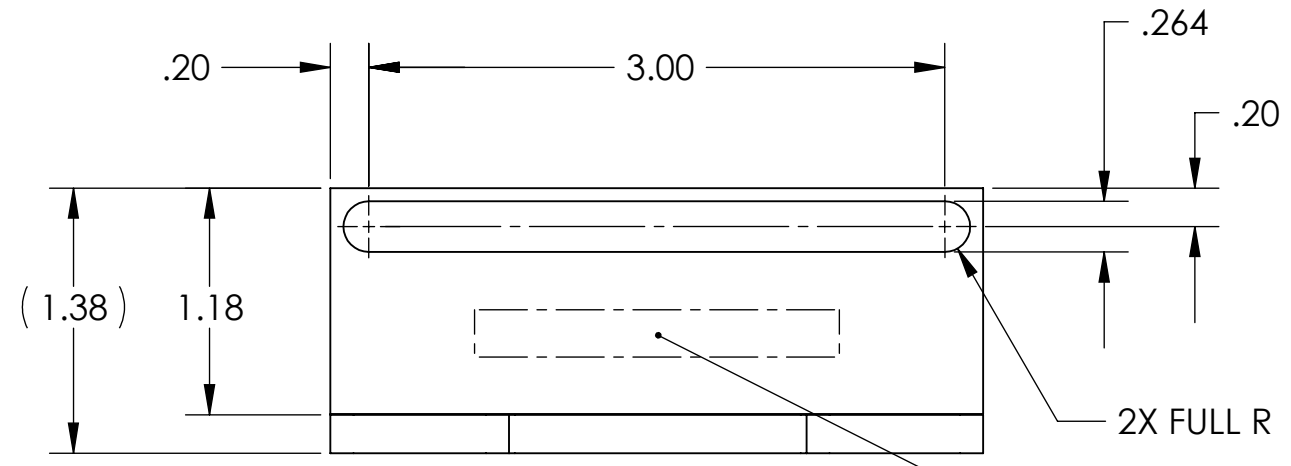


REV.	DATE	DCN #	DRAWING TREE #
A	28 MAR 2008	E080113-00	
B	9 APR 2008	E080161-00	



3X #4-40 X .75 (D070052-2)
 DRILL PILOT HOLE THRU TO SLOT
 3X Ø.128, □ Ø.219 X ▽.112 (D070052-1)
 300 SERIES SS #4-40 X 3/4" SHCS (ASSEMBLY)

NOTES: (UNLESS OTHERWISE SPECIFIED)

- DO NOT SCALE FROM DRAWING.
- REMOVE ALL SHARP EDGES, R.02 MAX.
- ALL MACHINING FLUIDS SHALL BE WATER SOLUBLE AND FREE OF SULFUR, CHLORINE AND SILICONE.
- SCRIBE, ENGRAVE OR MECHANICALLY STAMP DRAWING (NO INKS OR DYES) PART NUMBER, REV., AND DASH NO. ON NOTED SURFACE OF PART FOLLOWED ON THE NEXT LINE WITH A THREE DIGIT SERIAL NUMBER. SERIAL NUMBERS START AT 001 FOR THE FIRST ARTICLE AND PROCEED CONSECUTIVELY. USE .12" HIGH CHARACTERS, UNLESS THE SIZE OF THE PART DICTATES SMALLER CHARACTERS. A VIBRATORY TOOL MAY BE USED. EXAMPLE:
 D060533-2-A
 S/N 001

DIMENSIONS ARE IN INCHES
 TOLERANCES:
 .XX ± 0.01
 .XXX ± 0.005
 ANGULAR ± 0.5°

PARTS LIST		
CALIFORNIA INSTITUTE OF TECHNOLOGY MASSACHUSETTS INSTITUTE OF TECHNOLOGY IGR, GLASGOW UNIVERSITY GEO 600 GROUP		
SYSTEM ADVANCED LIGO		
SUB-SYSTEM SUS		
NEXT ASSY D060306		
PART NAME		
CONNECTOR BRACKET, OMC		
SIZE	DWG. NO.	REV.
B	D070052	B
SCALE: 1:2		PROJECTION:
		SHEET 1 OF 1

FINISH	NAME	DATE
	J. ROMIE	FEB 2007
	D. BRIDGES	2 APR 2008
DRAWN		
CHECKED		
APPROVED		