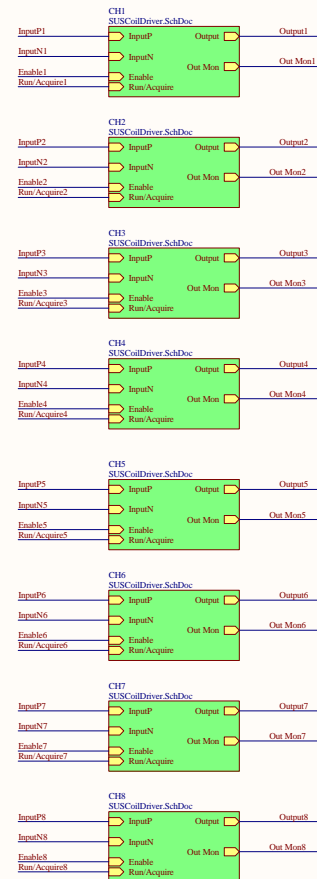
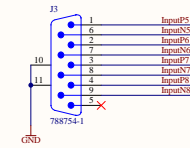
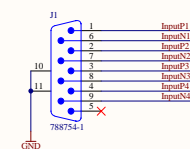
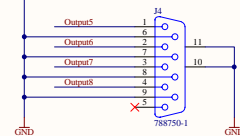
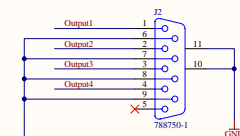


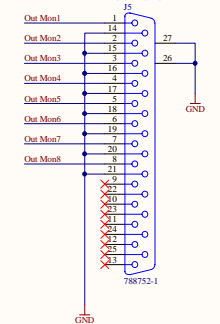
Coil Driver Inputs Front Panel



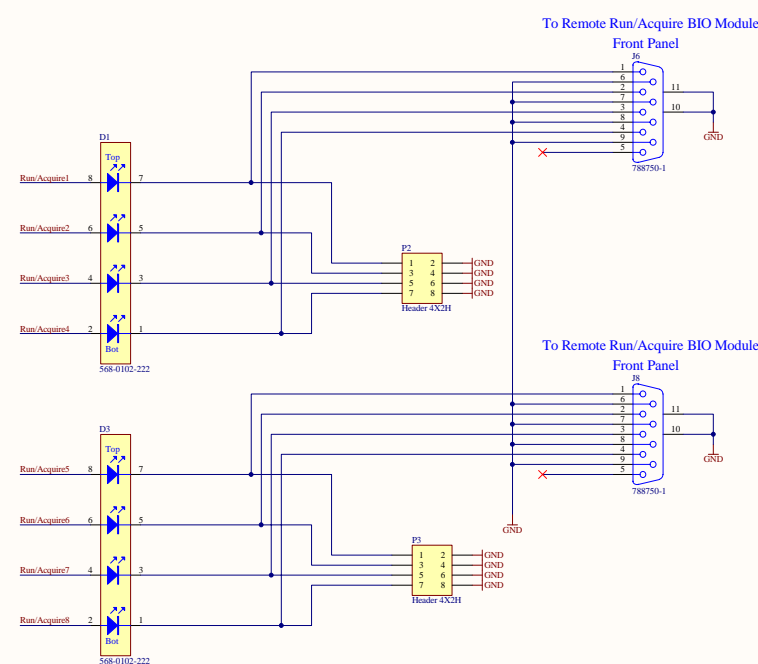
Coil Driver Outputs Rear Panel



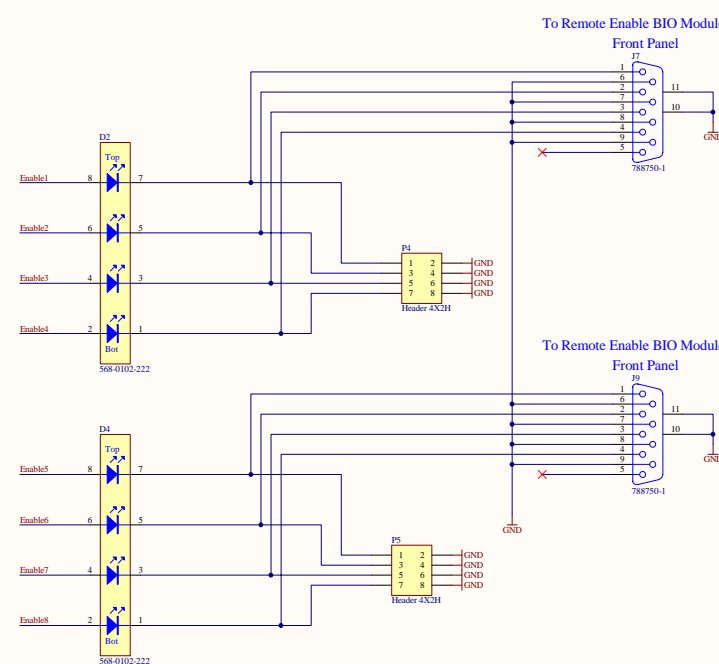
Output Monitors Rear Panel



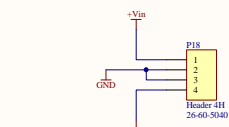
Run/Acquire Controls and Indicators



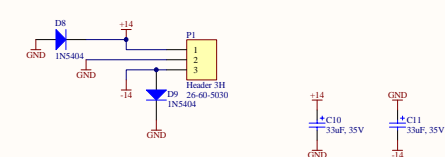
Coil Driver Enable Controls and Indicators



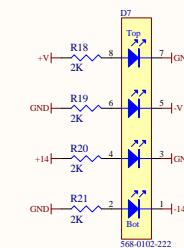
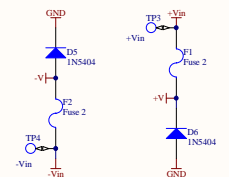
Raw DC Power Input

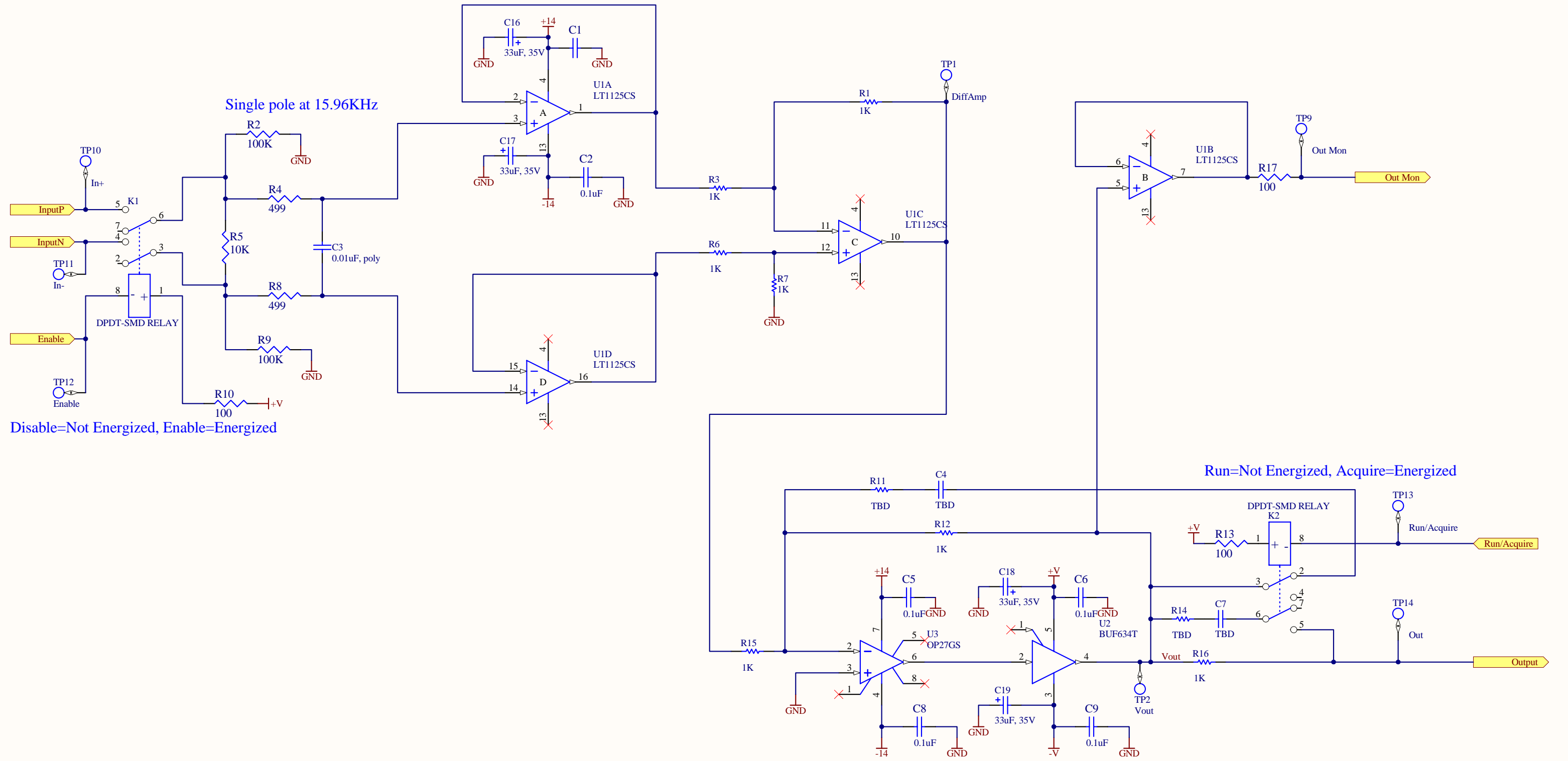


Regulated DC Power Input



Fused BUF634 Power





Title 8 Channel SUS Coil Driver		LIGO Project California Institute of Technology Massachusetts Institute of Technology		LIGO
Size: B	DCC Number: D060278	SCH / PCB Revision: 00	Engineer: J. Heefner	Date: 12/6/2006
File: C:\Documents and Settings\jay\Desktop\SUSCoilDriver\SUSCoilDriver.SchDoc				Time: 8:08:48 AM
				Sheet 2 of 2