

8 7 6 5 4 3 2 1

D

D

C

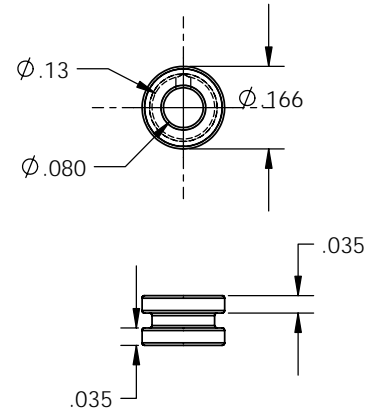
C

B

B

A

A



PROPRIETARY AND CONFIDENTIAL
 THE INFORMATION CONTAINED IN THIS
 DRAWING IS THE SOLE PROPERTY OF
 LIGO HANFORD OBSERVATORY. ANY
 REPRODUCTION IN PART OR AS A WHOLE
 WITHOUT THE WRITTEN PERMISSION OF
 LIGO HANFORD OBSERVATORY IS
 PROHIBITED.

		UNLESS OTHERWISE SPECIFIED:						
		DIMENSIONS ARE IN INCHES			DRAWN	D.COOK	07/31/06	TITLE: EQ INNER SCREW SPACER
		TOLERANCES:			CHECKED			
		FRACTIONAL ±1/16			ENG APPR.			
		ANGULAR: MACH ± BEND ±			MFG APPR.			
		TWO PLACE DECIMAL ±.010			Q.A.			
		THREE PLACE DECIMAL ±.005			COMMENTS:			
		INTERPRET GEOMETRIC TOLERANCING PER:						
		MATERIAL 6061T6 AL						SIZE B
NEXT ASSY		USED ON						DWG. NO. D020244
		FINISH 32 MICRO						REV
APPLICATION		DO NOT SCALE DRAWING						SCALE: 4:1 WEIGHT: SHEET 1 OF 1

8 7 6 5 4 3 2 1