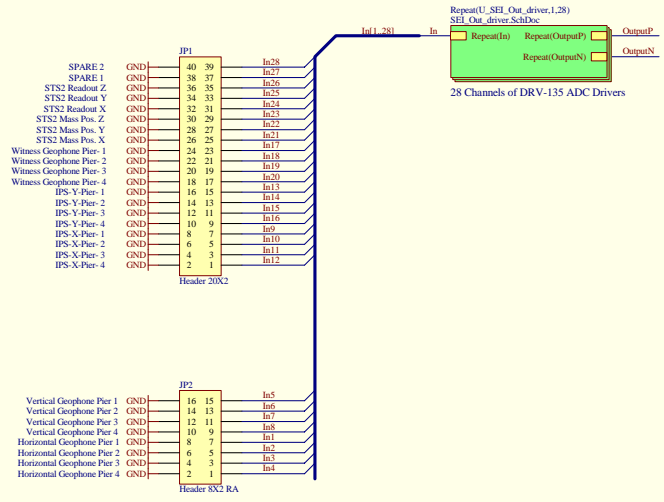
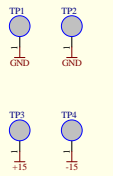
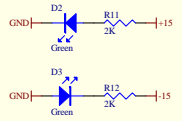
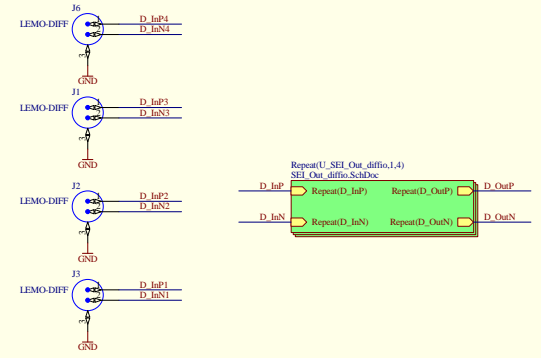


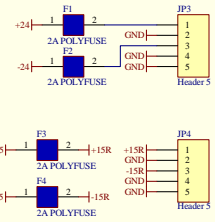
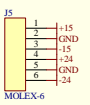
From Anti-aliasing/Whitening Board



Rear Panel Spare Inputs

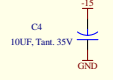
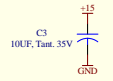


Power to Diff. Rec. Board

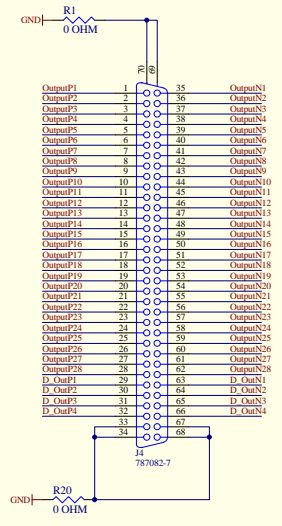


±24V Input to Chassis (Female)

±15V Input to Chassis (Male)

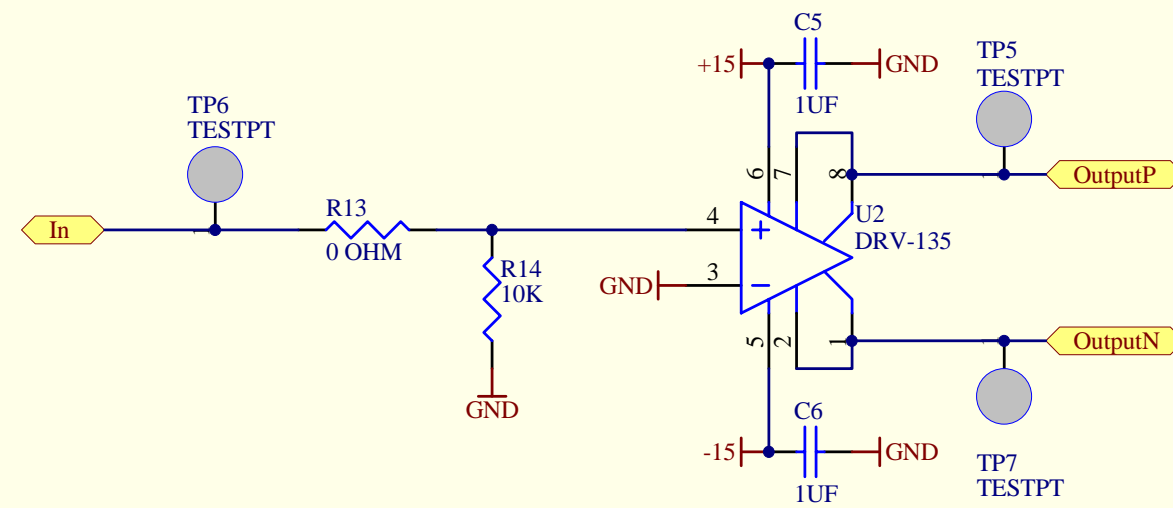


Diff Outputs to ADC



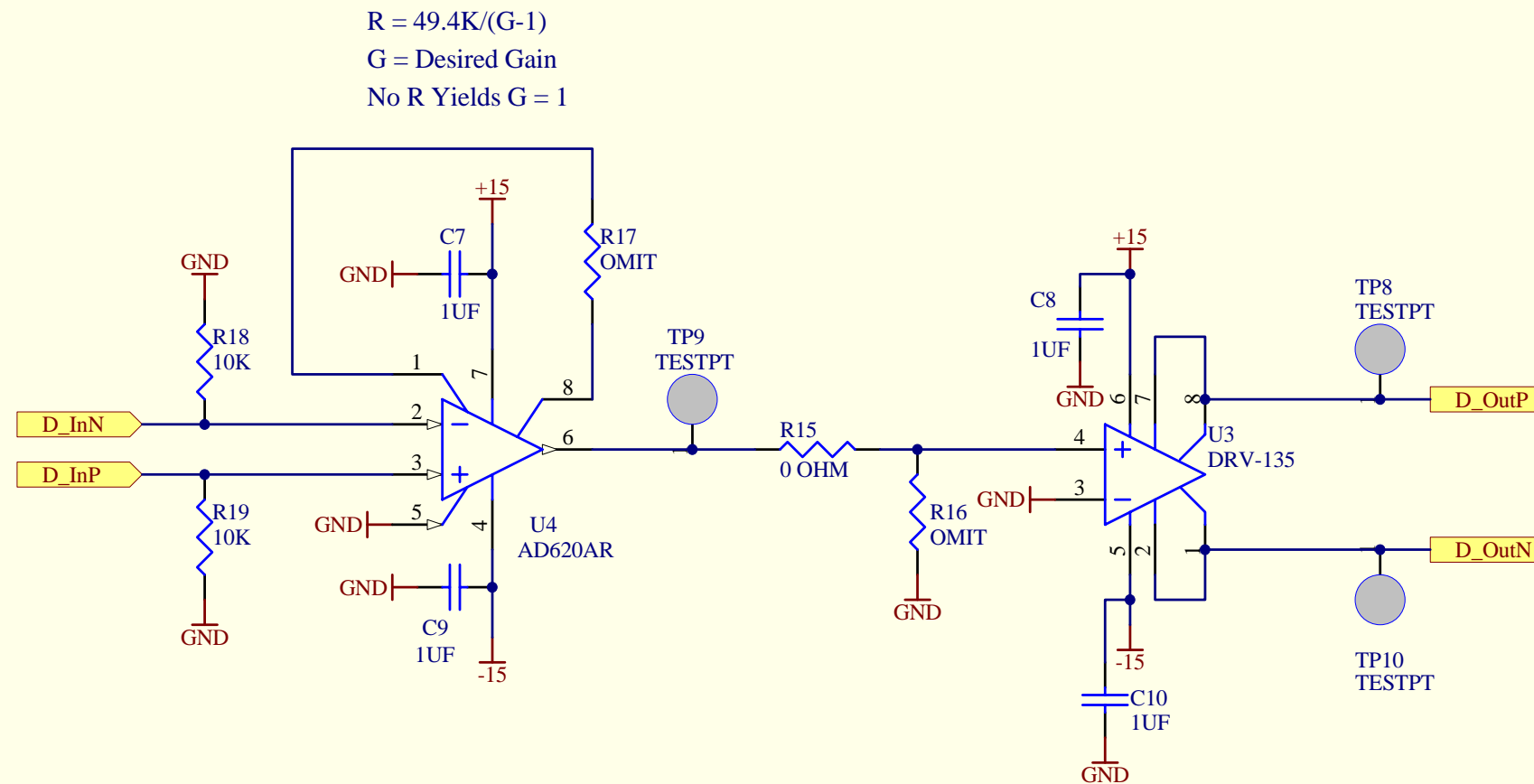
Revision History:	
DCN E060169-00 C	Covers the initial release of this design and the transition from revision 00 to A
DCN E060170-00	Relates to this design and includes this design in the overall chassis D030806-B. This DCN also changes D030806 from revision A to revision B

Differential Driver Detail



Title		<i>SEI-Int Differential Driver</i>		LIGO Laboratory California Institute of Technology Massachusetts Institute of Technology		LIGO [®]	
Size: A	DCC Number: D060081	SCH / PCB Revision: A	Engineer: R. Abbott	Date: 4/20/2006		Time: 1:57:14 PM	
File: C:\Rich's Files\Mycadfiles\Jay\SEI_Out\SEI_Out_driver.SchDoc						Sheet 2 of 3	

Differential Receiver/Driver Detail



Title		<i>Differential Receiver Driver, SEI Int</i>		LIGO Laboratory California Institute of Technology Massachusetts Institute of Technology		LIGO [®]	
Size: A	DCC Number: D060081	SCH / PCB Revision: A	Engineer: R. Abbott		Date: 4/20/2006		Time: 1:59:08 PM
File: C:\Rich's Files\Mycadfiles\Jay\SEI_Out\SEI_Out_diffio.SchDoc						Sheet 3 of 3	