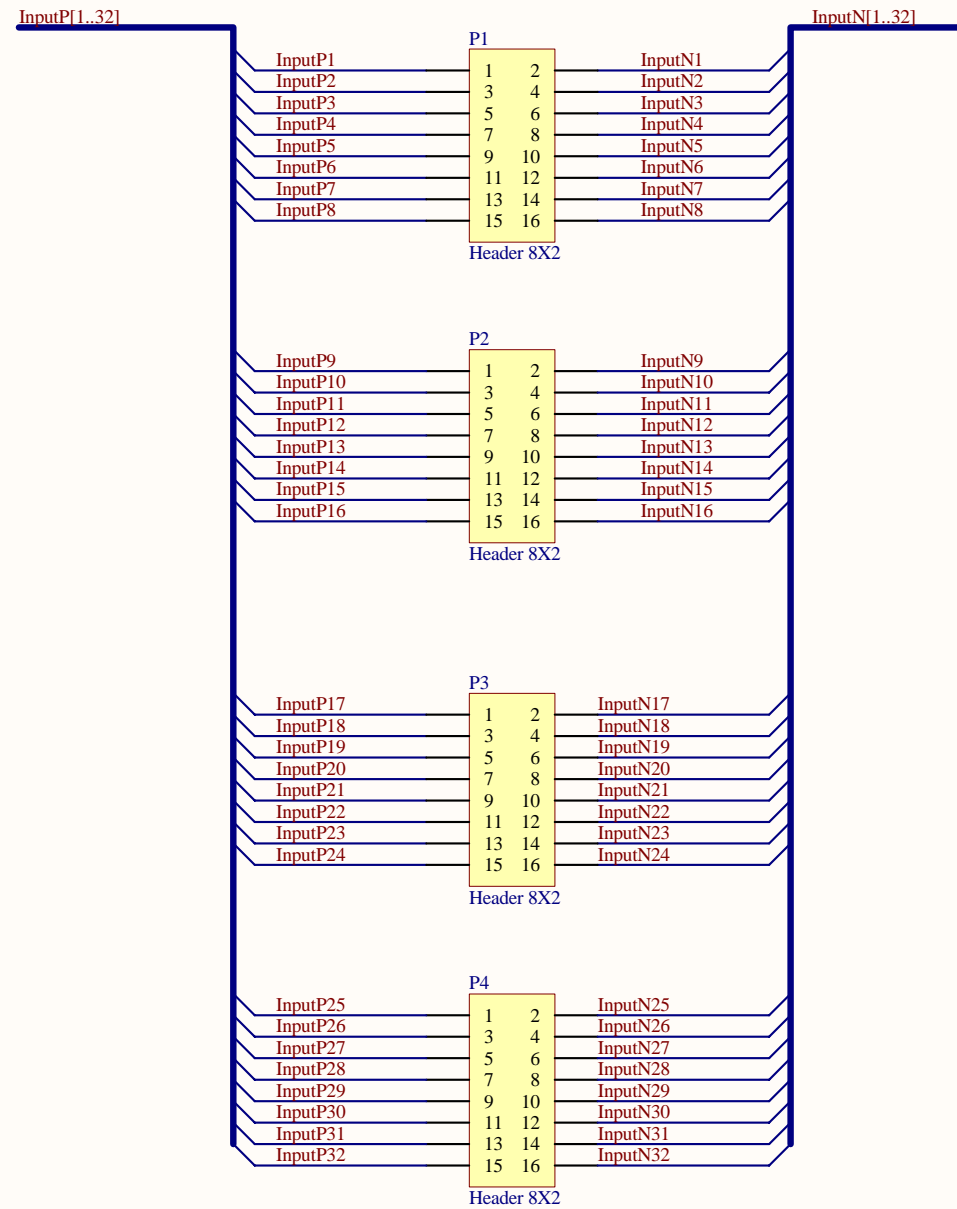
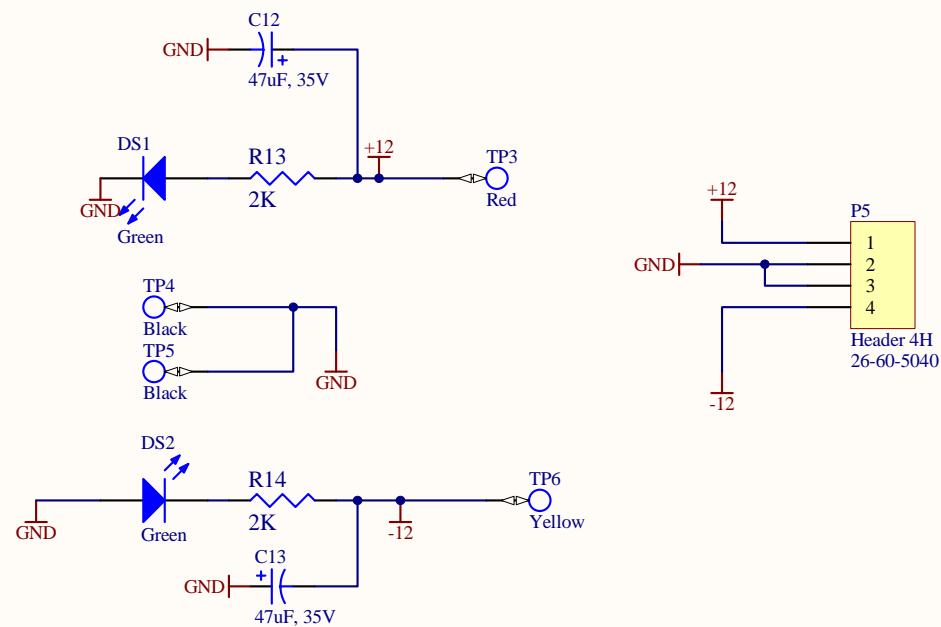
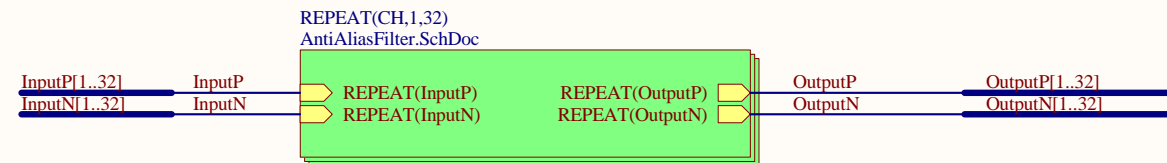
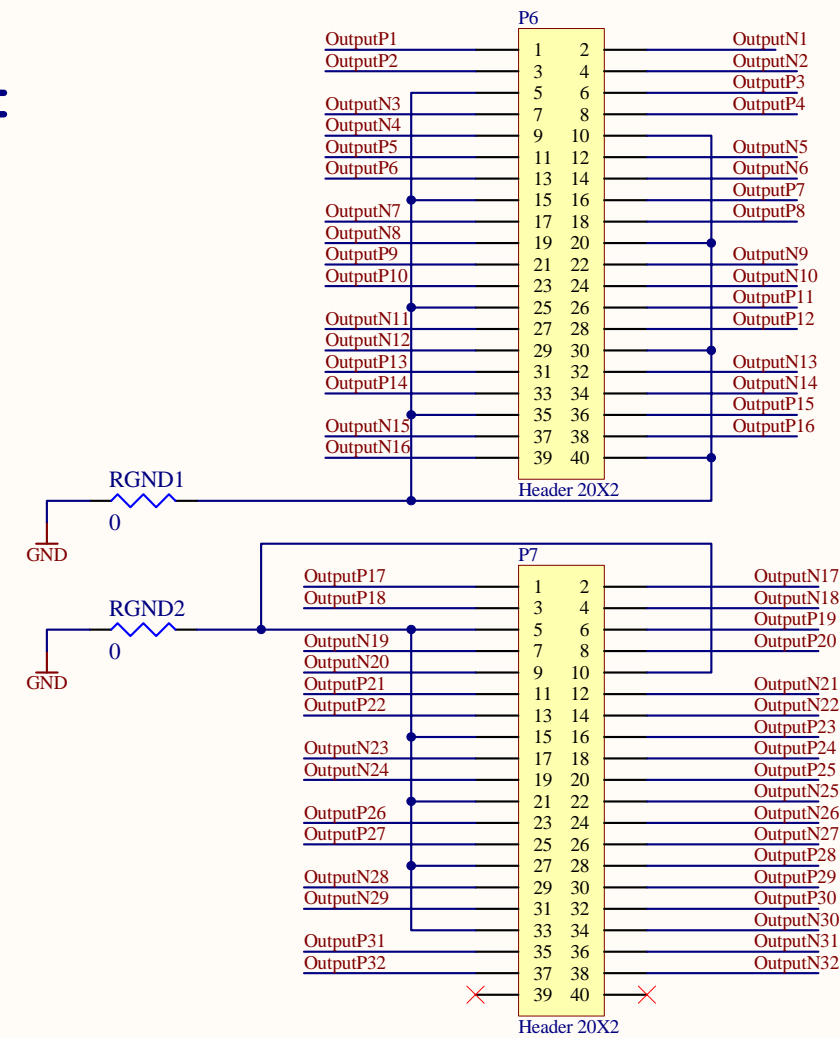


# Diff Inputs to Filters

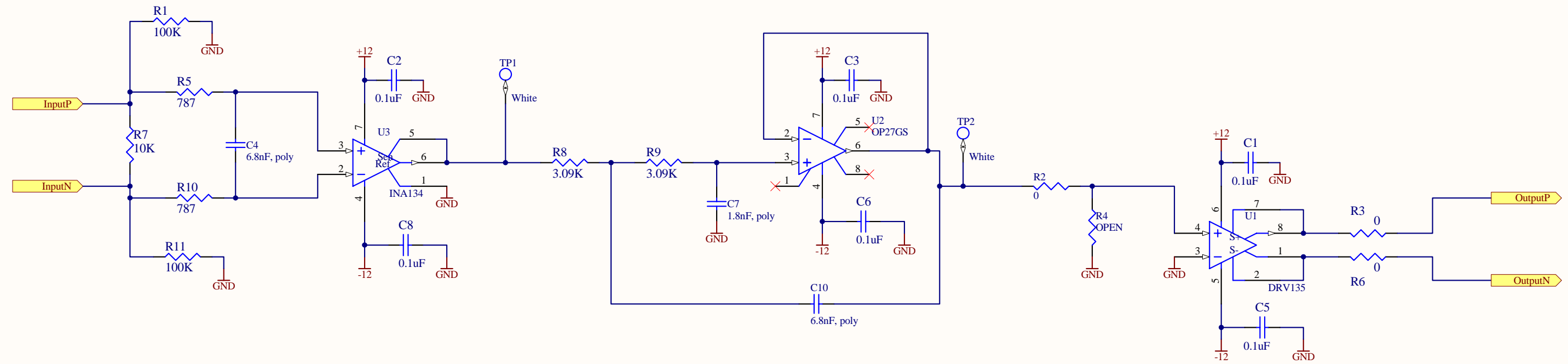


# Diff Outputs to ADC



Title		LIGO Project		California Institute of Technology		Massachusetts Institute of Technology		LIGO	
Size: B		DCC Number: D050374		SCH / PCB Revision: 01		* Engineer: J. Heefner		Date: 6/8/2006	
File: E:\h\cad\ligo\users\jay\AntiAliasAdLSUS\AABoard.SchDoc								Time: 12:07:33 PM	
								Sheet 1 of 2	

### 3rd Order, 15KHz, Butterworth LPF



Title		LIGO Project		LIGO
<b>AdL SUS/SEI Anti-Alias Filter Board</b>		California Institute of Technology Massachusetts Institute of Technology		
Size: B	DCC Number: D050374	SCH / PCB Revision: 01	Engineer: J. Heefner	Date: 6/8/2006
File: E:\h\cad\ligo\users\jay\AntiAliasAdLSUS\AntiAliasFilter.SchDoc				Time: 12:07:33 PM
				Sheet 2 of 2