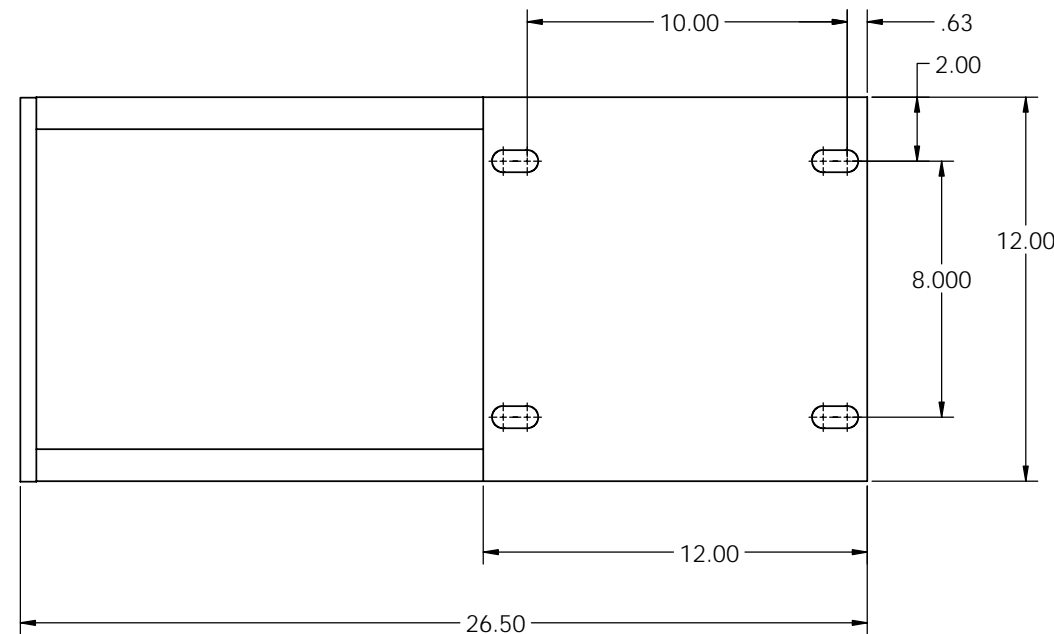
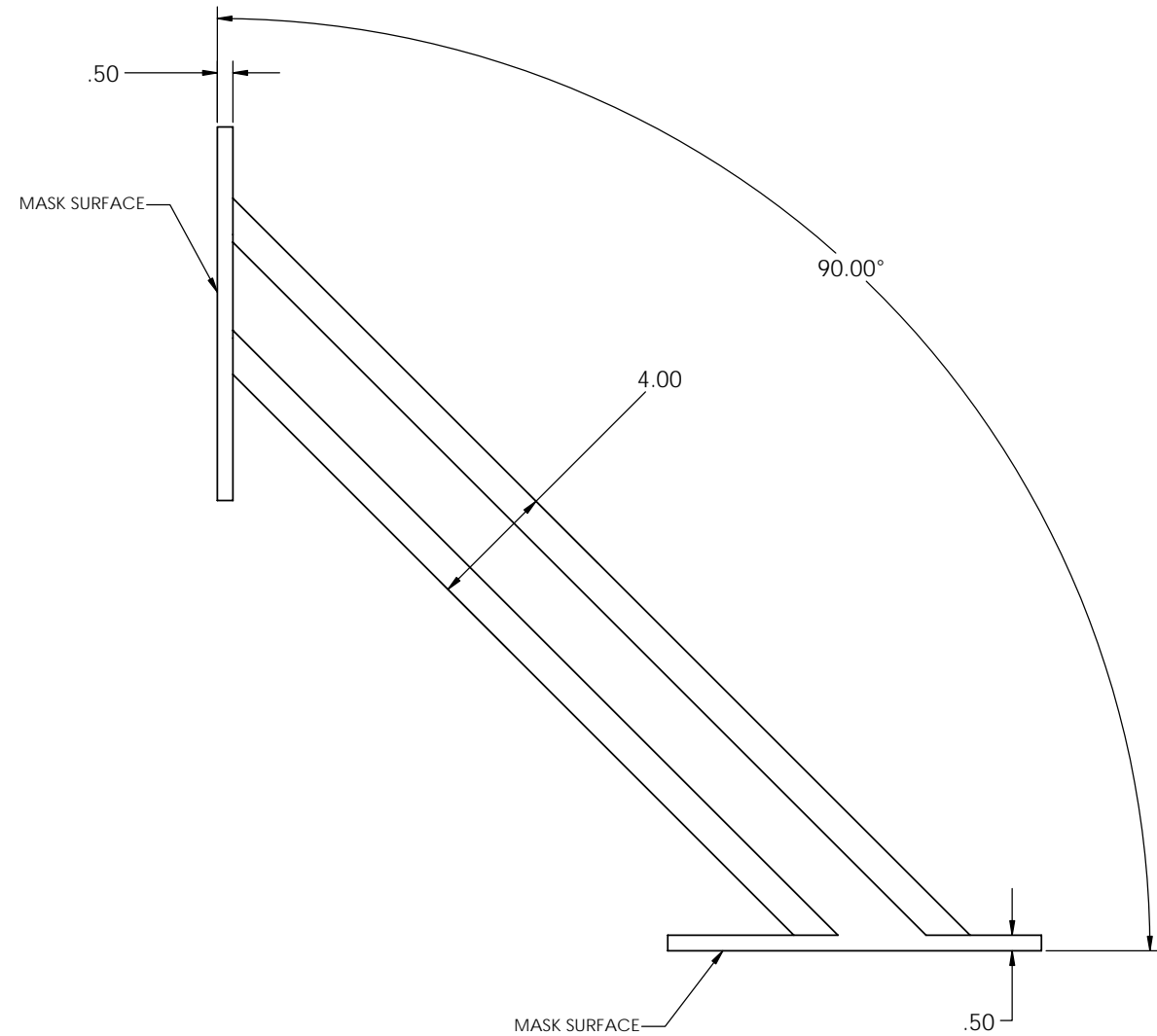
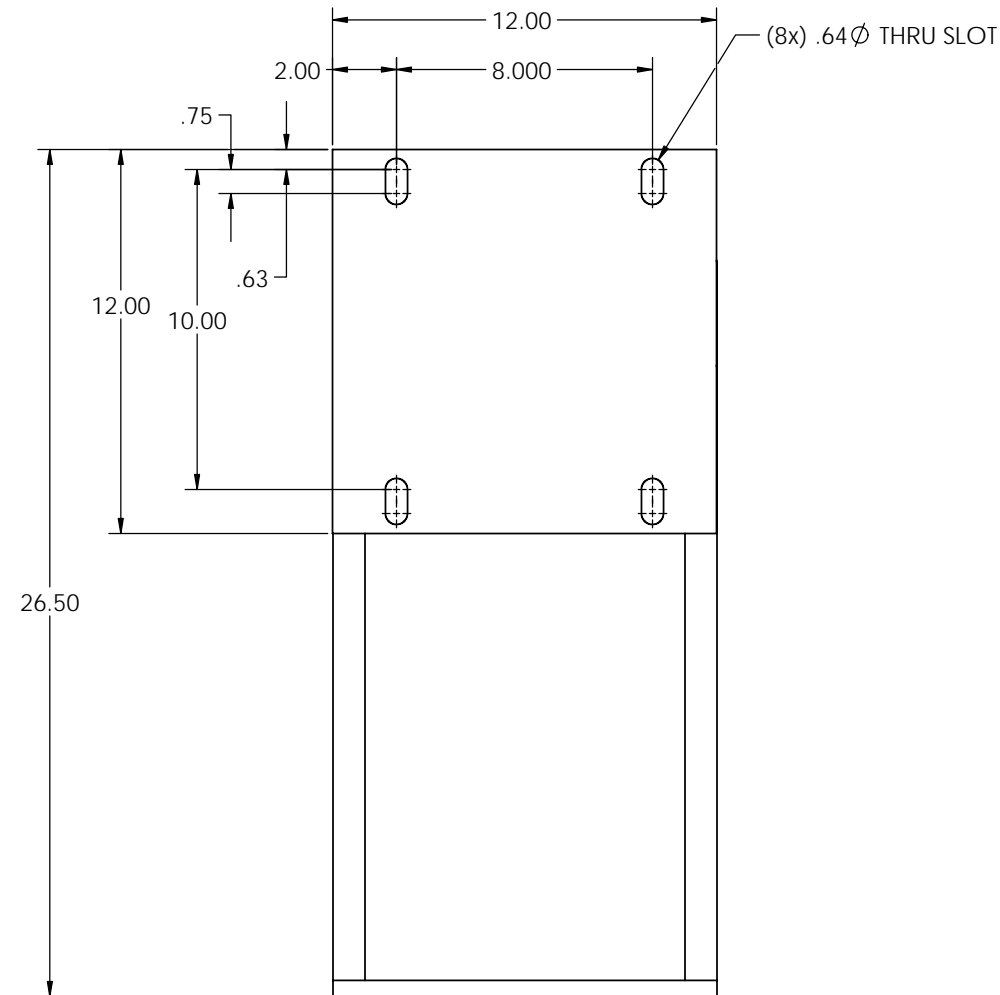


NOTES: (UNLESS OTHERWISE SPECIFIED)



NOTES:

1. ALL DIMENSIONS IN INCHES
2. PART NUMBER (DRAWING NO. PLUS REVISION) TO BE CLEARLY MARKED ON THE PART ITSELF
3. PAINT SMOOTH WHITE, SHERWIN WILLIAMS POLANE T-PLUS POLYURETHANE ENAMEL
4. PRIME WITH SHERWIN WILLIAMS INDUSTRIAL WASH PRIMER P60G2

REV	DATE	DCN #	DRAWING TREE #

ITEM NO.	REQ.	SPARE	TOT. QUANTITY	PART NUMBER	DESCRIPTION	SUPPLIER
PARTS LIST						
UNLESS OTHERWISE SPECIFIED:				DATE	NAME	
DIMENSIONS ARE IN INCHES				6/15/2005	RMASON	
TOLERANCES:				CHECKED		
XX ± .02						
XXX ± .005						
ANGULAR ±						
MATERIAL				COMMENTS	SIZE	DWG. NO.
A500 GR. B					D	D050263-00
FINISH						REV
SEE NOTES						
SCALE:						SHEET 1 OF 1