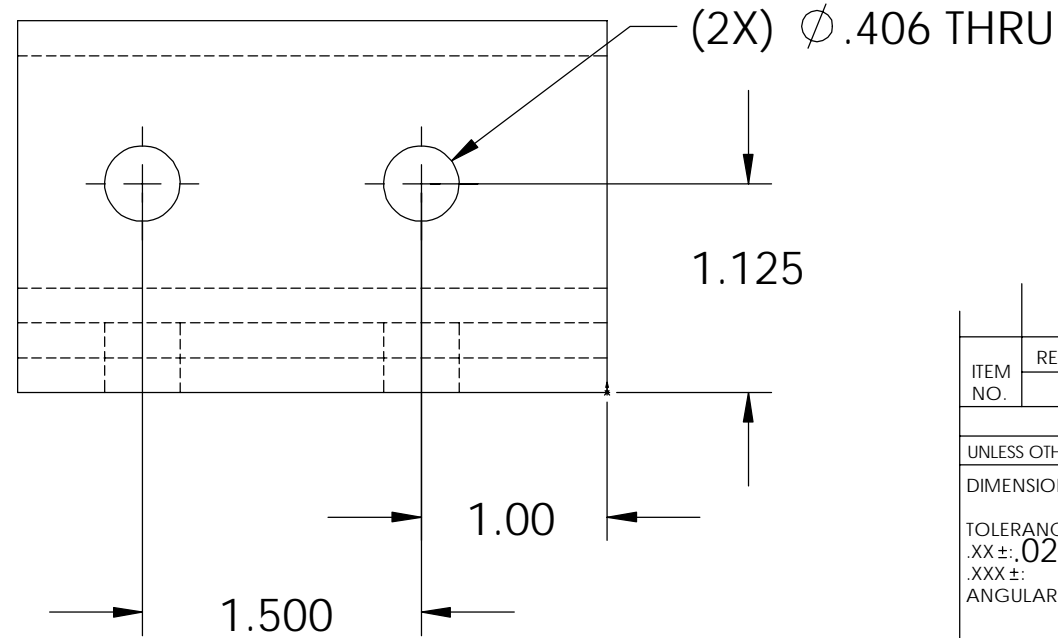
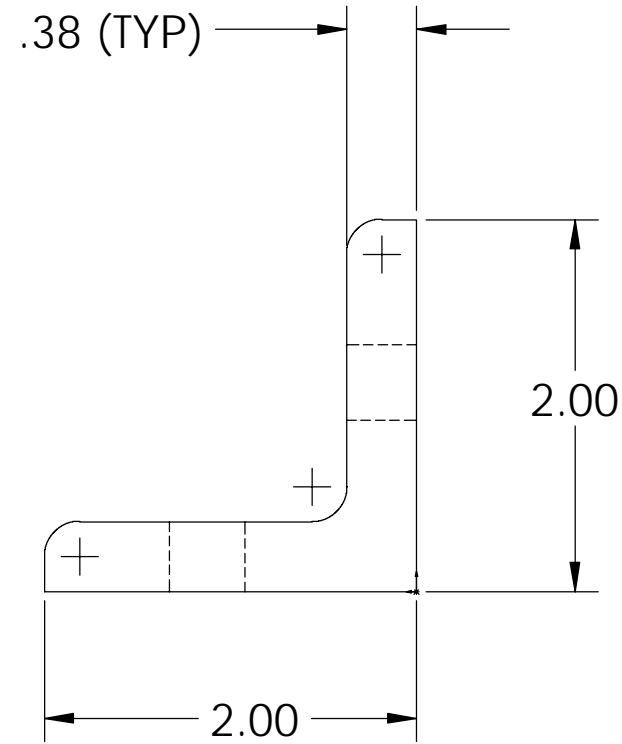
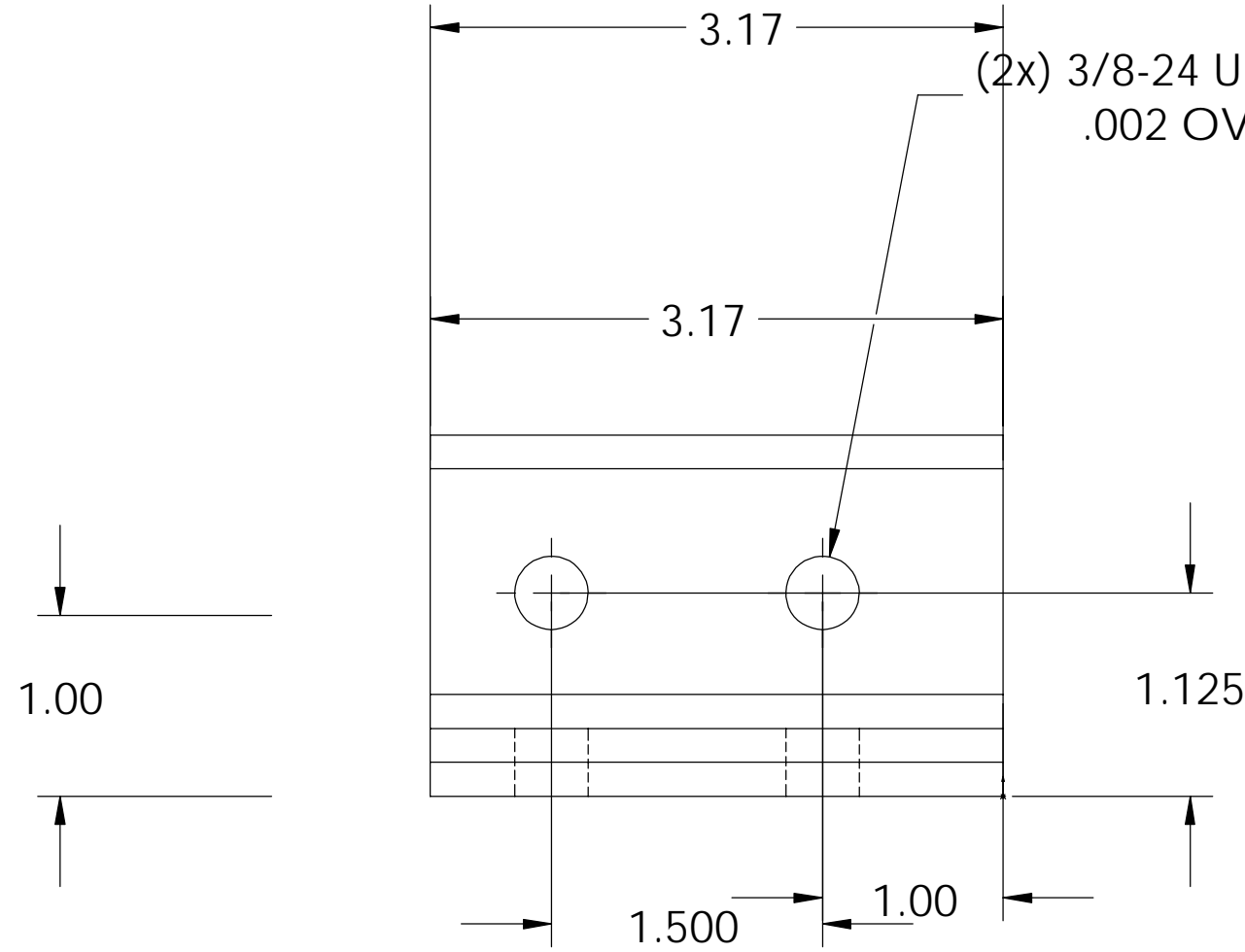



NOTES: (UNLESS OTHERWISE SPECIFIED)

REV.	DATE	DCN #	DRAWING TREE #



ITEM NO.	REQ.	SPARE	TOT.	PART NUMBER	DESCRIPTION	SUPPLIER
PARTS LIST						
UNLESS OTHERWISE SPECIFIED: DIMENSIONS ARE IN INCHES				DATE	NAME	 CALIFORNIA INSTITUTE OF TECHNOLOGY MASSACHUSETTS INSTITUTE OF TECHNOLOGY
TOLERANCES: .XX ±: .02 .XXX ±: .005 ANGULAR: ±				4/6/2005	KMASON	
MATERIAL				COMMENTS:		SYSTEM
6061-T6 AL				NEXT ASSY		SUB-SYSTEM
FINISH				PART NAME		LASTI SOLID STACK ASSEMBLY
NONE				SHORT ANGLE, LEFT		REV
SCALE:				DWG. NO.		REV
				D050167-00-D		
				SHEET 1 OF 1		