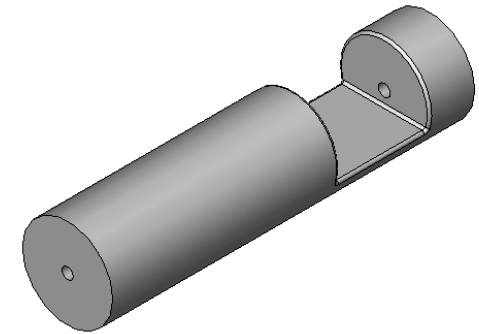
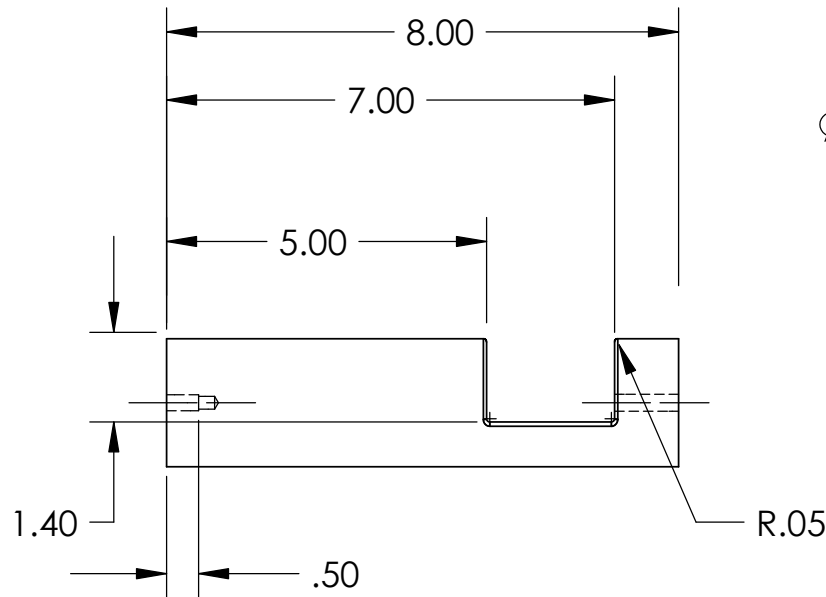
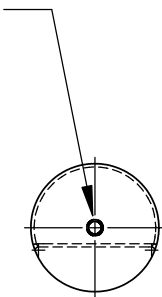


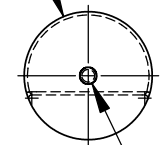
REV.	DATE	DCN #	DRAWING TREE #
A	24 JUNE 2004	E040303-00	



1/4-20 UNC
+.005 oversize tap



Ø 2.00



Ø .266
▽ 1.0

D040259_ADVANCED LIGO MC UPPER MASS TABLE JIG.step



NOTES: (UNLESS OTHERWISE SPECIFIED)		CALIFORNIA INSTITUTE OF TECHNOLOGY LIGO MASSACHUSETTS INSTITUTE OF TECHNOLOGY IGR, GLASGOW UNIVERSITY GEO 600 GROUP													
1. DO NOT SCALE FROM DRAWING 2. REMOVE ALL SHARP EDGES, R.02 MAX. 3. DO NOT SCALE FROM DRAWING. 4. ALL MACHINING FLUIDS SHALL BE WATER SOLUBLE AND FREE OF SULFUR, CHLORINE AND SILICONE, SUCH AS CINCINNATI MILACRON'S CIMTECH 410 (STAINLESS STEEL)		SYSTEM ADVANCED LIGO													
5. SCRIBE, ENGRAVE OR STAMP DRAWING PART NUMBER ON NOTED SURFACE OF PART AND THEN A THREE DIGIT SERIAL NUMBER. SERIAL NUMBERS START AT 001 FOR THE FIRST PART AND PROCEED CONSECUTIVELY. USE .07" HIGH CHARACTERS. EXAMPLE: D020188-001. A VIBRATORY TOOL MAY BE USED.		SUB-SYSTEM SUS													
DIMENSIONS ARE IN INCHES TOLERANCES: .XX ± 0.01 .XXX ± 0.005 ANGULAR ± 0.5 °		NEXT ASSY ALIGO MC													
MATERIAL 6061-T6-AL		PART NAME TABLE CLOTH AND UPPER MASS TABLE JIG													
FINISH - µ inch		SCALE: 1:4 PROJECTION: SHEET 1 OF 1													
<table border="1"> <thead> <tr> <th></th> <th>NAME</th> <th>DATE</th> </tr> </thead> <tbody> <tr> <td>DRAWN</td> <td>CIT</td> <td>MAY 21 2004</td> </tr> <tr> <td>CHECKED</td> <td></td> <td></td> </tr> <tr> <td>APPROVED</td> <td></td> <td></td> </tr> </tbody> </table>			NAME	DATE	DRAWN	CIT	MAY 21 2004	CHECKED			APPROVED			SIZE A DWG. NO. D040259 REV. A	
	NAME	DATE													
DRAWN	CIT	MAY 21 2004													
CHECKED															
APPROVED															