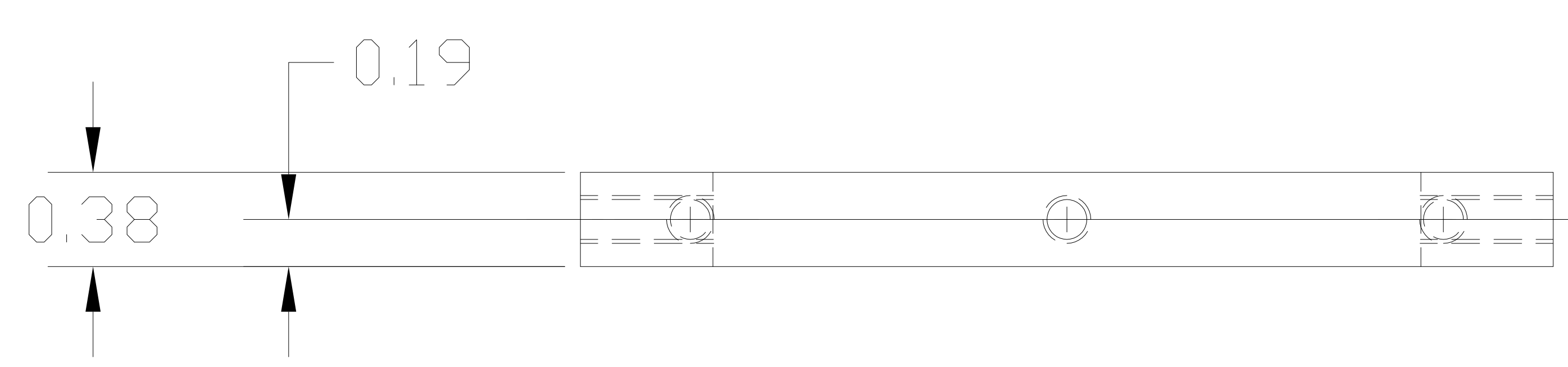
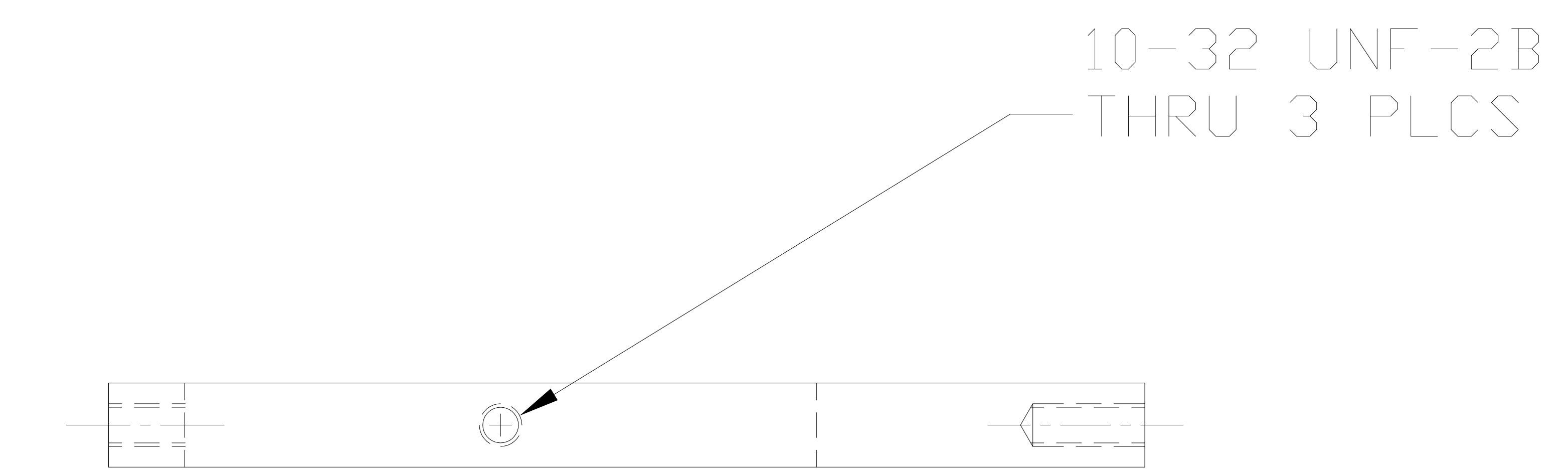
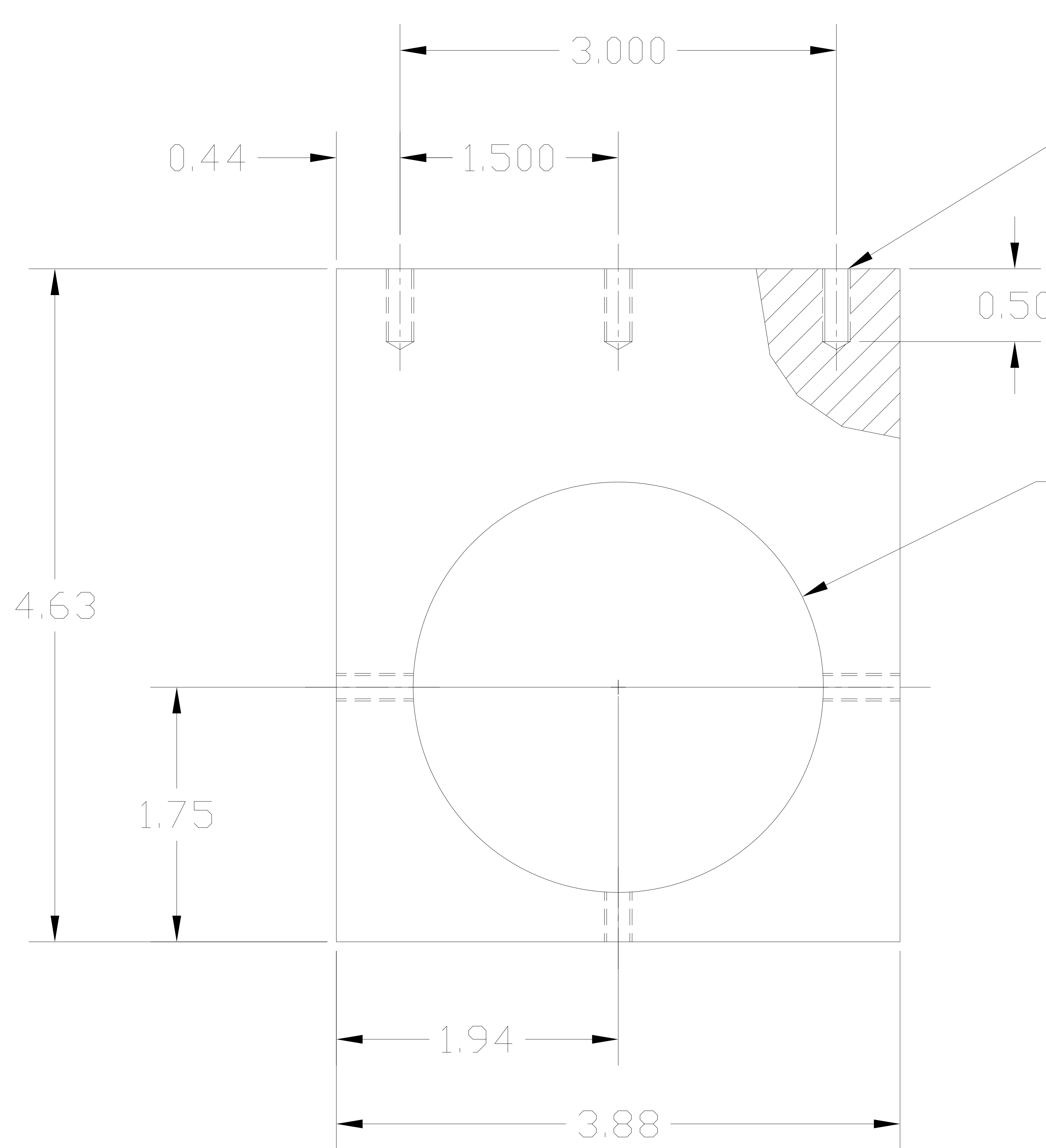


NOTES: (UNLESS OTHERWISE SPECIFIED)

REV.	DATE	DCN #	DRAWING TREE #
A	6.2.04	E040280-00	



ITEM NO.	REQ. QUANTITY	SPARE	TOT. QUANTITY	PART NUMBER	DESCRIPTION	SUPPLIER
PARTS LIST						
UNLESS OTHERWISE SPECIFIED:				DRAWN	DATE	NAME
DIMENSIONS ARE IN INCHES					1-29-04	SMITH
TOLERANCES:				CHECKED		
.XX ±0.01						
.XXX ±0.005						
ANGULAR *1 DEG						
MATERIAL:				COMMENTS:		
ALUM 6061-T6						
BLACK ANODIZE						
				SIZE	DWG. NO.	REV
				C	D040057-A-D	A
				SCALE:		SHEET 1 OF 1