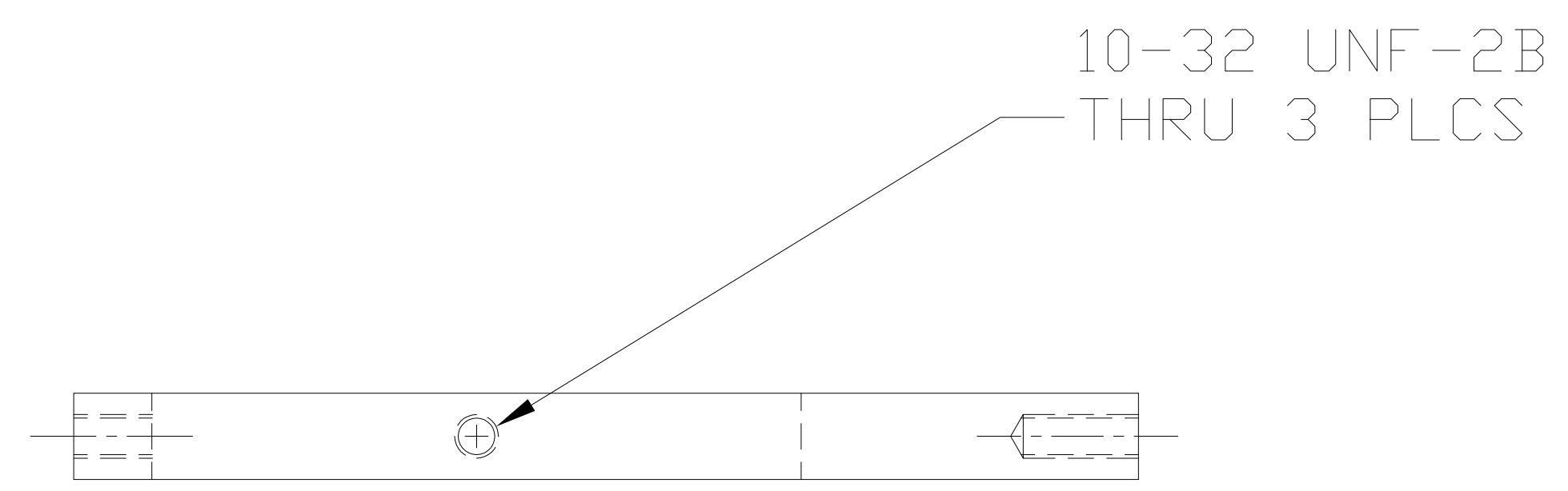
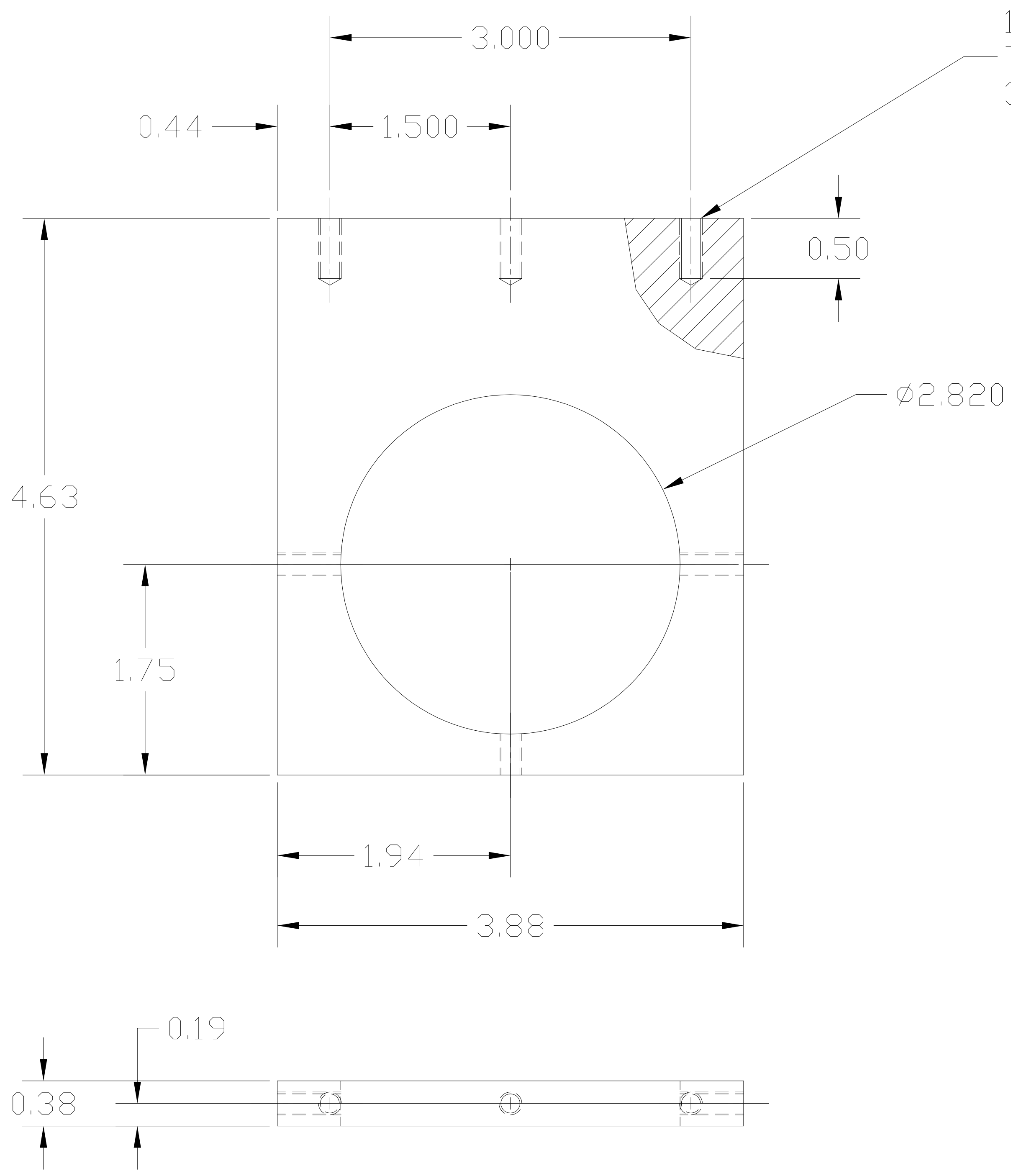


NOTES: (UNLESS OTHERWISE SPECIFIED)

| REV. | DATE | DCN # | DRAWING TREE # |
|------|------|-------|----------------|
| A | - | - | |
| | | | |
| | | | |



| ITEM NO. | REQ. QUANTITY | SPARE | TOT. QUANTITY | PART NUMBER | DESCRIPTION | SUPPLIER |
|---------------------------------------------------------|---------------|-------|---------------|-------------|-------------|--------------|
| PARTS LIST | | | | | | |
| UNLESS OTHERWISE SPECIFIED: DIMENSIONS ARE IN INCHES | | | | DRAWN | DATE | NAME |
| | | | | | 1-29-04 | SMITH |
| TOLERANCES: .XX ±0.01 .XXX ±0.005 | | | | CHECKED | | |
| ANGULAR *1 DEG | | | | | | |
| MATERIAL: ALUM 6061-T6 | | | | | | |
| BLACK ANODIZE | | | | COMMENTS: | | |
| | | | | | SIZE | DWG. NO. |
| | | | | | C | D040057-00-D |
| | | | | | SCALE: | REV |
| | | | | | | 00 |
| | | | | | | SHEET 1 OF 1 |