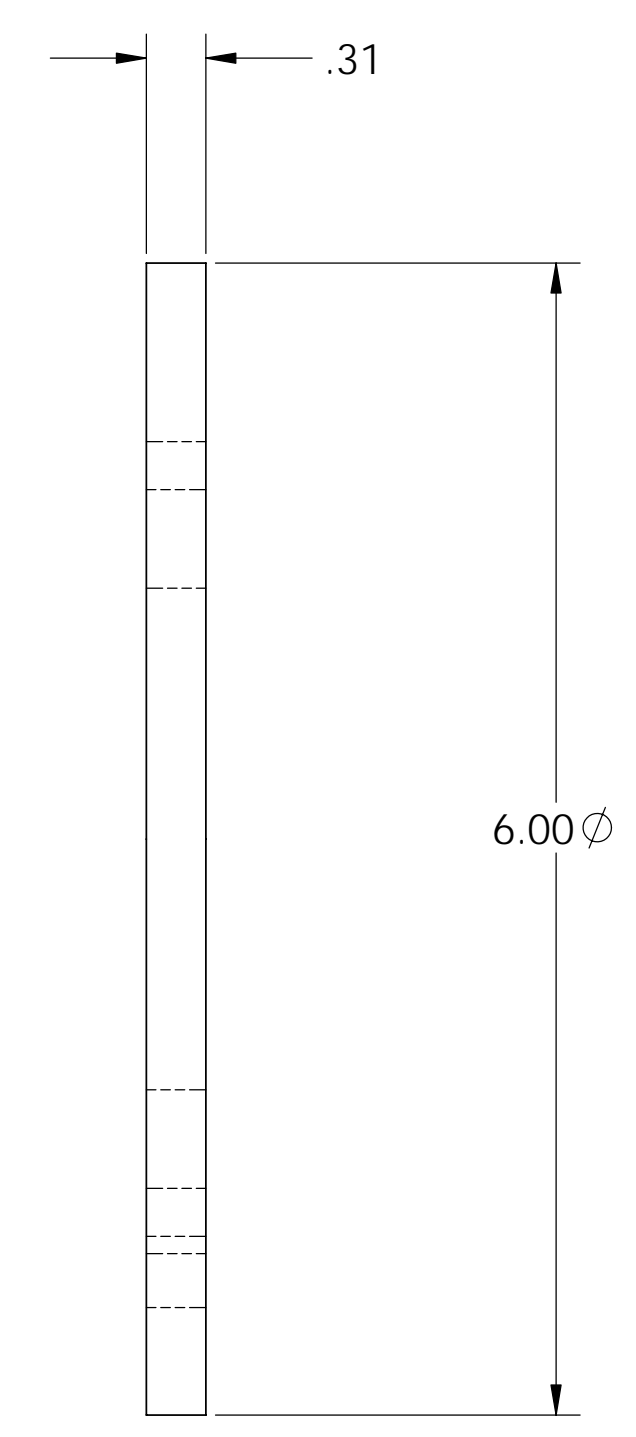
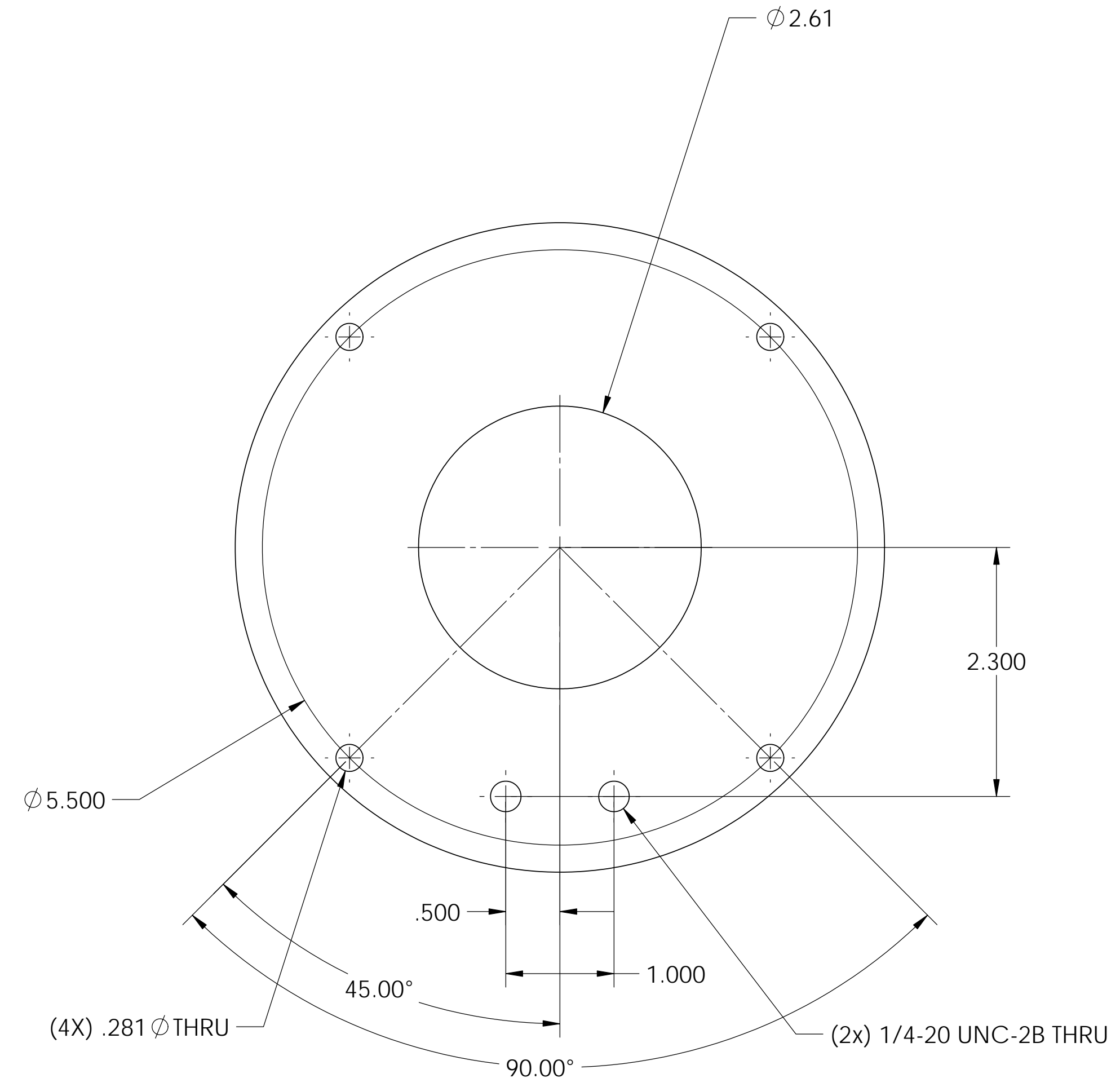


NOTES: (UNLESS OTHERWISE SPECIFIED)

REV.	DATE	DCN #	DRAWING TREE #



ITEM NO.	REQ. QUANTITY	SPARE QUANTITY	TOT. QUANTITY	PART NUMBER	DESCRIPTION	SUPPLIER
<b>PARTS LIST</b>						
UNLESS OTHERWISE SPECIFIED:				DATE	NAME	<b>CALIFORNIA INSTITUTE OF TECHNOLOGY</b> <b>MASSACHUSETTS INSTITUTE OF TECHNOLOGY</b>
DIMENSIONS ARE IN INCHES				5/5/04		
TOLERANCES:				CHECKED		SYSTEM
.XX ± .01						SUB-SYSTEM
.XXX ± .005						NEXT ASSY
ANGULAR ± 1 DEG						PART NAME
MATERIAL				COMMENTS:		SIZE DWG. NO.
6061-T6 AL						<b>C</b> D040007-A-D
FINISH						REV
CLEAR ANODIZE						<b>A</b>
SCALE:						SHEET 1 OF 1