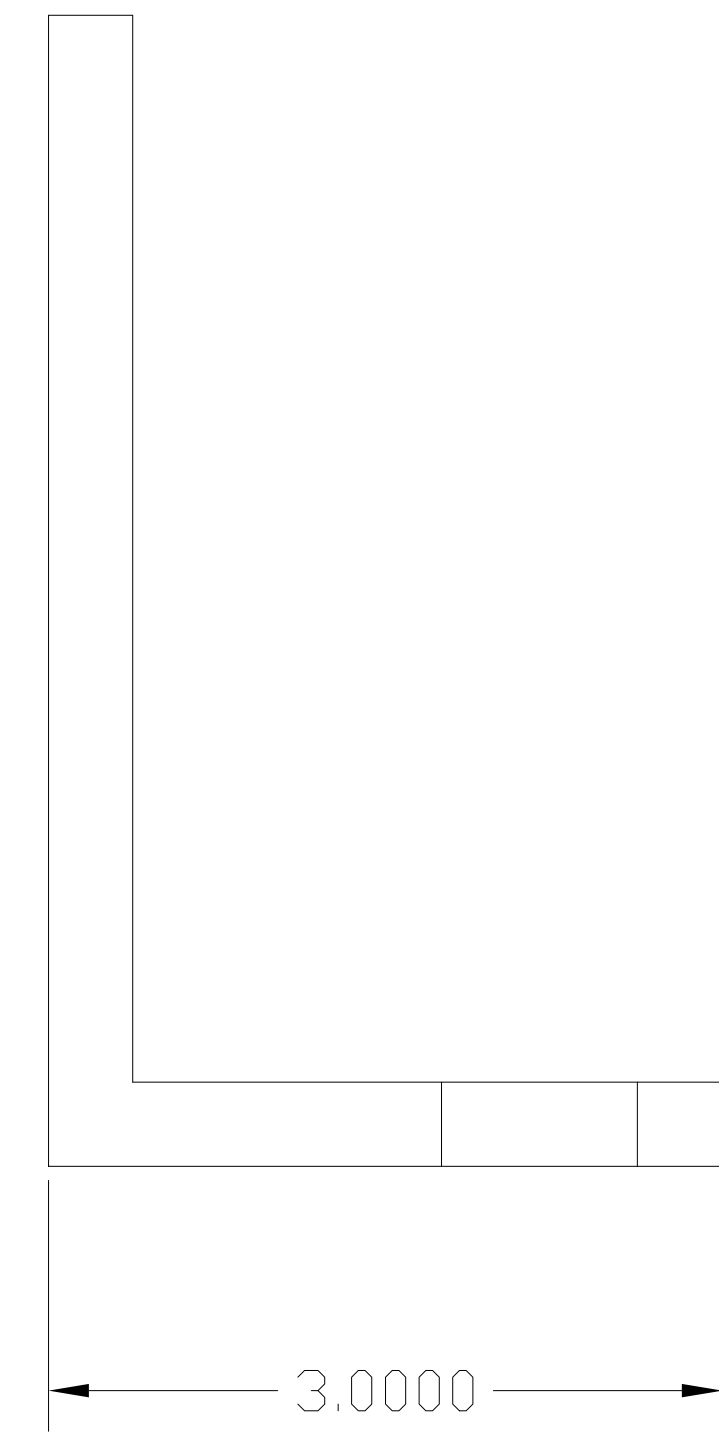
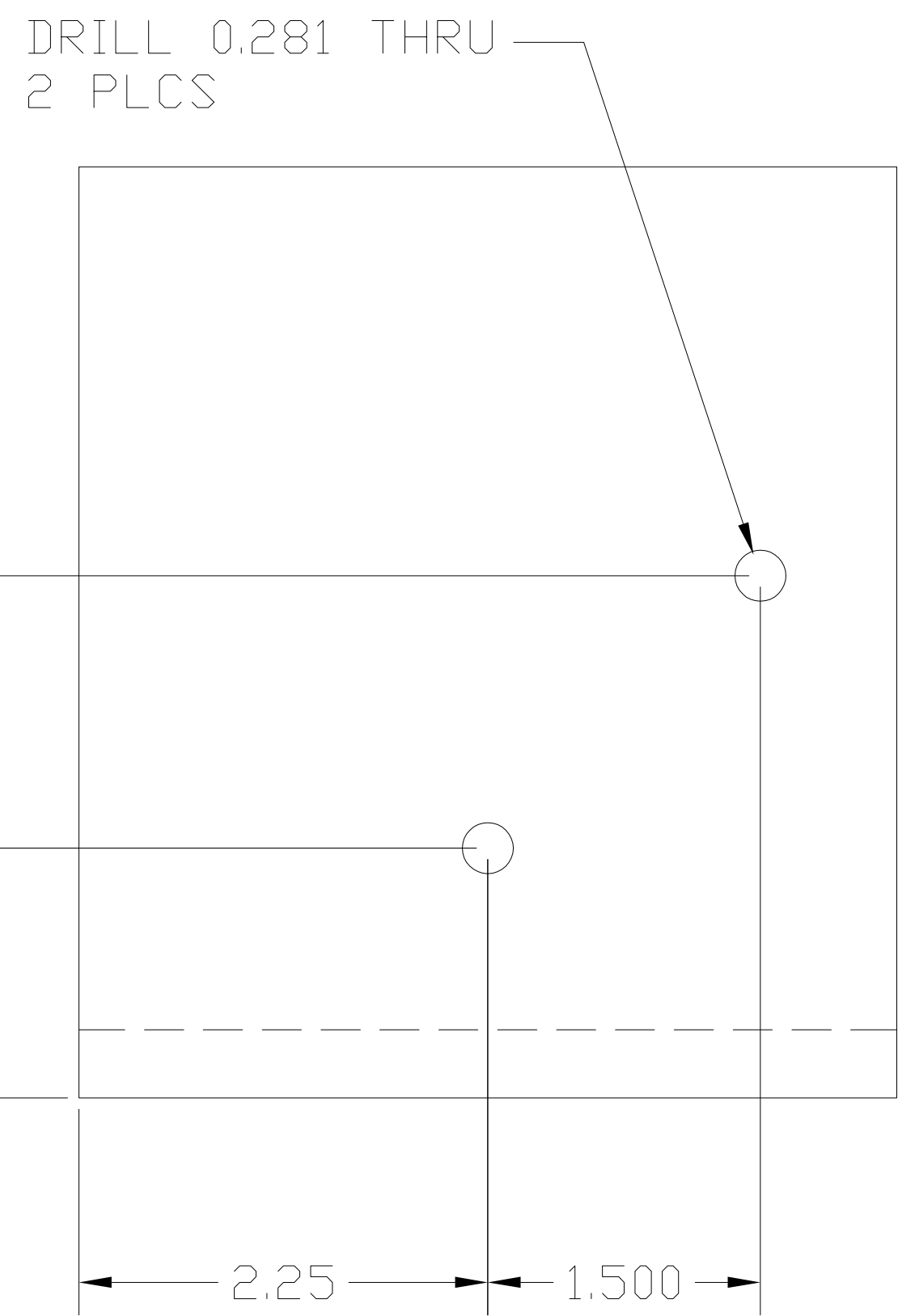
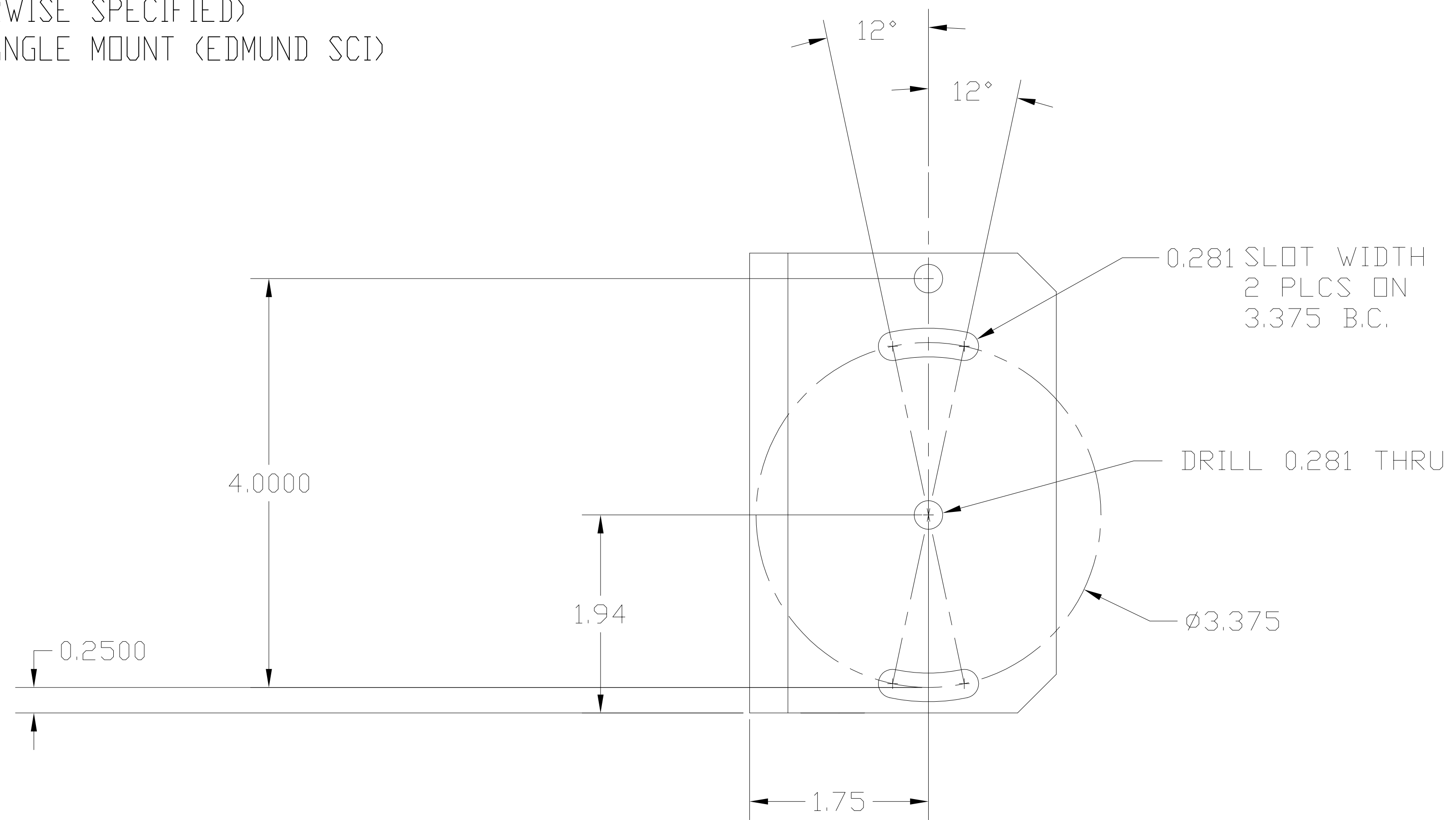


NOTES: (UNLESS OTHERWISE SPECIFIED)  
 MAKE FROM H36-482 ANGLE MOUNT (EDMUND SCI)

REV.	DATE	DCN #	DRAWING TREE #
A	-	-	-



ITEM NO.	REQ.	SPARE	TOT. QUANTITY	PART NUMBER	DESCRIPTION	SUPPLIER
UNLESS OTHERWISE SPECIFIED: DIMENSIONS ARE IN INCHES						
TOLERANCES: .XX ± 0.01 .XXX ± 0.005 ANGULAR: X ± 1 DEG X.X ± 0.2 DEG				DATE	NAME	CALIFORNIA INSTITUTE OF TECHNOLOGY MASSACHUSETTS INSTITUTE OF TECHNOLOGY
MATERIAL: ALUM 6061-T6				DRAWN 12-6-03	M.R. SMITH	
FINISH: BLACK ANODIZE				CHECKED		THERMAL COMPENSATION
						CO2 LASER MASK PROJECTOR
						MODIFICATION 4.5 IN MIRROR MT
				COMMENTS: BREAK CORNERS AND EDGES REMOVE ALL BURRS	SIZE B	DWG. NO. D030803-00-D
						REV 00
					SCALE:	SHEET 1 OF 1