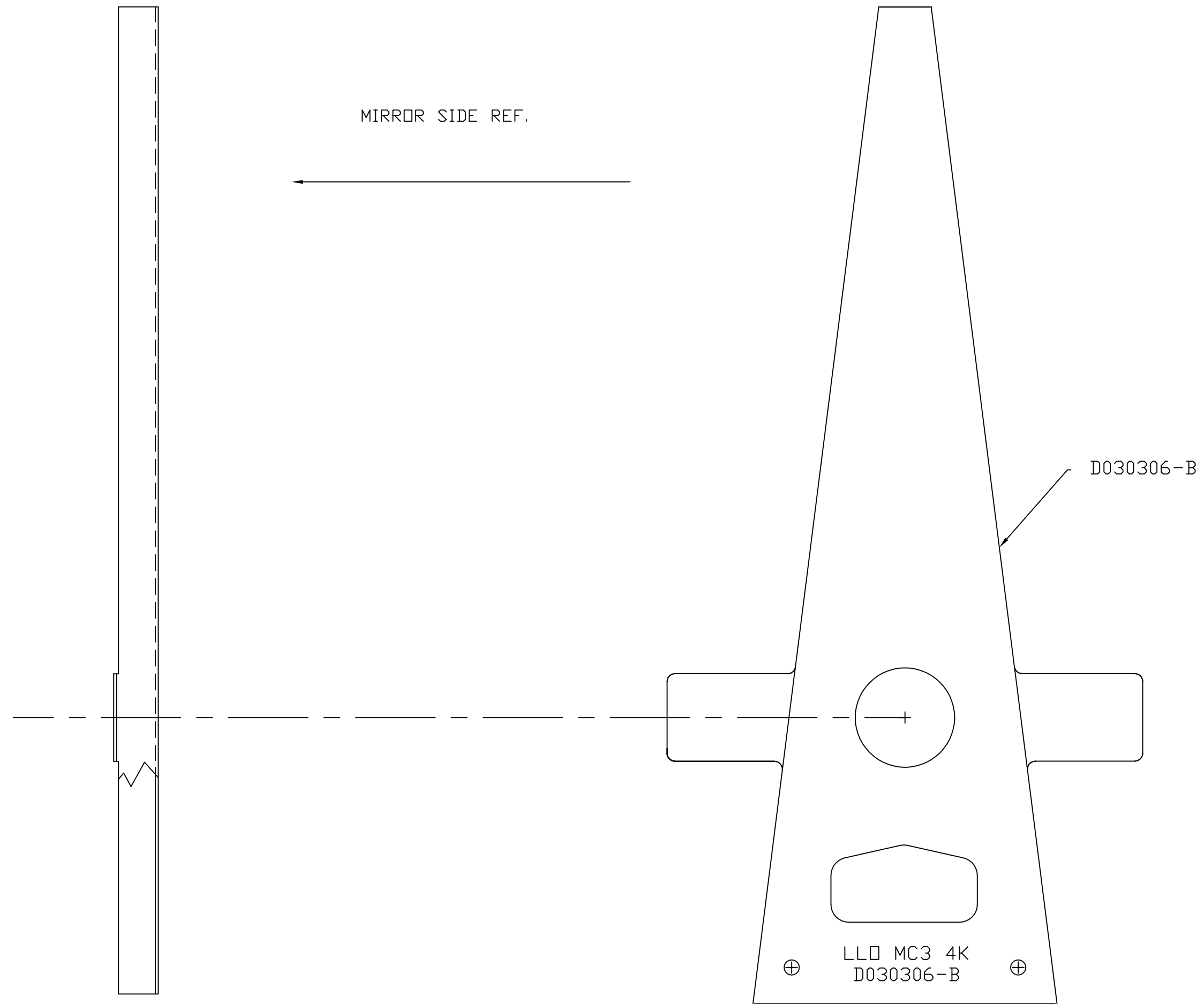


NOTES: (UNLESS OTHERWISE SPECIFIED)

SEE:
 MADE FROM MASTER LASER CUT
 DRAWING D040267-A
 D030429-A BAFFLE FRAME BEND DRW.
 T040126-00-D BAFFLE FURNACE BAKE
 PROCEDURE.doc

REV.	DATE	DCN #	DRAWING TREE #
A	4-20-04	E040170-00-D	
B	4-20-04	E040170-00-D	



ITEM NO.	REQ. QUANTITY	SPARE	TOT. QUANTITY	PART NUMBER	DESCRIPTION	SUPPLIER
PARTS LIST						
UNLESS OTHERWISE SPECIFIED: DIMENSIONS ARE IN INCHES				DATE	LIGO CALIFORNIA INSTITUTE OF TECHNOLOGY MASSACHUSETTS INSTITUTE OF TECHNOLOGY	
TOLERANCES:				DRAWN	4/20/04	KENM
XX ± .005				CHECKED		
XXX ± .01						
ANGULAR ± 3 DEG						
MATERIAL N/A				SYSTEM LLO		
FINISH NONE				SUB-SYSTEM ERRANT BEAM BAFFLES		
				NEXT ASSY N/A		
				PART NAME BAFFLE LLO 4K_HAML_MC3		
				SIZE	DWG. NO.	REV
				C	D030306-B	B
				SCALE:	SHEET 1 OF 1	