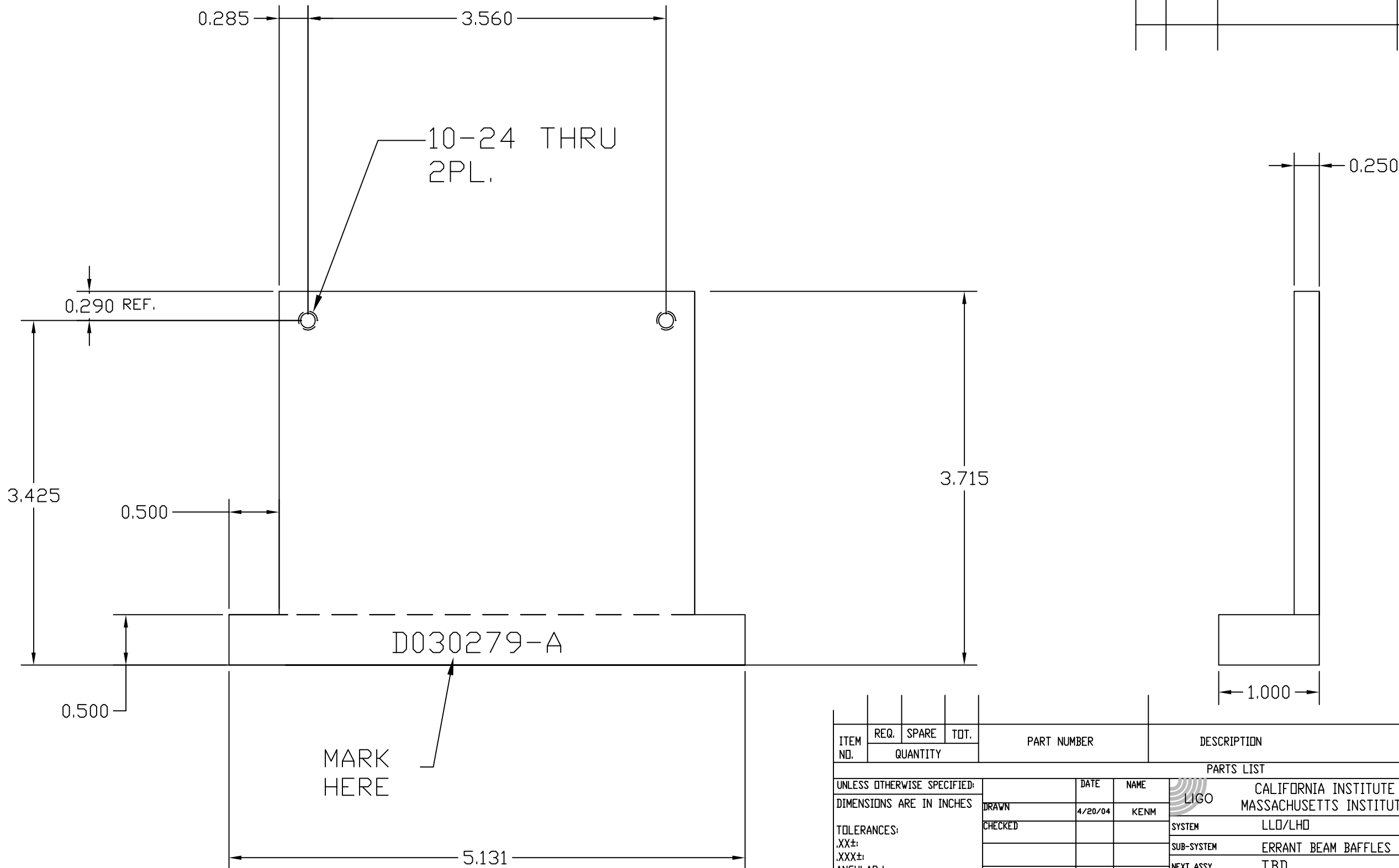


NOTES: (UNLESS OTHERWISE SPECIFIED)

REV.	DATE	DCN #	DRAWING TREE #
A	4/20/04	E040170-00-D	



ITEM NO.	REQ.	SPARE	TOT. QUANTITY	PART NUMBER	DESCRIPTION	SUPPLIER
PARTS LIST						
UNLESS OTHERWISE SPECIFIED: DIMENSIONS ARE IN INCHES				DATE	NAME	LIGO CALIFORNIA INSTITUTE OF TECHNOLOGY MASSACHUSETTS INSTITUTE OF TECHNOLOGY
TOLERANCES: .XX±: .XXX±: ANGULAR±:				DRAWN	4/20/04	KENM
MATERIAL ALUM				CHECKED		SYSTEM LLO/LHD
FINISH N/A						SUB-SYSTEM ERRANT BEAM BAFFLES
						NEXT ASSY TBD
				COMMENTS:		PART NAME BAFFLE FOOT 2K-4K MMT2
						SIZE B DWG. NO. D030279-A REV A
						SHEET 1 OF 1