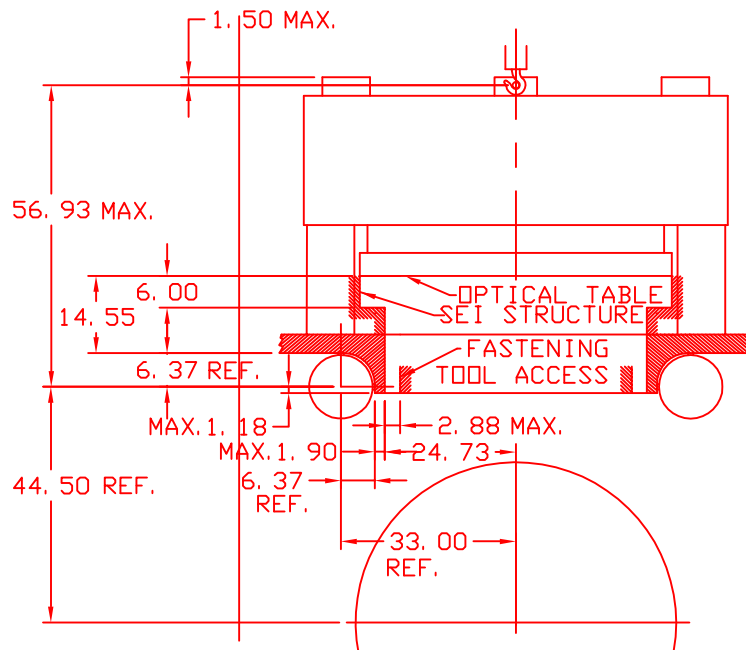
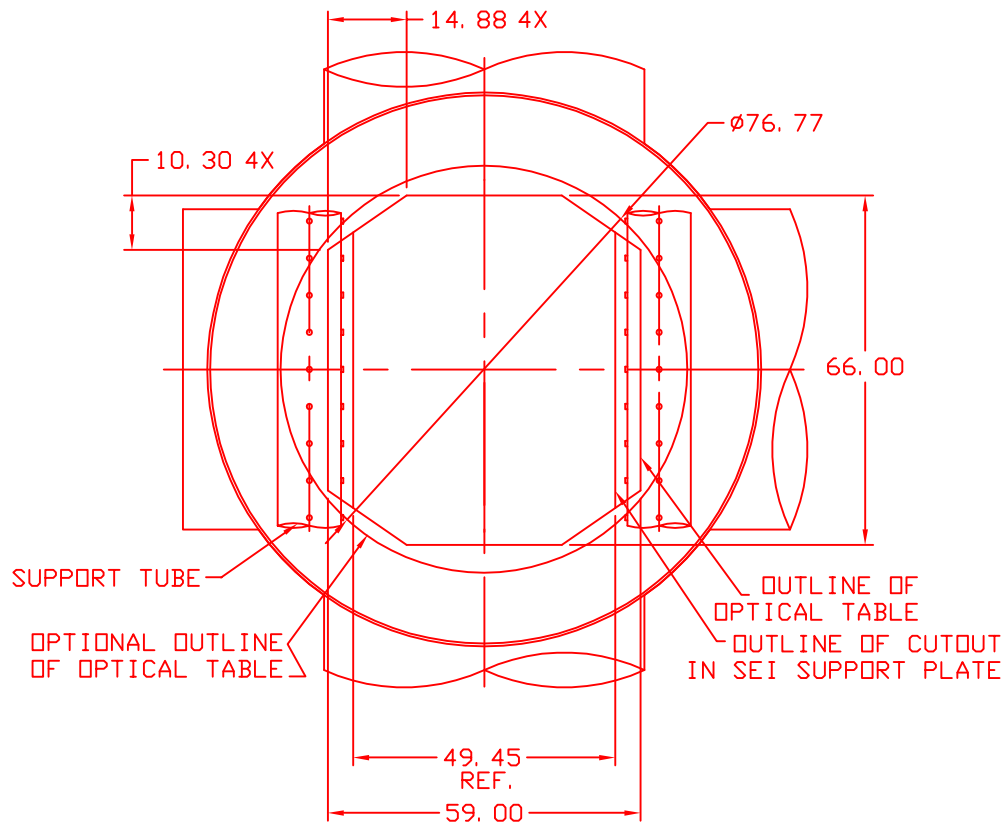


NOTES: (UNLESS OTHERWISE SPECIFIED)

REV.	DATE	DCN #	DRAWING TREE #
A	5/5/04	E040212-00	



DIMENSIONS ARE IN INCHES

TOLERANCES:  
 .XX ±  
 .XXX ±  
 ANGULAR ±

MATERIAL

NA

FINISH

NA

	NAME	DATE
DRAWN	L. JONES	5/4/04
CHECKED	D. COYNE	5/6/04

COMMENTS:

CALIFORNIA INSTITUTE OF TECHNOLOGY  
 MASSACHUSETTS INSTITUTE OF TECHNOLOGY

SYSTEM ADL SEI

SUB-SYSTEM SEI BSC

NEXT ASSY NA

PART NAME ADL SEI BSC OPTICAL TABLE & STRUCTURE LIMITS

SIZE DWG. NO.

A D030100

REV.  
A

SCALE:

SHEET 1 OF 1