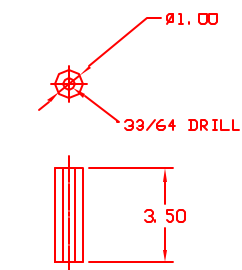
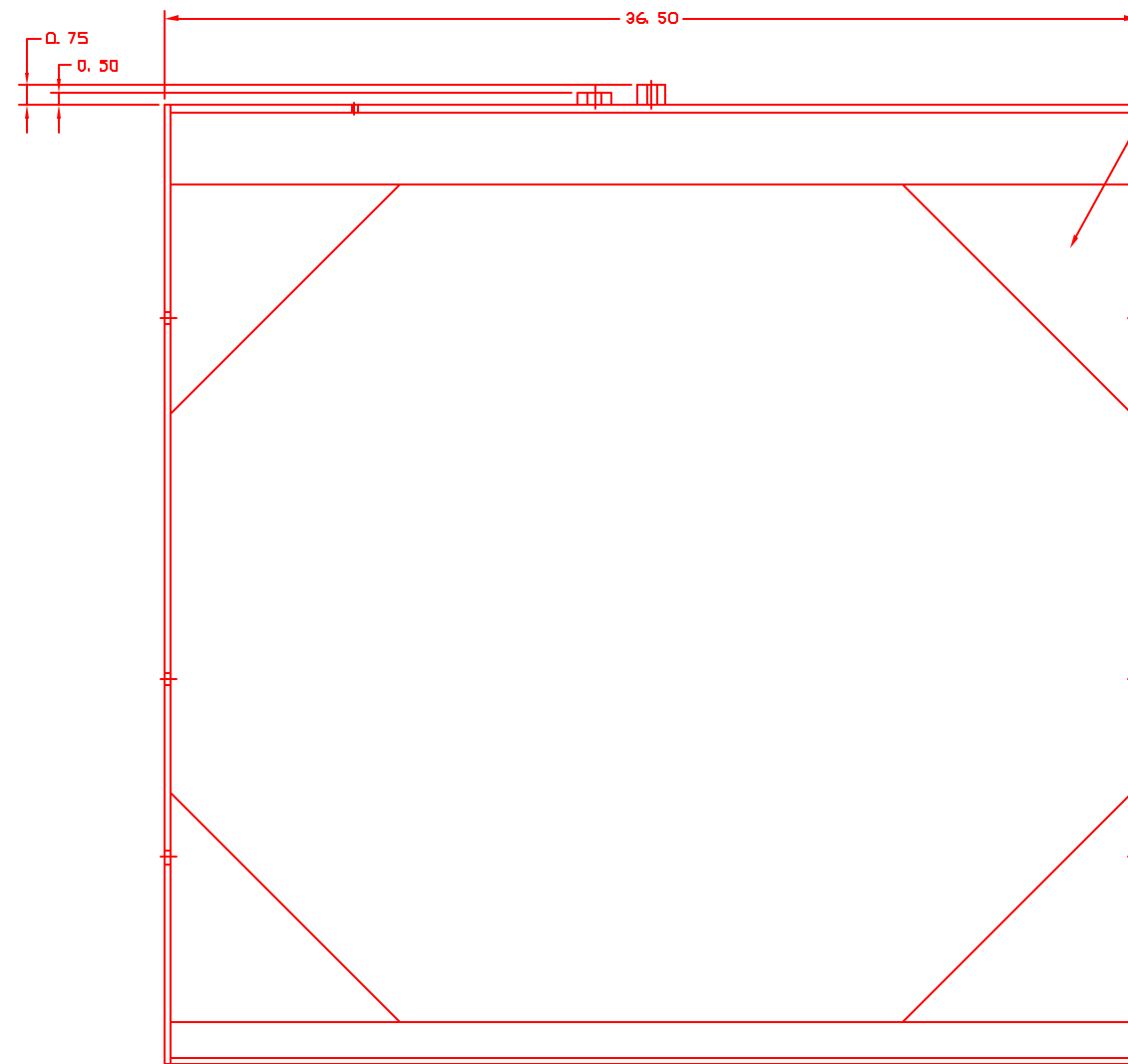
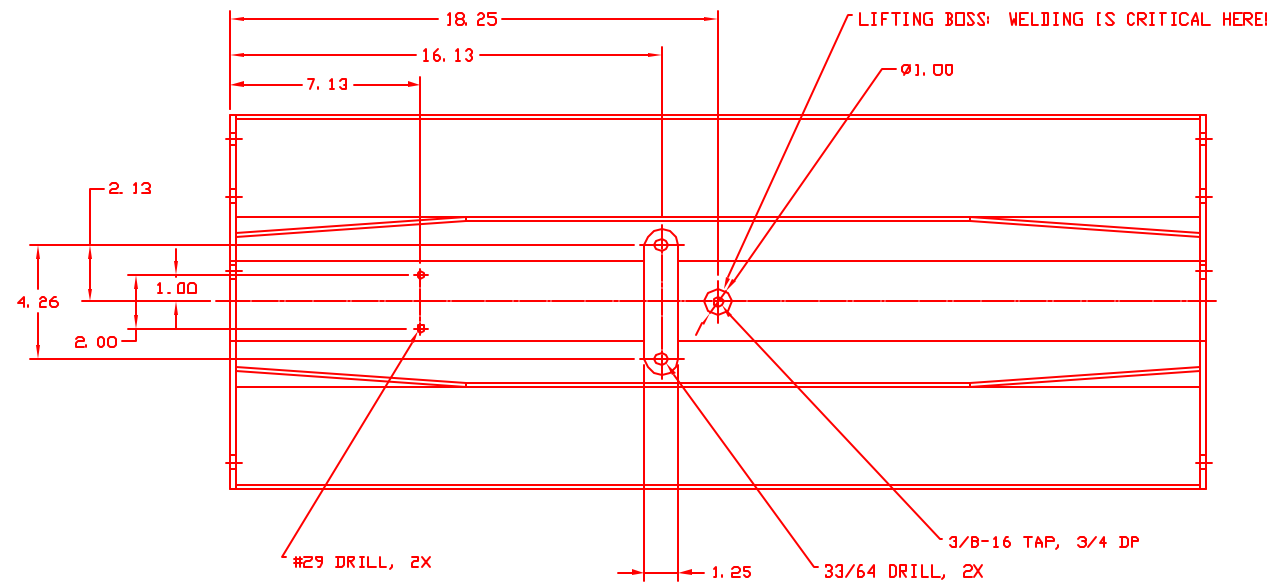


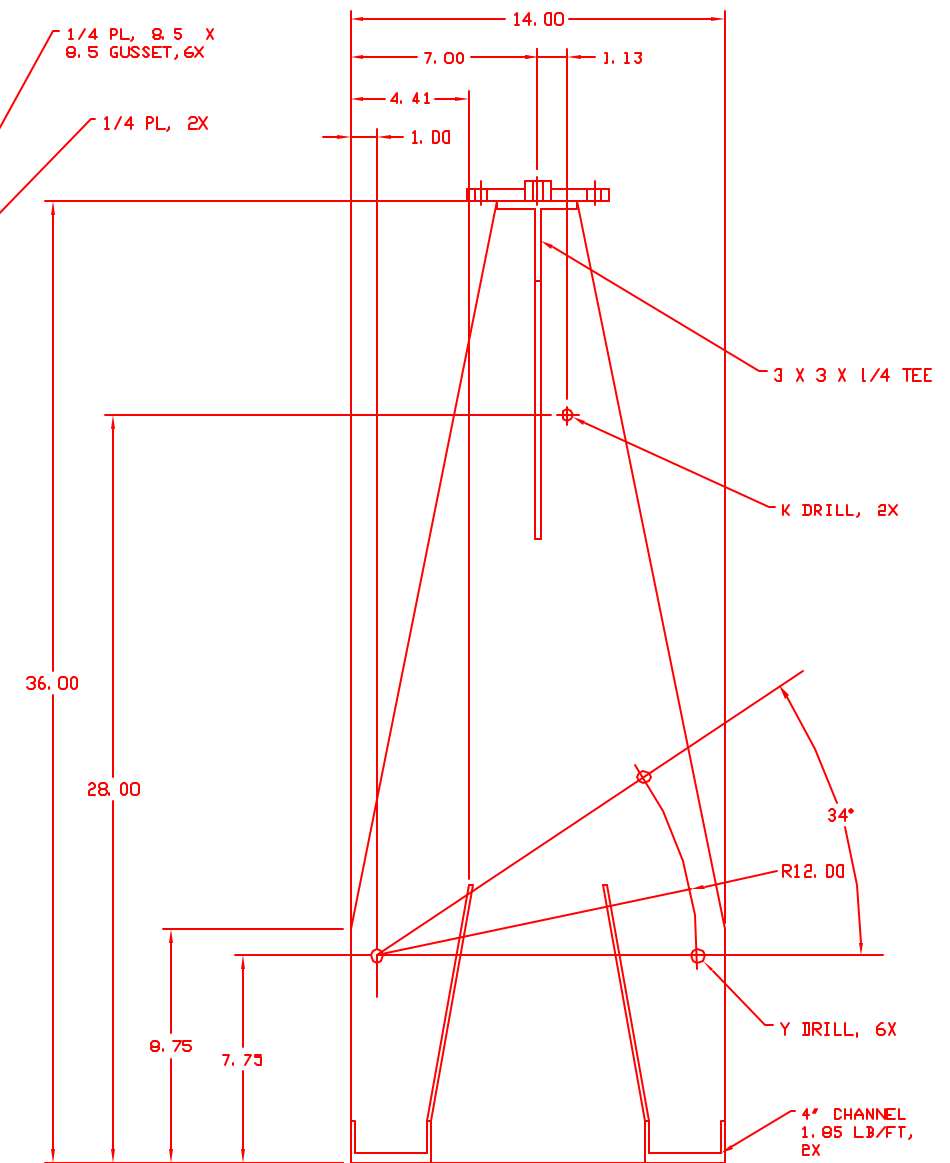
LIFT ARM 2 REQ'D.
 MATERIAL: 6063-T52 ALUMINUM, OR
 STRONGER



SLEEVE 2 REQ'D.
 MATERIAL: ALUMINUM



FRAME 1 REQ'D.
 MATERIAL: 6061-T6 ALUMINUM
 WELDED CONSTRUCTION



DO30019-00
 CHAMBER DOOR HOLDER
 40M LAB LIGO PROJECT
 L JONES 1/22/03

ALL DIMENSIONS ARE IN INCHES
 TOLERANCES: X.X: +/- 0.1"
 XX.X: +/- 0.03"
 XXX.X: +/- 0.005"