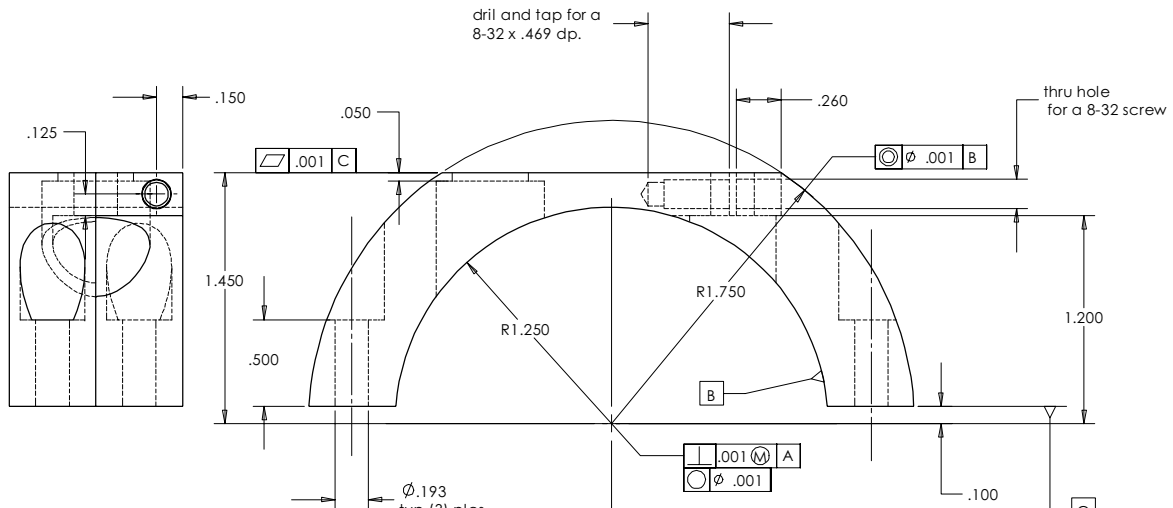
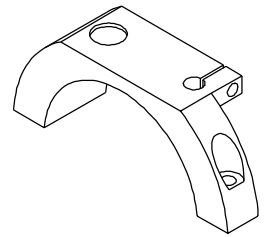


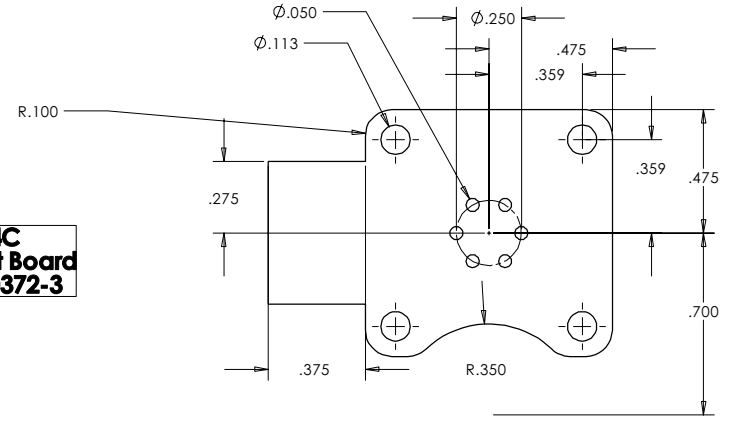
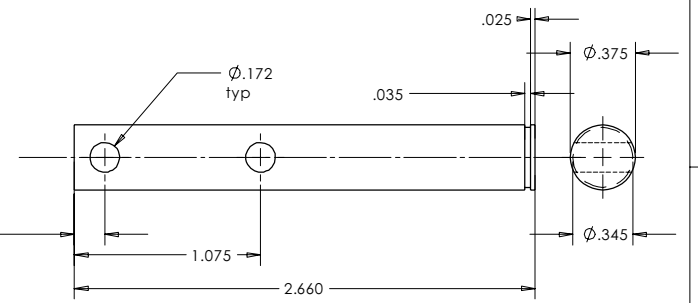
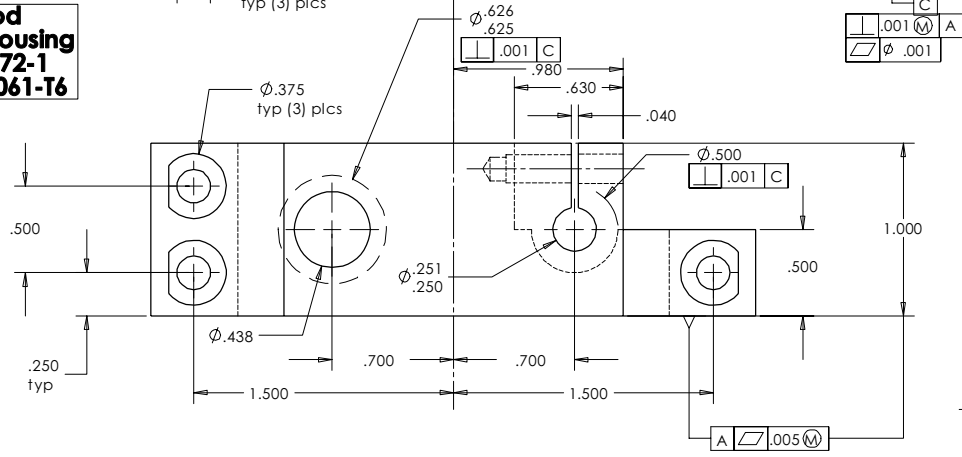
REV.	DATE	DCN #	DRAWING TREE #



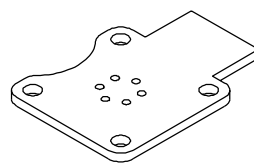
**Tripod
Sensor Housing
D020372-1
matl: 6061-T6**



**Tripod
Sensor Post
D020372-2
use Thompson Rod
(hardened and ground)**



**L4C
Circuit Board
D020372-3**



HEPI Tripod Sensor Housing, Sensor Post, and Circuit Board

UNLESS OTHERWISE SPECIFIED:	DATE	NAME	CALIFORNIA INSTITUTE OF TECHNOLOGY MASSACHUSETTS INSTITUTE OF TECHNOLOGY	
DIMENSIONS ARE IN INCHES	DRAWN	4/02		Hardham
TOLERANCES:	REDRAWN	6/22/02		Hammond
.XX ± 0.020"	CHECKED	6/24/02		Kern
.XXX ± 0.005"	NEXT ASSY		HEPI	
ANGULAR ± 30°	PART NAME		HEPI	
MATERIAL	COMMENTS:		SIZE DWG. NO.	
304 L			C	
FINISH			D020372-03-E	
			SCALE:	
			SHEET 37 OF 37	