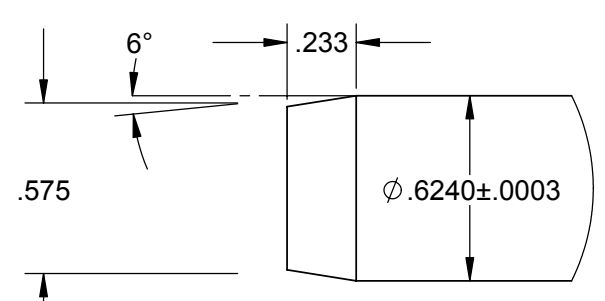
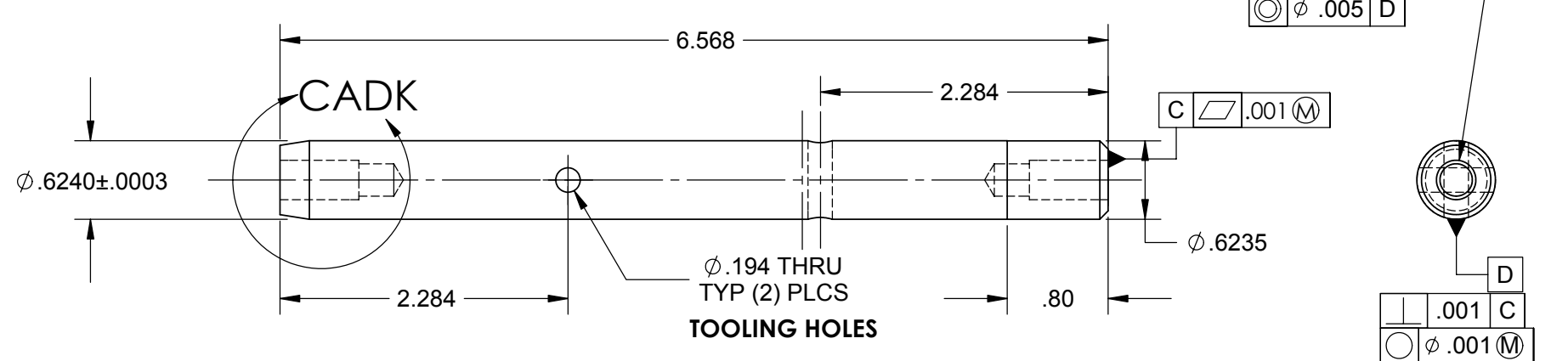
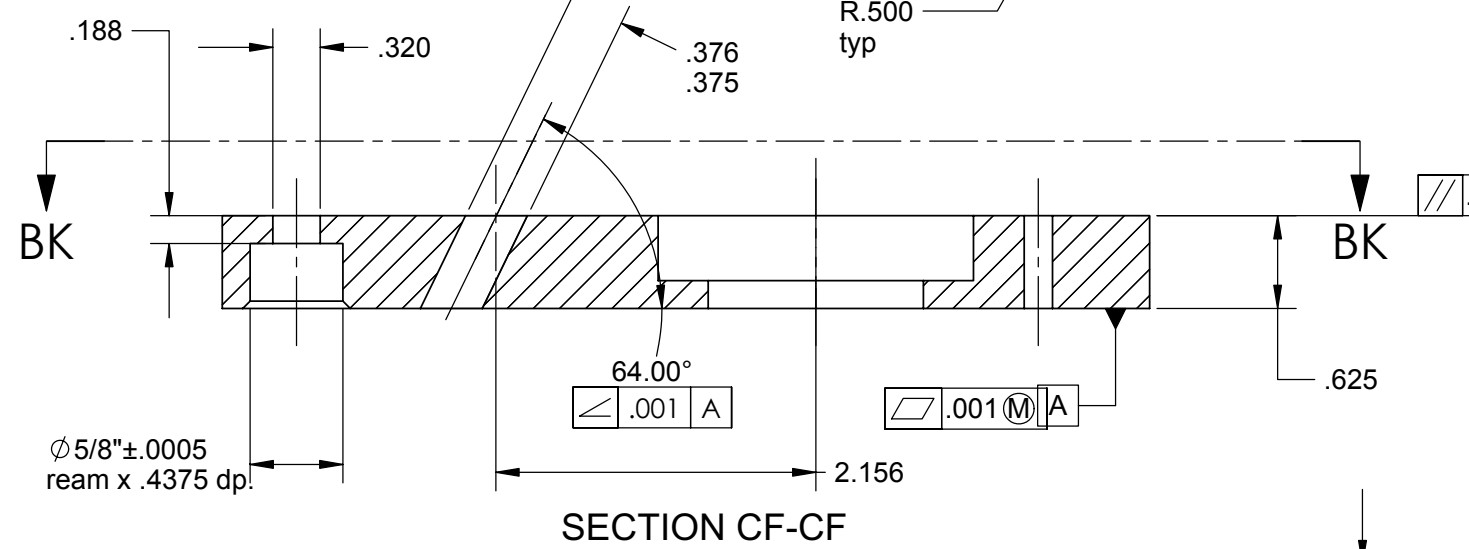
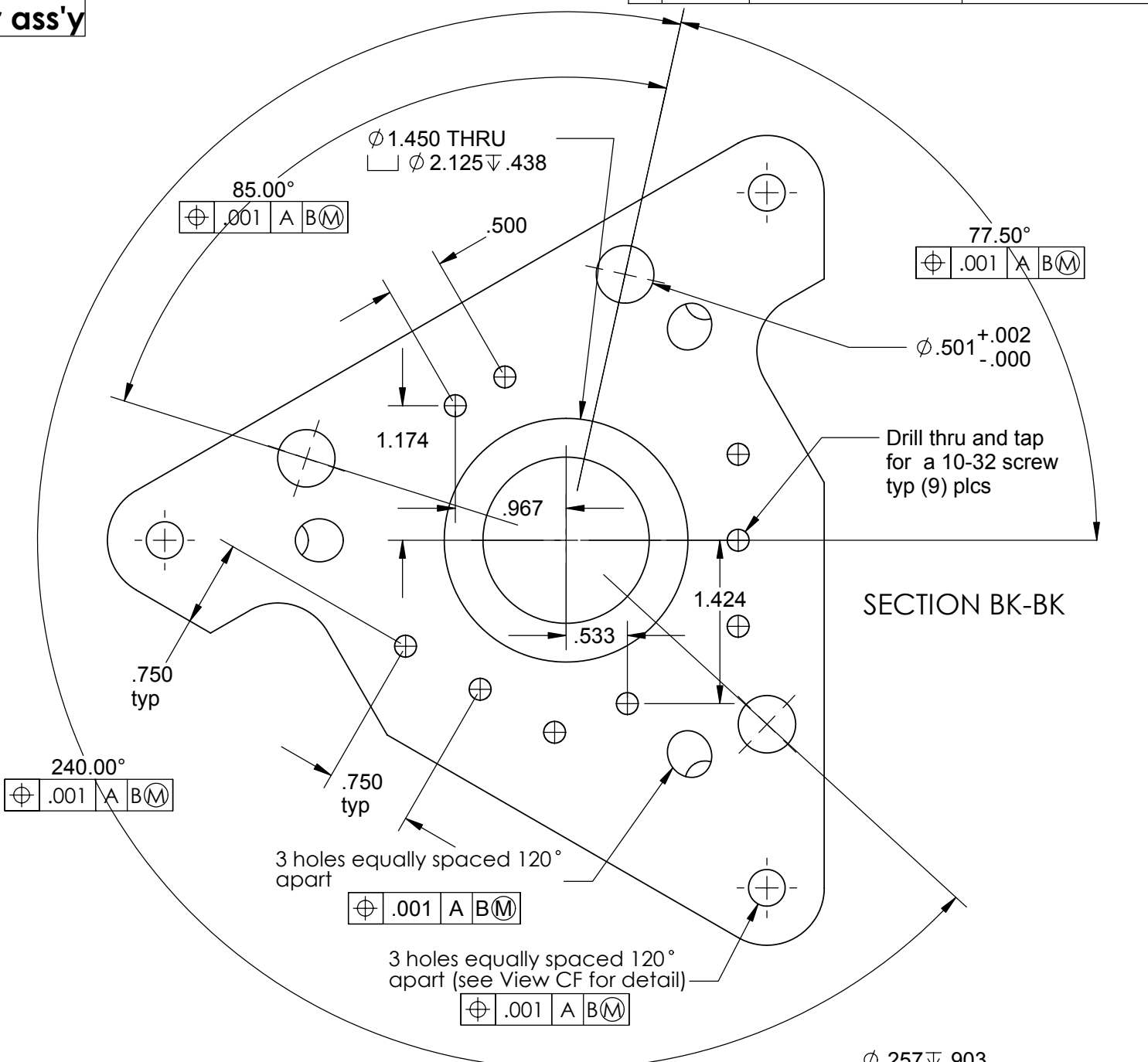
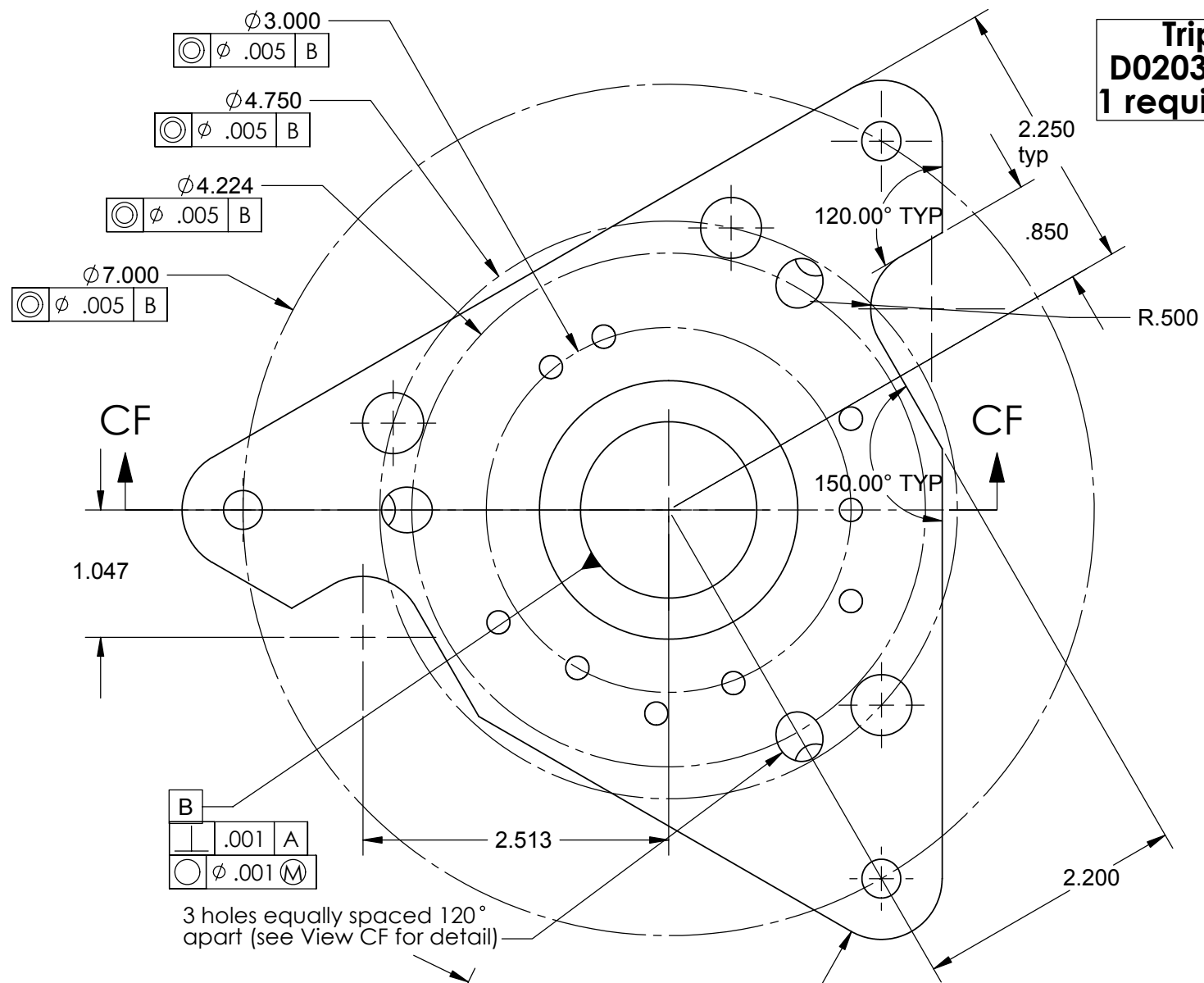


REV.	DATE	DCN #	DRAWING TREE #
A	Fall'02		
B	6/11/03	E030373-00-E	

Tripod Base
D020371-B-E Part 1
1 required per ass'y



Tripod Vertical Post
D020371-B-E Part 2
3 required per ass'y

UNLESS OTHERWISE SPECIFIED:		DATE	NAME	CALIFORNIA INSTITUTE OF TECHNOLOGY MASSACHUSETTS INSTITUTE OF TECHNOLOGY	
DIMENSIONS ARE IN INCHES		DRAWN	4/02		Hardham
TOLERANCES: .XX ± 0.010"		REDRAWN	Fall' 02		Hammond
.XXX ± 0.005"		REDRAWN	6/11/03		Spjeld
ANGULAR ± 30°		CHECKED	2/9/03		Kern
MATERIAL 304 L		COMMENTS:		SYSTEM LASTI SUB-SYSTEM HEPI NEXT ASSY PART NAME HEPI Tripod Base and Vertical Post SIZE DWG. NO. D020371 REV A	
FINISH 120 RMS unless noted		SCALE: 1:1 unless noted		Sht. No. 39 / 43	