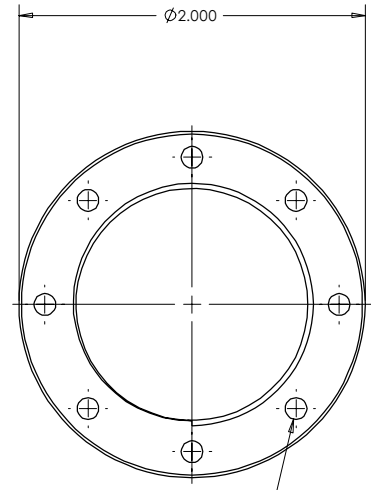
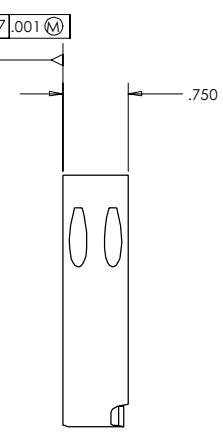
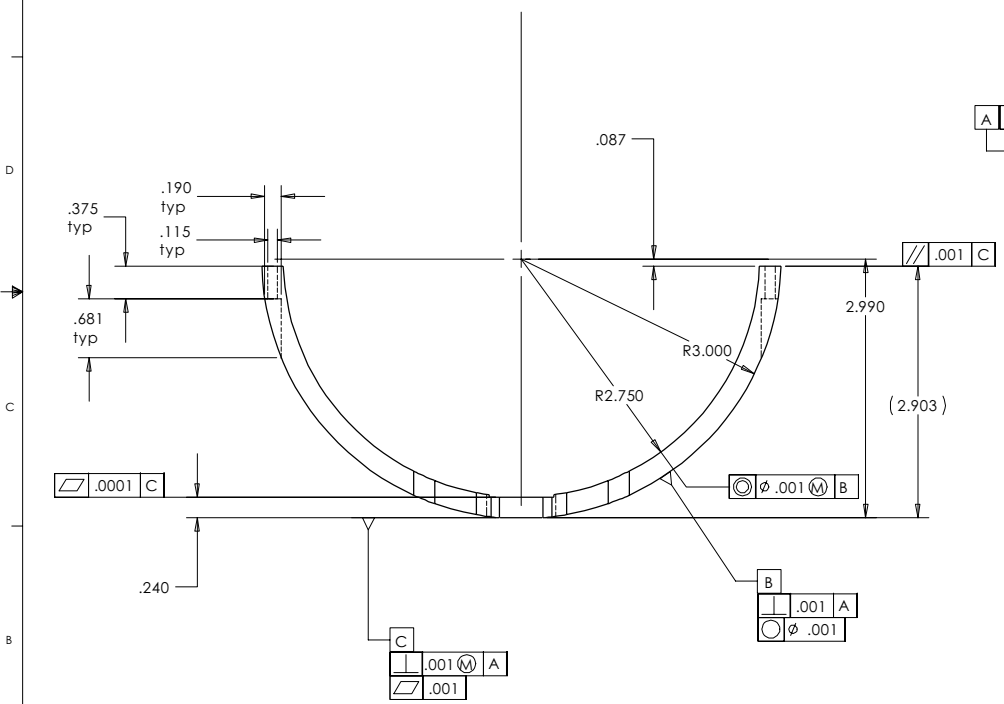
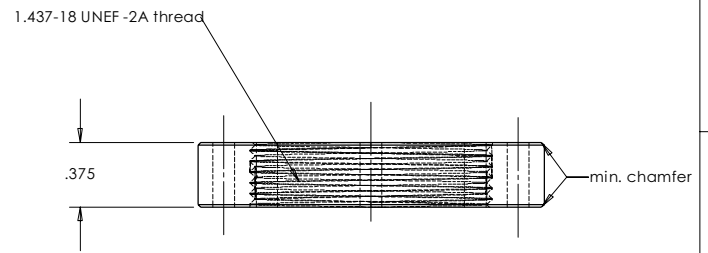
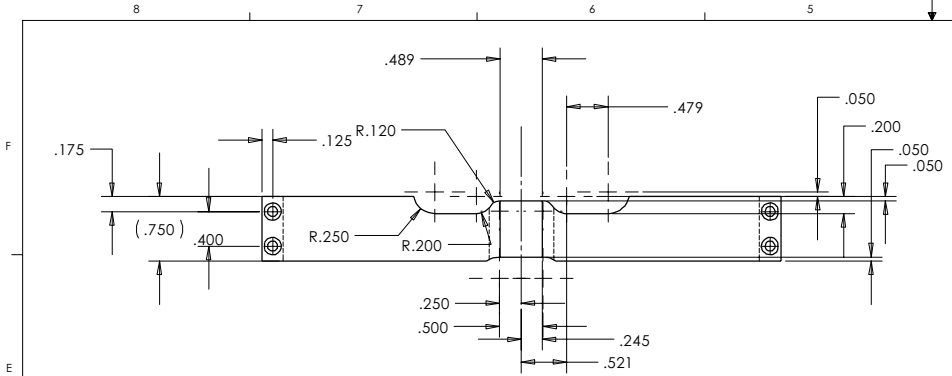


REV.	DATE	DCN #	DRAWING TREE #



**Sensor flag**  
**D020370-1**  
**mat'l : 6061-T6**

**L4C Nut**  
**D020370-2**  
**mat'l : 6061-T6**

HEPI Displacement Sensor Flag and L4C Nut

UNLESS OTHERWISE SPECIFIED:		DATE	NAME	<b>CALIFORNIA INSTITUTE OF TECHNOLOGY</b> <b>MASSACHUSETTS INSTITUTE OF TECHNOLOGY</b>
DIMENSIONS ARE IN INCHES	DRAWN	4/02	Hardham	
TOLERANCES:	REDRAWN	6/22/02	Hammond	SYSTEM
.XX ± 0.020"	CHECKED	6/24/02	Kern	SUB-SYSTEM
.XXX ± 0.005"				HEPI
ANGULAR ± 30'				NEXT ASSY
MATERIAL	COMMENTS:			PART NAME
FINISH				SIZE DWG. NO.
				<b>C</b>
				D020370-03-E
				REV
				SCALE:
				SHEET 35 OF 37