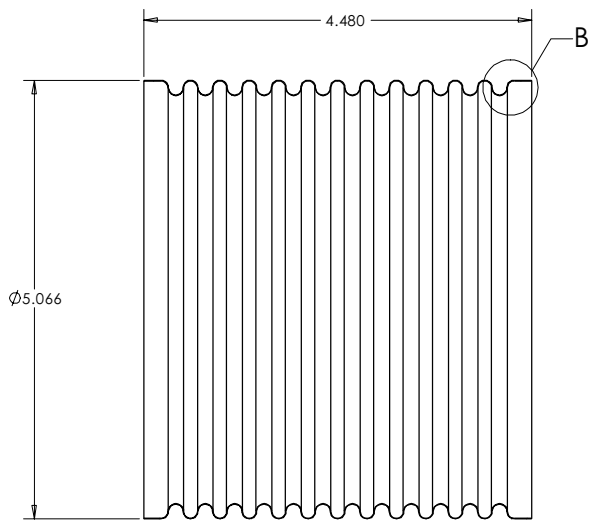
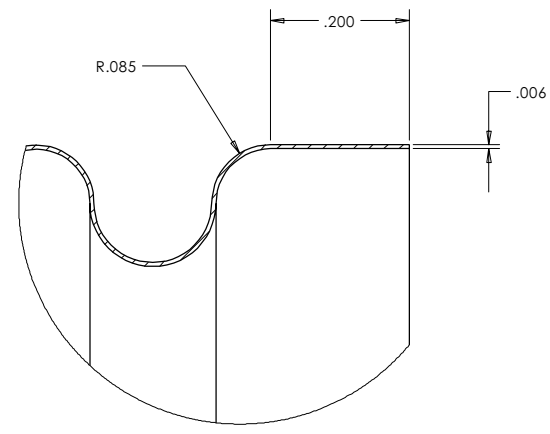


NOTES: (UNLESS OTHERWISE SPECIFIED)

| REV. | DATE | DCN # | DRAWING TREE # |
|------|------|-------|----------------|
| | | | |
| | | | |
| | | | |



SECTION A-A



DETAIL B
SCALE 8 : 1

| ITEM NO. | REQ. QUANTITY | SPARE | TOT. QUANTITY | PART NUMBER | DESCRIPTION | SUPPLIER | |
|-----------------------------|---------------|-------|---------------|--|-------------|---|---------|
| PARTS LIST | | | | | | | |
| UNLESS OTHERWISE SPECIFIED: | | | | DATE | NAME | CALIFORNIA INSTITUTE OF TECHNOLOGY MASSACHUSETTS INSTITUTE OF TECHNOLOGY | |
| DIMENSIONS ARE IN INCHES | | | | DRAWN | 4/02 | | Hogdrom |
| TOLERANCES: | | | | REDRAWN | 5/23/02 | | K. em |
| .XX ± 0.02" | | | | CHECKED | 5/27/02 | | Kern |
| .XXX ± 0.001" | | | | ANGULAR ± 30' | | PART NAME | |
| MATERIAL: 304 SS | | | | COMMENTS: 2 Required for each actuator | | SCALE: C | |
| FINISH: | | | | SIZE DWG. NO. D020294-03-E | | REV | |
| FILE NAME/LOCATION: | | | | | | SHEET 12 OF 37 | |