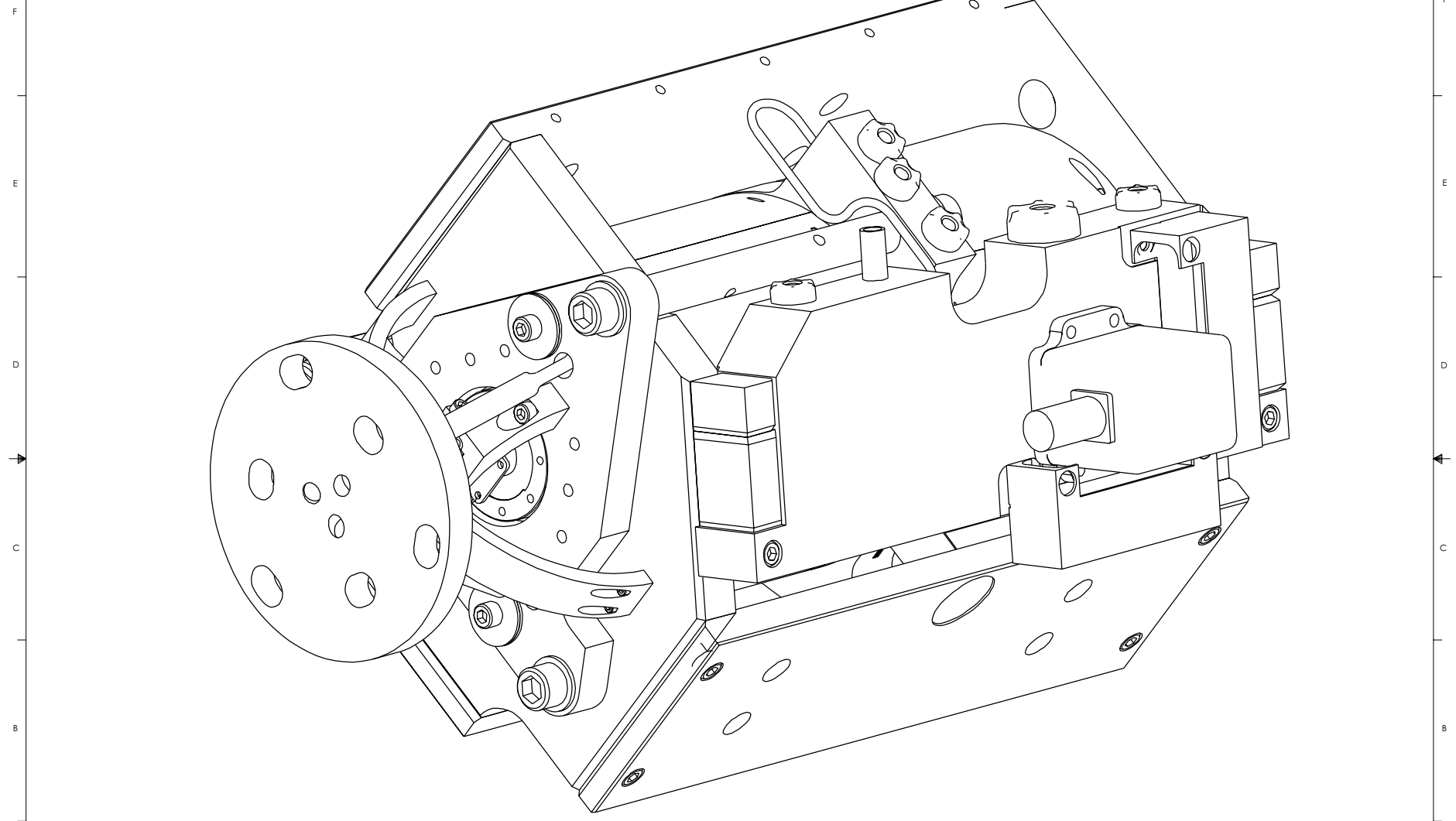



8 7 6 5 4 3 2 1

REV.	DATE	DCN #	DRAWING TREE #



LIGO HEPI

Quite Hydraulic Actuator

UNLESS OTHERWISE SPECIFIED:		DATE	NAME	 CALIFORNIA INSTITUTE OF TECHNOLOGY MASSACHUSETTS INSTITUTE OF TECHNOLOGY		
DIMENSIONS ARE IN INCHES		DRAWN	4/02		Hardham	
TOLERANCES:		REDRAWN	6/7/02	Karr	SYSTEM	LASTI
.XX ± 0.02"		CHECKED	6/19/02	Karr	SUB-SYSTEM	HEPI
.XXX ± 0.001"					NEXT ASBY	
ANGULAR ± 30'					PART NAME	HYDRUALIC ACTUATOR
MATERIAL 304 SS		COMMENTS:			SIZE DWG. NO.	REV
FINISH					C	D020284-03-E
					SCALE:	SHEET 1 OF 3

FILE NAME/LOCATION: