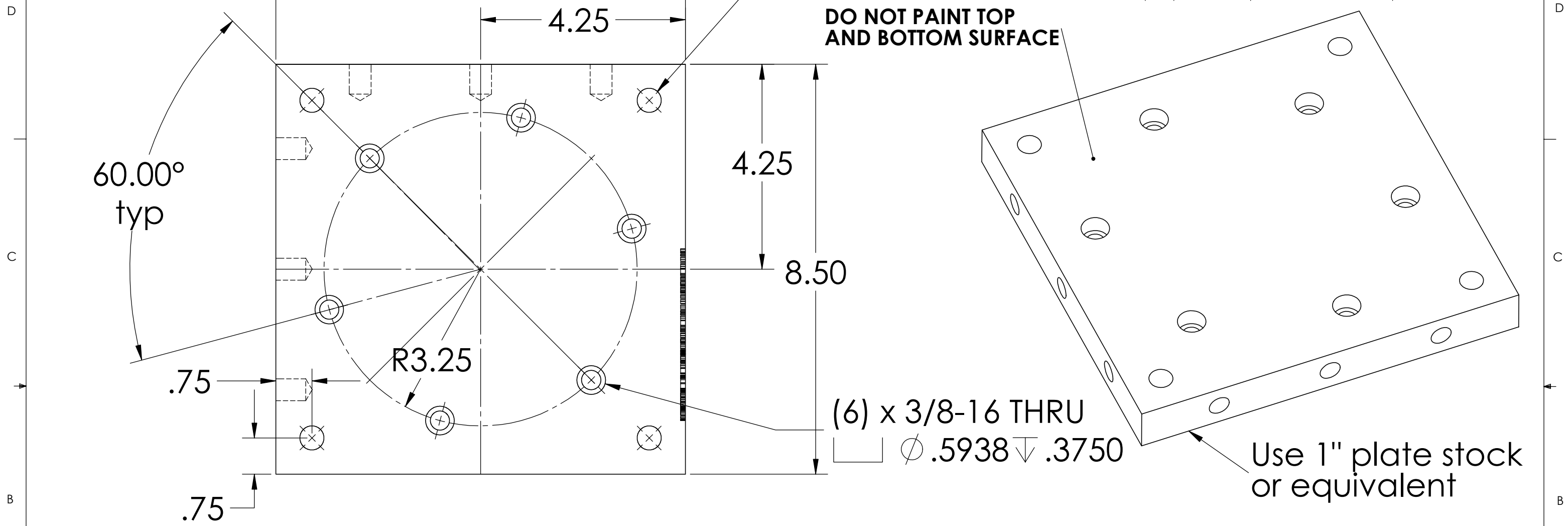


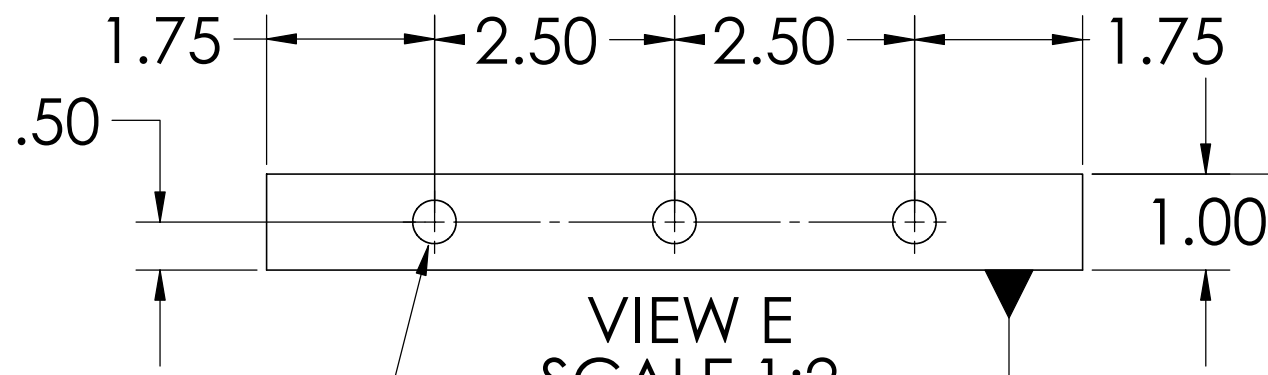
RELEASE FOR PRODUCTION - DCN No. E030521, 10.30.03

REV.	DATE	DCN #	DRAWING TREE #
B	10/15/03	E030521-00-E	



(6) x 3/8-16 THRU
 \square ϕ .5938 ∇ .3750

Use 1" plate stock or equivalent



VIEW E
 SCALE 1:2

1/2-20 ∇ 0.620
 typ (6) plcs

\parallel .005 A

\square .005 A

- NOTES: UNLESS OTHERWISE SPECIFIED
- REMOVE ALL BURRS AND BREAK SHARP EDGES TO A MAXIMUM OF .015
 - PART NUMBER (DRAWING NO., DASH NO., REVISION NO.) TO BE CLEARLY MARKED ON THE PART ITSELF
 - PAINT:
 ALL VISIBLE SURFACES
 MEDIUM BLUE SHERWIN WILLIAMS (POLANE (R) T-PLUS POLYURETHANE ENAMEL) #SW-F63TX-L-2822-5864
 PRIME WITH SHERWIN WILLIAMS INDUSTRIAL WASH PRIMER P60G2
 - "OXI SOLV RUST INHIBITOR" TO BE APPLIED PER MFG. INSTRUCTIONS TO ALL UNPAINTED SURFACES.
 BOTH TAPPED AND THRU HOLES WILL BE PLUGGED DURING APPLICATION.

UNLESS OTHERWISE SPECIFIED: DIMENSIONS ARE IN INCHES		NAME	DATE	CALIFORNIA INSTITUTE OF TECHNOLOGY MASSACHUSETTS INSTITUTE OF TECHNOLOGY
TOLERANCES: .XX±: .02 .XXX±: .005 ANGULAR: ± 1 DEG		DRAWN	5/29/02	
MATERIAL 1018 CRS		OSPJELD	10/20/03	SYSTEM
FINISH RMS 128		CHECKED		SUB-SYSTEM
		COMMENTS:		NEXT ASSY PRE-ISOLATOR ASSEMBLY
				PART NAME CROSSBEAM ATTACH. PLATE
SIZE B	DWG. NO. D020008-B	REV B		
SCALE: 1:1				SHEET 1 OF 1