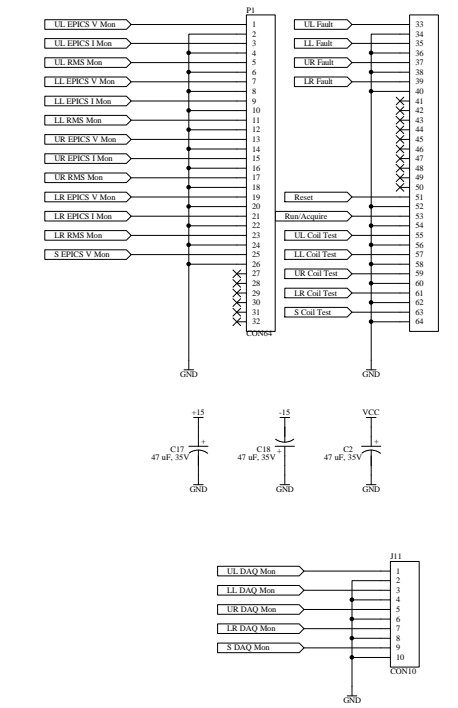
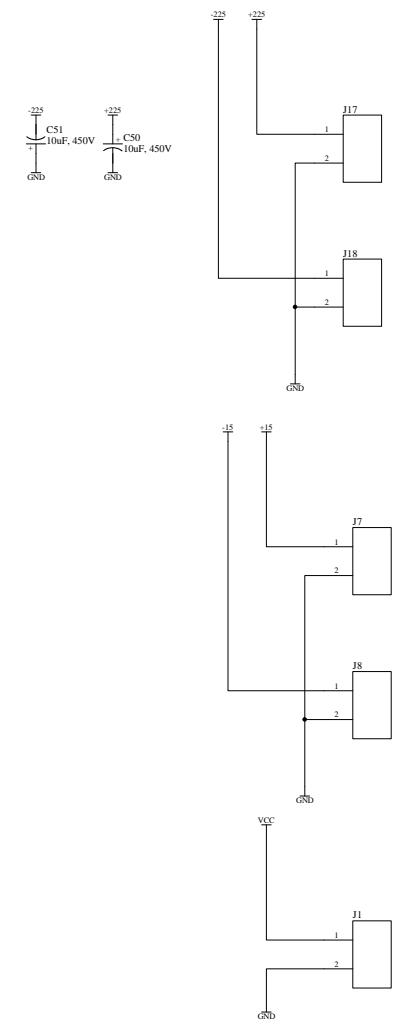
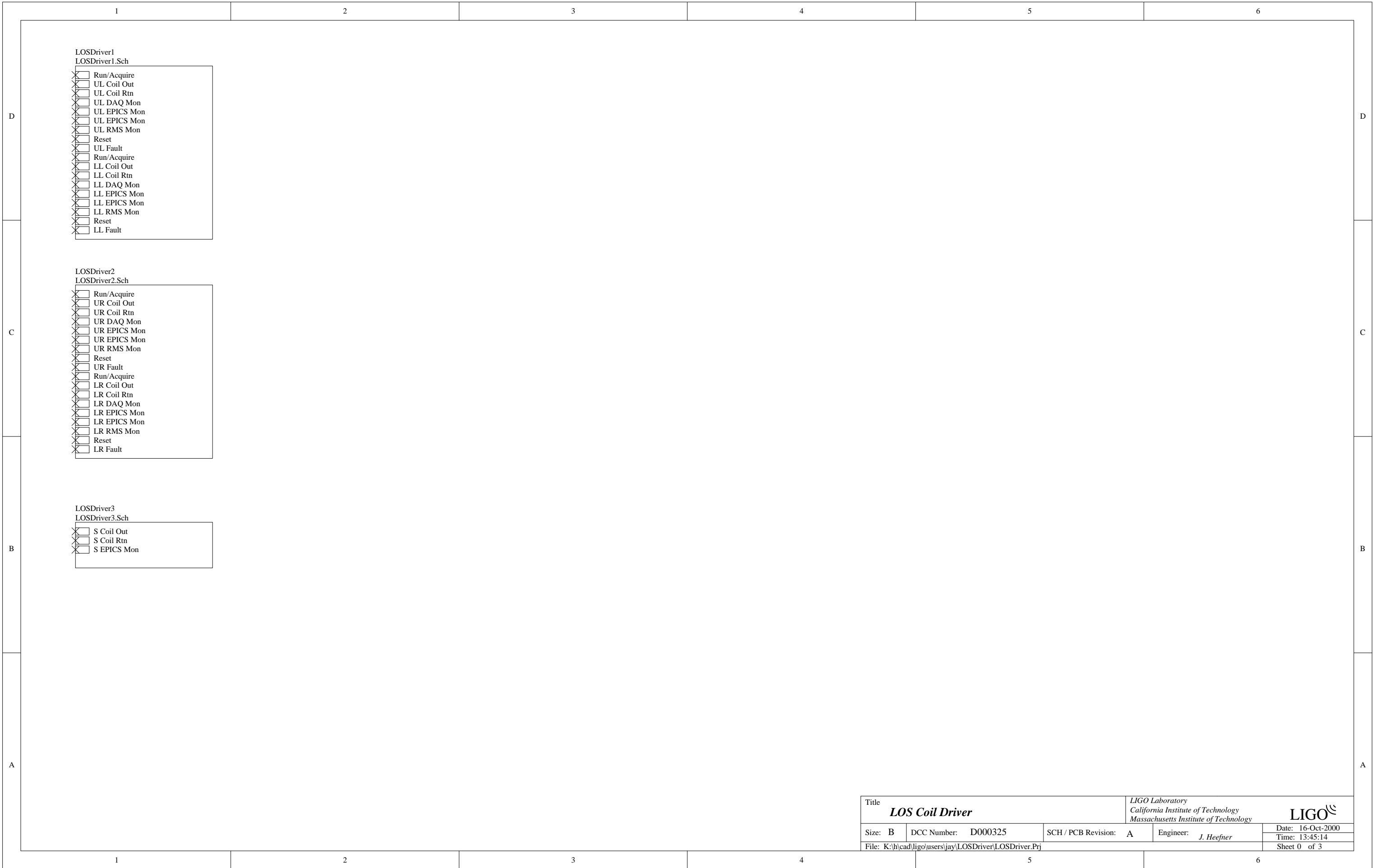


DB15 CONNECTOR MOUNTED ON FP OF MODULE
CONNECTED TO IDC 16 CONNECTOR MOUNTED ON BOARD
VIA MASS TERMINATION CABLE

Pin designations as follows:

Name	IDC Pin #	15 D pin #
UL Out	1	1
UL Rim	2	9
LL Out	3	2
LL Rim	4	10
UR Out	5	3
UR Rim	6	11
LR Out	7	4
LR Rim	8	12
S Out	9	5
S Rim	10	13
N/C	11	6
N/C	12	14





- LOSDriver1
 LOSDriver1.Sch
- Run/Acquire
 - UL Coil Out
 - UL Coil Rtn
 - UL DAQ Mon
 - UL EPICS Mon
 - UL EPICS Mon
 - UL RMS Mon
 - Reset
 - UL Fault
 - Run/Acquire
 - LL Coil Out
 - LL Coil Rtn
 - LL DAQ Mon
 - LL EPICS Mon
 - LL EPICS Mon
 - LL RMS Mon
 - Reset
 - LL Fault

- LOSDriver2
 LOSDriver2.Sch
- Run/Acquire
 - UR Coil Out
 - UR Coil Rtn
 - UR DAQ Mon
 - UR EPICS Mon
 - UR EPICS Mon
 - UR RMS Mon
 - Reset
 - UR Fault
 - Run/Acquire
 - LR Coil Out
 - LR Coil Rtn
 - LR DAQ Mon
 - LR EPICS Mon
 - LR EPICS Mon
 - LR RMS Mon
 - Reset
 - LR Fault

- LOSDriver3
 LOSDriver3.Sch
- S Coil Out
 - S Coil Rtn
 - S EPICS Mon

Title		LOS Coil Driver		LIGO Laboratory California Institute of Technology Massachusetts Institute of Technology		LIGO	
Size: B	DCC Number: D000325	SCH / PCB Revision: A	Engineer: J. Heefner	Date: 16-Oct-2000	Time: 13:45:14		
File: K:\hcad\ligo\users\jay\LOSDriver\LOSDriver.Prj				Sheet 0 of 3			