
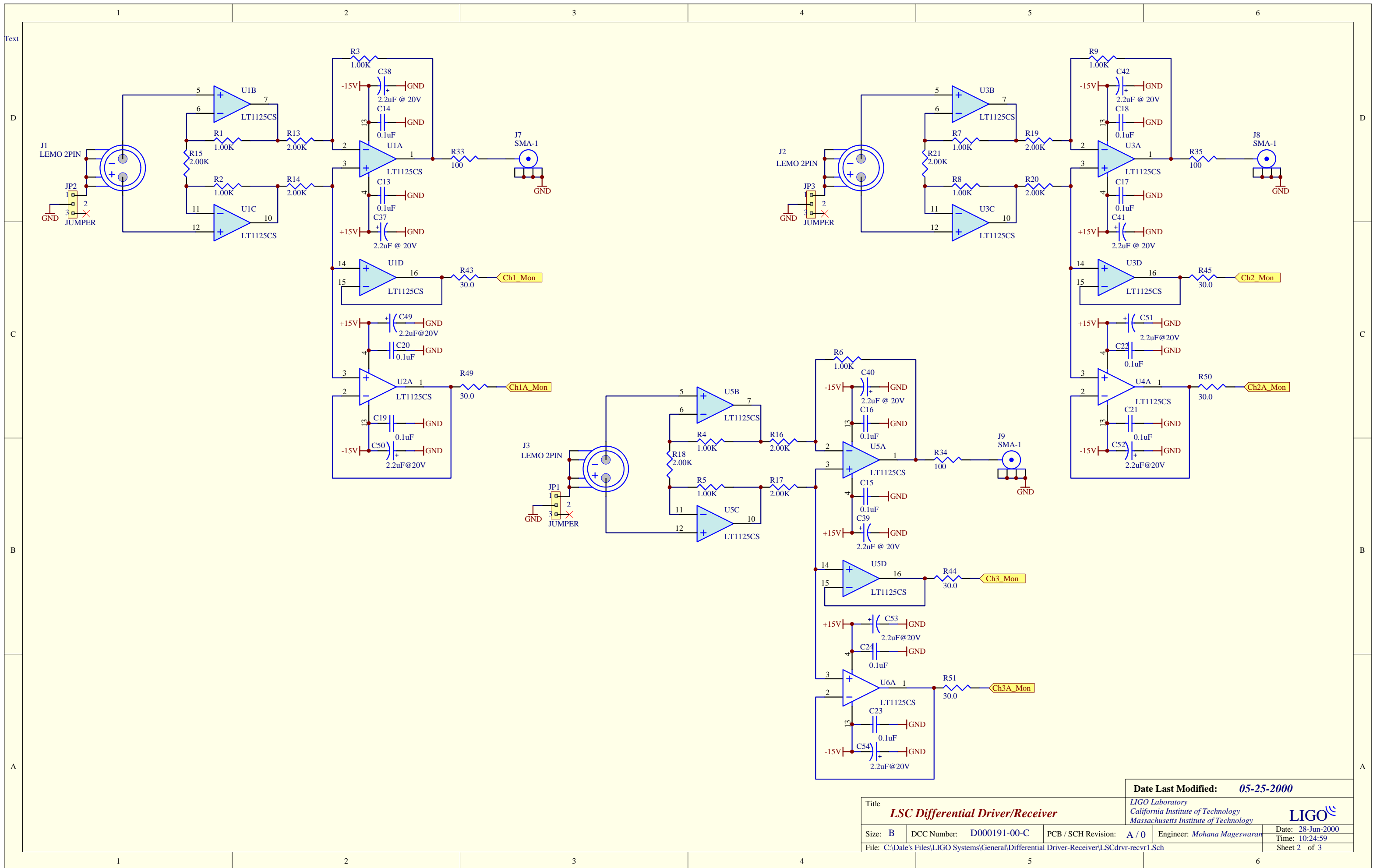


Title LSC Differential Driver/Receiver			Date Last Modified: 05-25-2000	
Size: B			DCC Number: D000191-00-C	
PCB / SCH Revision: A/0		Engineer: Mohana Mageswaran		Date: 28-Jun-2000
File: C:\Dale's Files\LIGO Systems\General\Differential Driver-Receiver\LSCdrv-recvr.prj			Time: 10:24:47	
				Sheet 1 of 3

LIGO Laboratory
California Institute of Technology
Massachusetts Institute of Technology





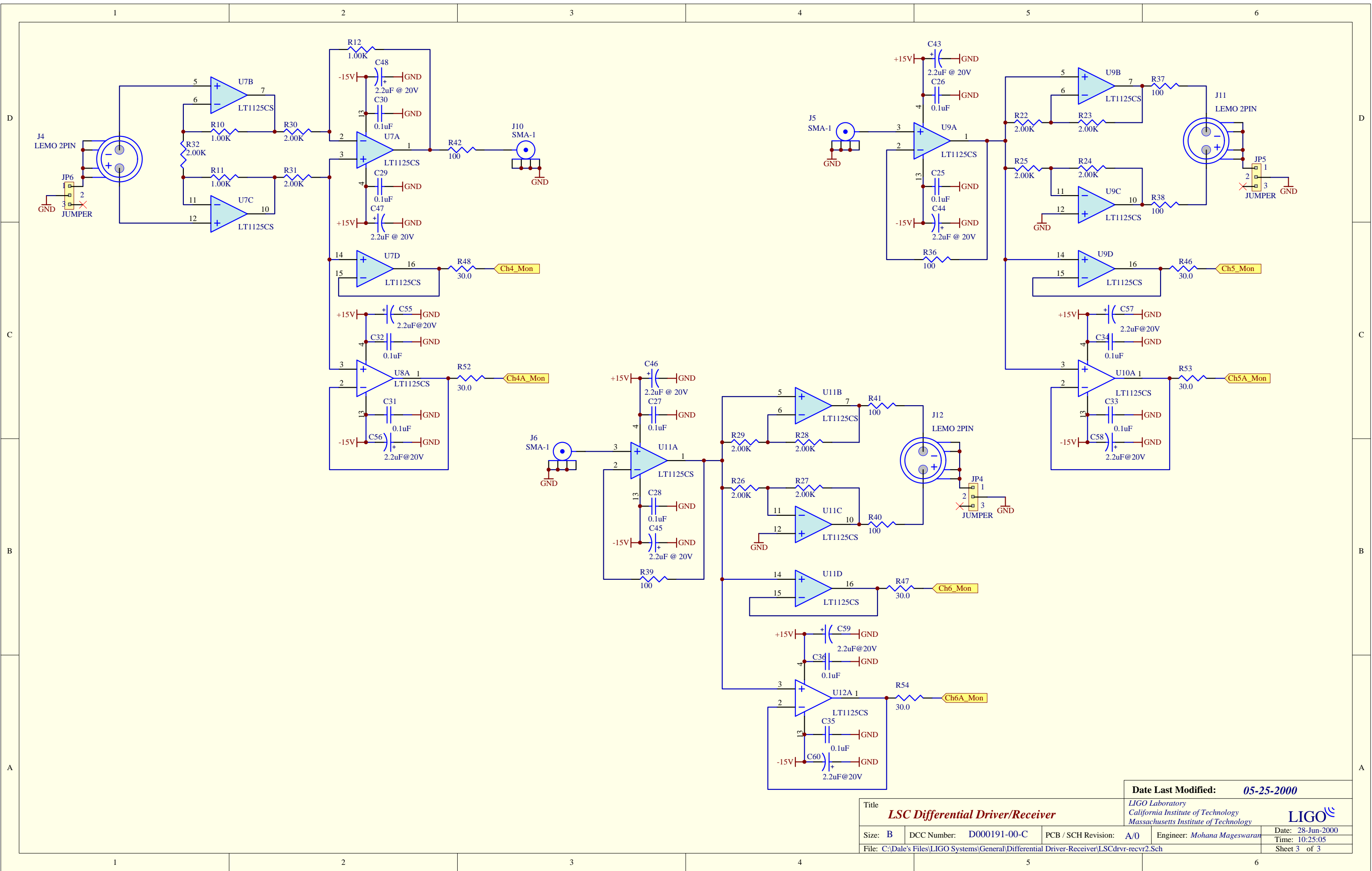
Date Last Modified: 05-25-2000

Title
LSC Differential Driver/Receiver

LIGO Laboratory
California Institute of Technology
Massachusetts Institute of Technology



Size: B	DCC Number: D000191-00-C	PCB / SCH Revision: A / 0	Engineer: Mohana Mageswaran	Date: 28-Jun-2000
File: C:\Dale's Files\LIGO Systems\General\Differential Driver-Receiver\LSCdrv-recvr1.Sch				Time: 10:24:59
				Sheet 2 of 3



Date Last Modified: 05-25-2000

Title		LIGO Laboratory California Institute of Technology Massachusetts Institute of Technology		LIGO	
Size: B	DCC Number: D000191-00-C	PCB / SCH Revision: A/0	Engineer: Mohana Mageswaran	Date: 28-Jun-2000	Time: 10:25:05
File: C:\Dale's Files\LIGO Systems\General\Differential Driver-Receiver\LSCdrv-recvr2.Sch				Sheet 3 of 3	