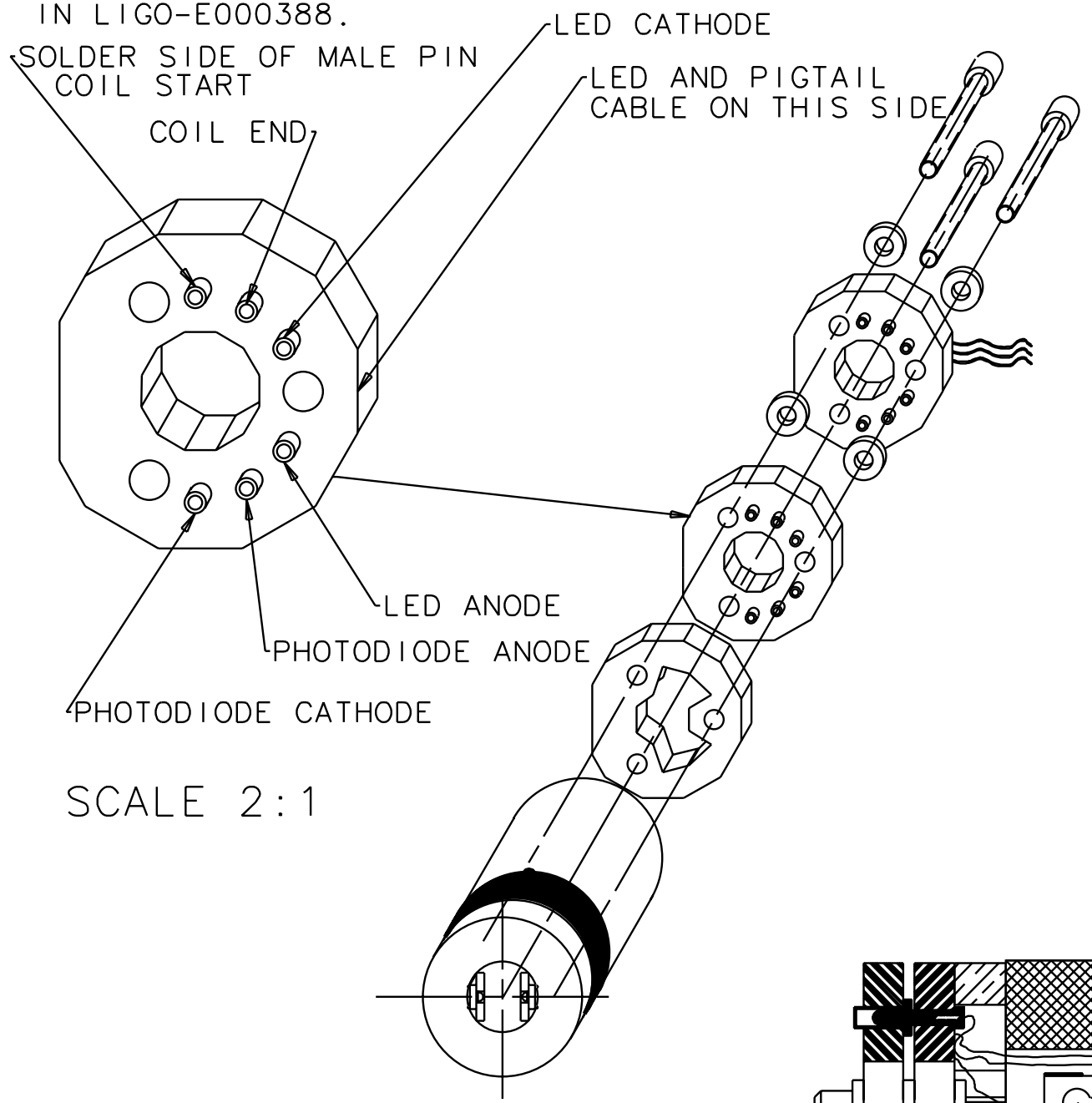
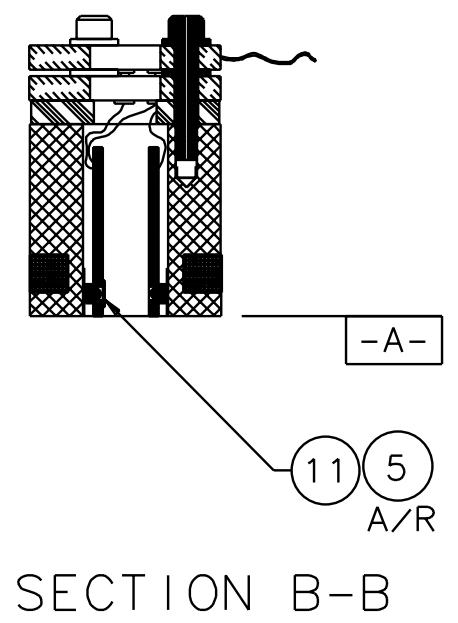


REV	DATE	DRAWN BY	CHECKED	DCC	DCN/DESCRIPTION OF CHANGE

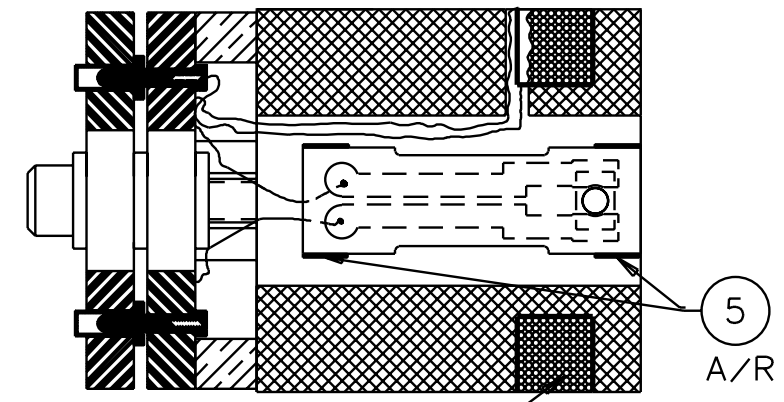
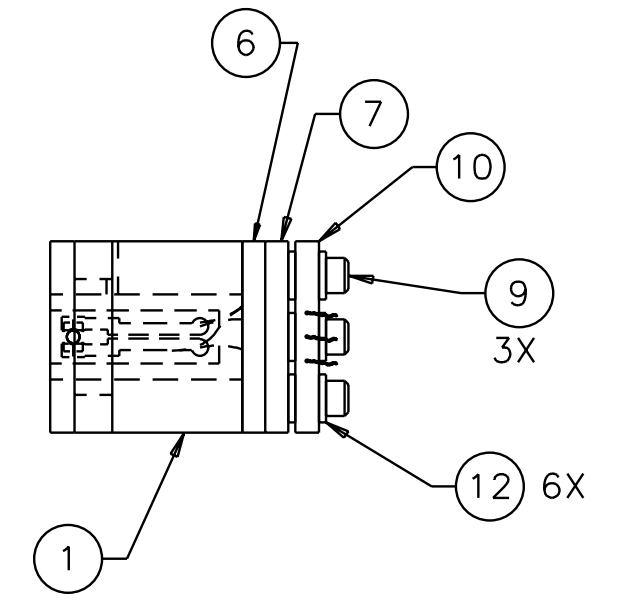
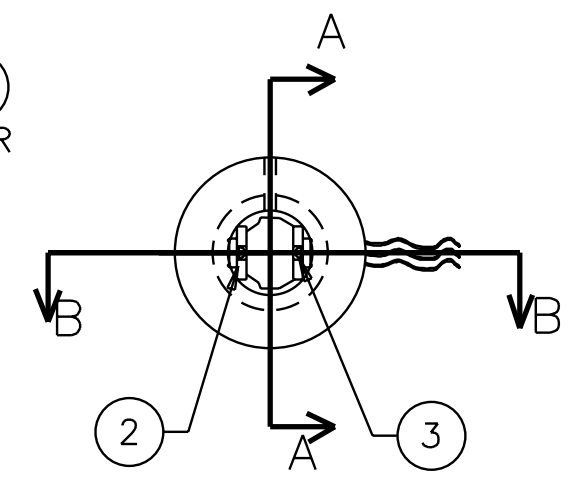
NOTES, UNLESS OTHERWISE SPECIFIED:  
 1. ASSEMBLY SPECIFICATIONS DETAILED  
 IN LIGO-E000388.



SCALE 2:1



SECTION B-B



SECTION A-A  
SCALE 2:1

QTY REQD	PART OR IDENTIFYING NO	NOMENCLATURE OR DESCRIPTION	MATERIAL SPECIFICATION	ITEM NO
6	95630A234	#4 FLAT WASHER, MCMASTER CARR P/N	TEFLON	12
1	D000196	PHOTODIODE OPTICAL FILTER		11
1	D990676	SENSOR/ACTUATOR PIGTAIL, SHORT		10
3	C-410	#4-40 X 5/8 SHCS, UC COMPONENTS P/N	VENTED SST	9
				8
1	D970073	SENSOR/ACTUATOR PIN PLATE		7
1	D970618	SENSOR/ACTUATOR SPACER		6
A/R		AREMCO CERAMASEAL 571		5
A/R	32 HML	KAPTON WIRE, MWS INDUSTRIES P/N	COPPER WIRE, 32 AWG	4
1	D000243	CIRCUIT BD ASSY, LED, USING D000194		3
1	D000244	CIRCUIT BD ASSY, PD, USING D000195		2
1	D000066	SENSOR/ACTUATOR HEAD, SHORT, SMD, MACOR		1

UNLESS OTHERWISE SPECIFIED DIMENSIONS ARE IN IN (mm) TOLERANCES ARE: FRACTIONS DECIMALS		APPROVALS		DATE	CALIFORNIA INSTITUTE OF TECHNOLOGY MASSACHUSETTS INSTITUTE OF TECHNOLOGY	
N/A		DRAWN J. Hozel Romie		5/00	LIGO	
DO NOT SCALE DRAWING		CHECKED			SENSOR/ACTUATOR ASSEMBLY, SHORT, SMD	
MATERIAL	N/A				SIZE	B
FINISH	N/A				DWG NO.	D000180
SCALE	NONE	FILENAME		/home/dcc/docs/D000180.pdf	REV	02
					SHEET	1 OF 1