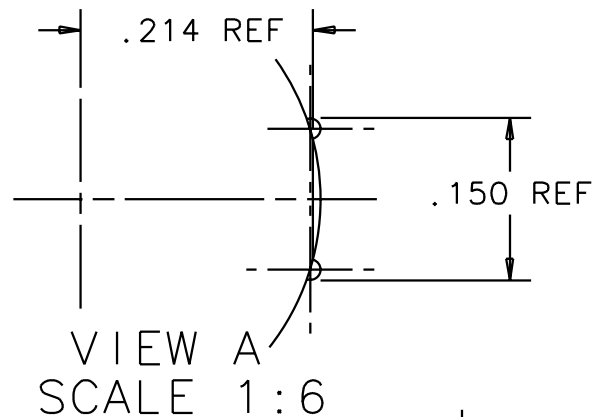
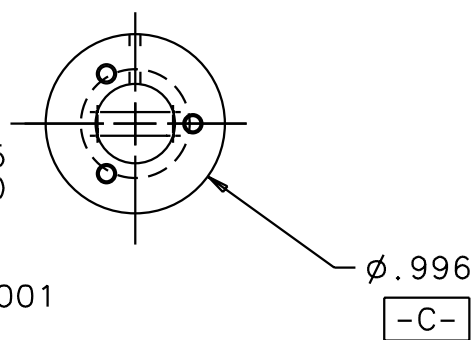
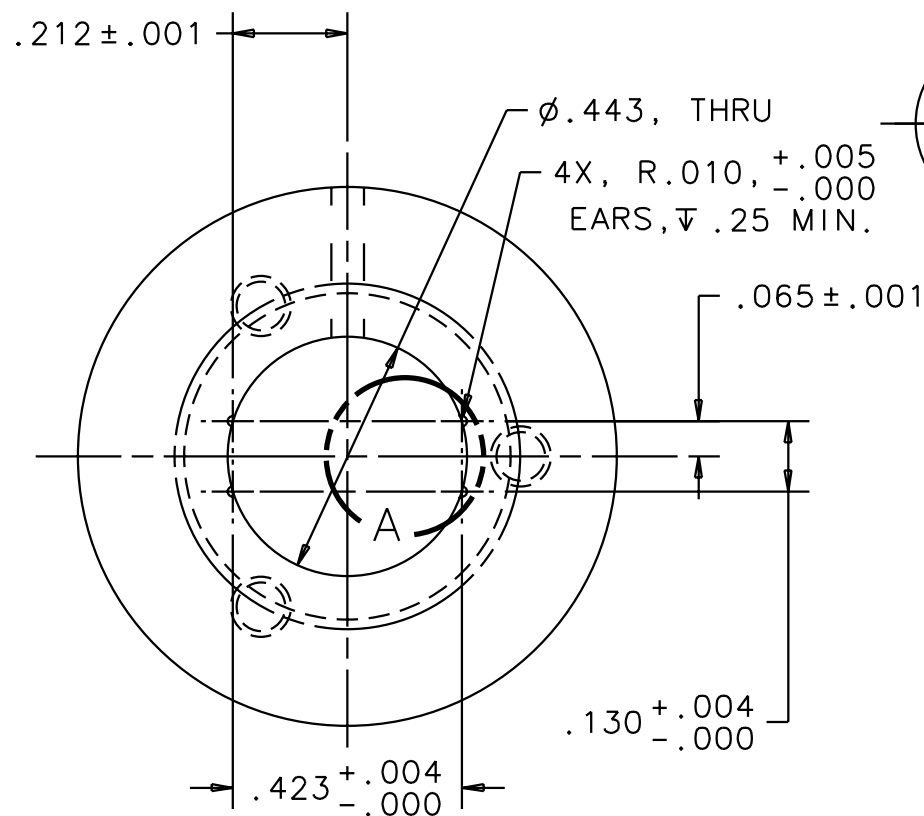
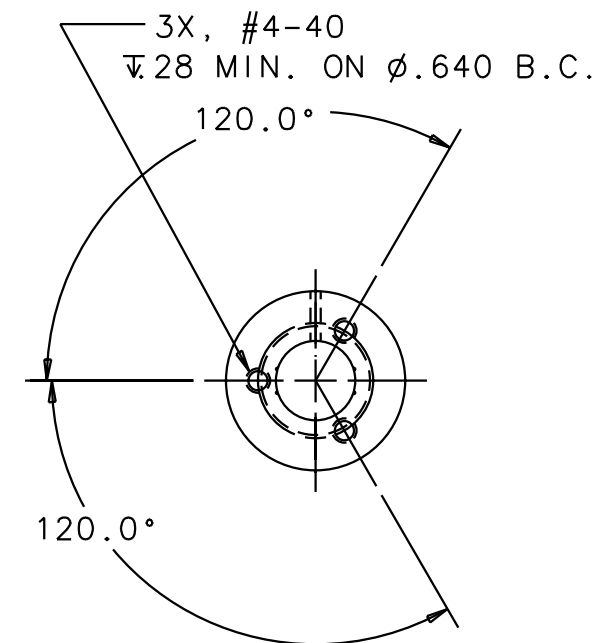
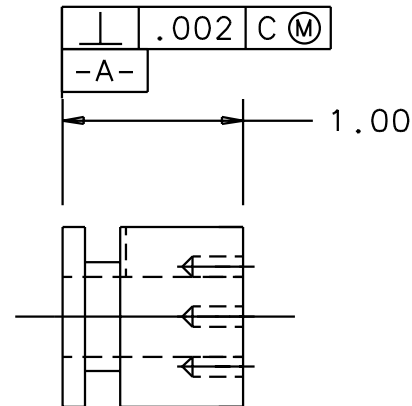
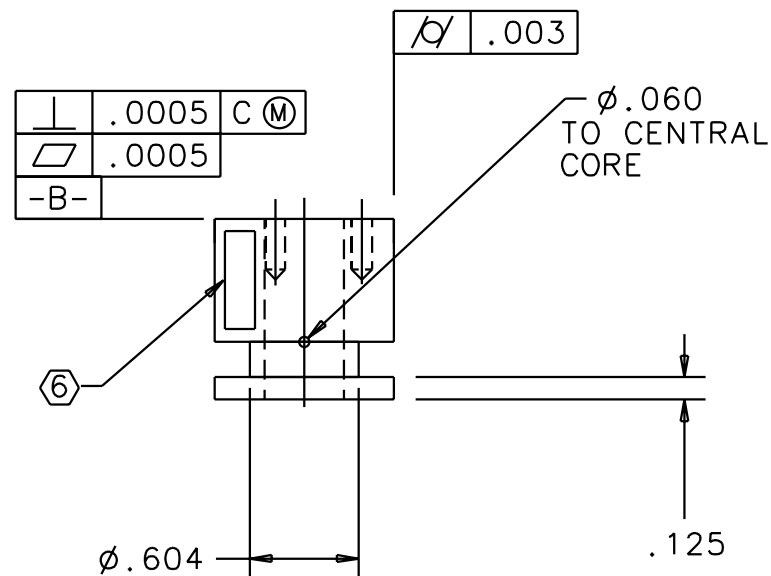


NOTES: (UNLESS OTHERWISE SPECIFIED)

1. FILLETS: R .015 MAX
2. BREAK ALL SHARP EDGES  
.02/.01 X 45°
3. MATERIAL: MACOR
4. MASK THE #4-40 THREADED HOLES, ID AND EARS. MASK SURFACE DEFINED BY DATUM **-B-** BEFORE COATING.
5. COAT ENTIRE HEAD WITH A THIN LAYER OF CONDUCTIVE MATERIAL TO PROVIDE UNIFORM RESISTIVITY OF .25 TO 25 OHMS/SQUARE.
6. LASER MARK THE DRAWING PART NUMBER ON NOTED SURFACE OF PART FOLLOWED BY "S/N" THEN A THREE DIGIT SERIAL NUMBER. SERIAL NUMBERS TO START AT 001 FOR FIRST PART AND PROCEED IN A CONSECUTIVE MANNER TO A MAXIMUM OF 999, FOR EACH SUCCEEDING PART PRODUCED. USE 0.13 HIGH CHARACTERS.  
EXAMPLE: D000066-A S/N001

REV	DATE	DRAWN BY	CHECKED	DCC	DCN/DESCRIPTION
A	5/9/00	J. Romie			E000240/INITIAL RELEASE
B	5/26/00	J. Romie			E000264/ADD TOLERANCES



QTY REQD	PART OR IDENTIFYING NO	NOMENCLATURE OR DESCRIPTION	MATERIAL SPECIFICATION	ITEM NO
PARTS LIST				
UNLESS OTHERWISE SPECIFIED DIMENSIONS ARE IN INCHES TOLERANCES ARE: DECIMALS ANGLES		APPROVALS	DATE	CALIFORNIA INSTITUTE OF TECHNOLOGY MASSACHUSETTS INSTITUTE OF TECHNOLOGY
0.XX +/- 0.01 0.XXX +/- 0.005 ANGLES +/- 0.5°		DRAWN J. ROMIE	2/00	LIGO
MATERIAL MACOR		CHECKED		TITLE SENSOR/ACTUATOR HEAD, SHORT, SMD, MACOR
FINISH 16 MIN.				SIZE B
SCALE		FILENAME /home/dcc/docs/D000066.pdf		DWG NO. D000066
				REV B
				SHEET 1 OF 1