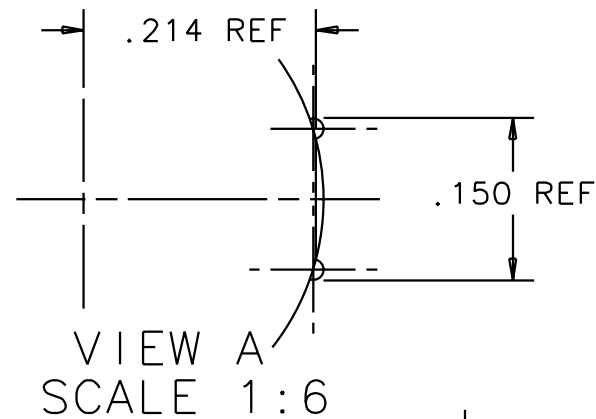
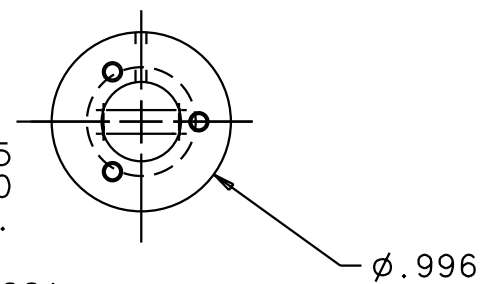
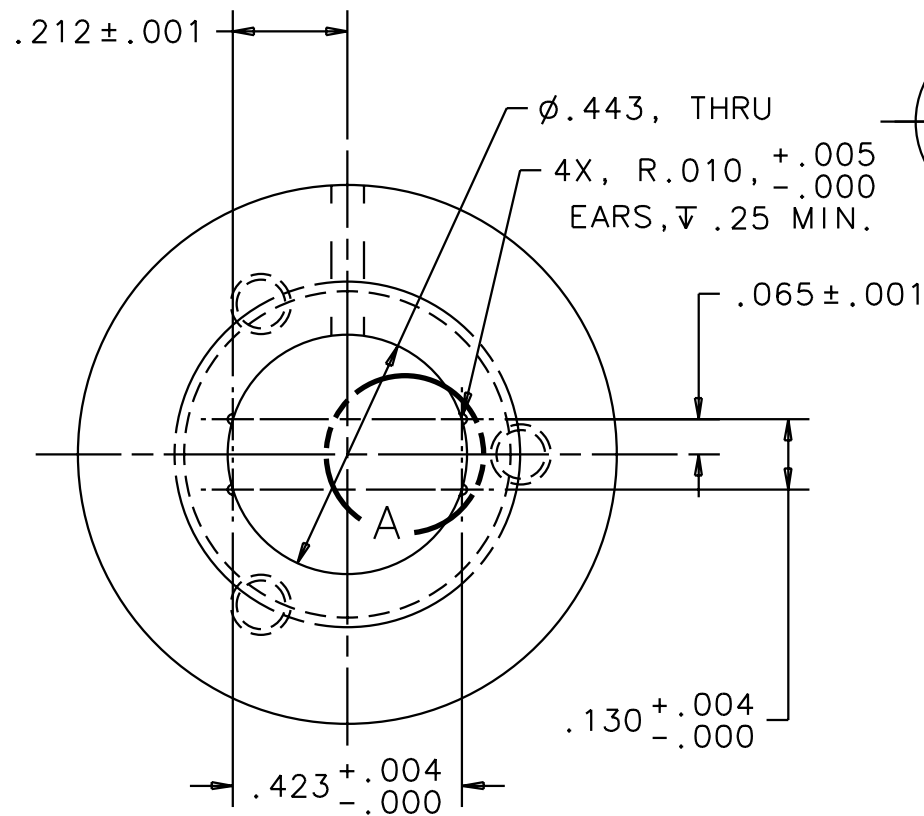
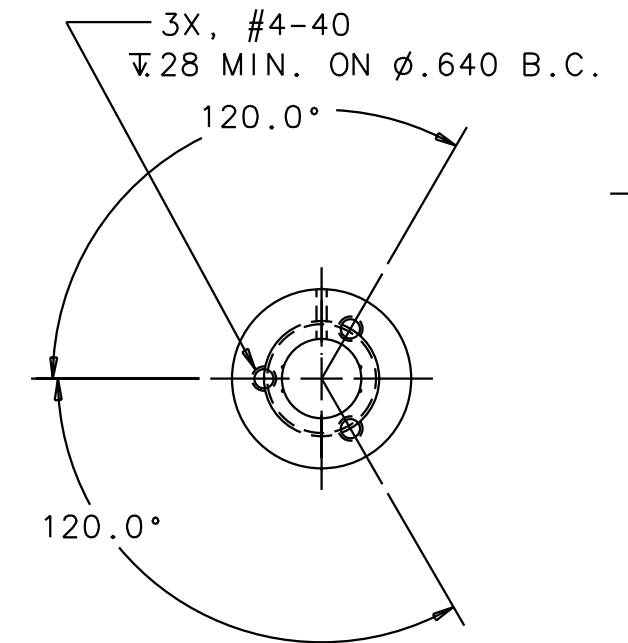
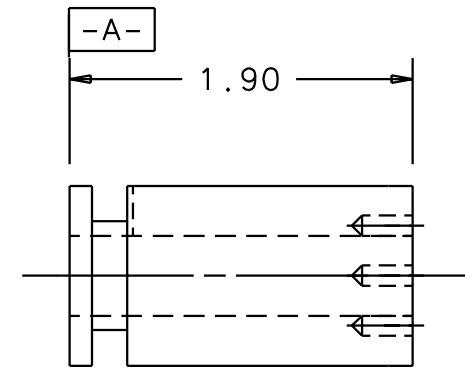
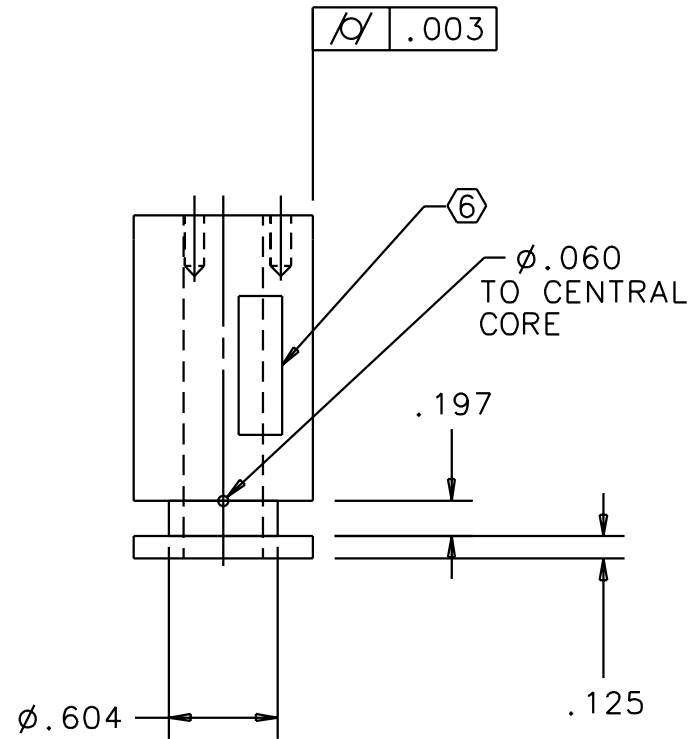


NOTES: (UNLESS OTHERWISE SPECIFIED)

1. FILLETS: R .015 MAX
2. BREAK ALL SHARP EDGES
.02/.01 X 45°
3. MATERIAL: MACOR
4. MASK THE #4-40 THREADED HOLES, ID AND EARS. MASK SURFACE DEFINED BY DATUM -B- BEFORE COATING.
5. COAT ENTIRE HEAD WITH A THIN LAYER OF CONDUCTIVE MATERIAL TO PROVIDE UNIFORM RESISTIVITY OF .25 TO 25 OHMS/SQUARE.
6. LASER MARK THE DRAWING PART NUMBER ON NOTED SURFACE OF PART FOLLOWED BY "S/N" THEN A THREE DIGIT SERIAL NUMBER. SERIAL NUMBERS TO START AT 001 FOR FIRST PART AND PROCEED IN A CONSECUTIVE MANNER TO A MAXIMUM OF 999, FOR EACH SUCCEEDING PART PRODUCED. USE 0.13 HIGH CHARACTERS.
EXAMPLE: D000064-A S/N001

REV	DATE	DRAWN BY	CHECKED	DCC	DCN/DESCRIPTION
A	5/9/00	J. Romie			E000240/INITIAL RELEASE



QTY REQD	PART OR IDENTIFYING NO	NOMENCLATURE OR DESCRIPTION	MATERIAL SPECIFICATION	ITEM NO
PARTS LIST				
UNLESS OTHERWISE SPECIFIED DIMENSIONS ARE IN INCHES TOLERANCES ARE: DECIMALS ANGLES		APPROVALS	DATE	CALIFORNIA INSTITUTE OF TECHNOLOGY MASSACHUSETTS INSTITUTE OF TECHNOLOGY
0.XX \pm 0.01 0.XXX \pm 0.005 ANGLES \pm 0.5°		DRAWN J. ROMIE	2/00	TITLE SENSOR/ACTUATOR HEAD, LONG, SMD, MACOR
MATERIAL MACOR		CHECKED		SIZE B
FINISH $\sqrt{.16}$ MIN.				DWG NO. D000064
SCALE		FILENAME /home/dcc/docs/D000064.pdf		REV A
				SHEET 1 OF 1