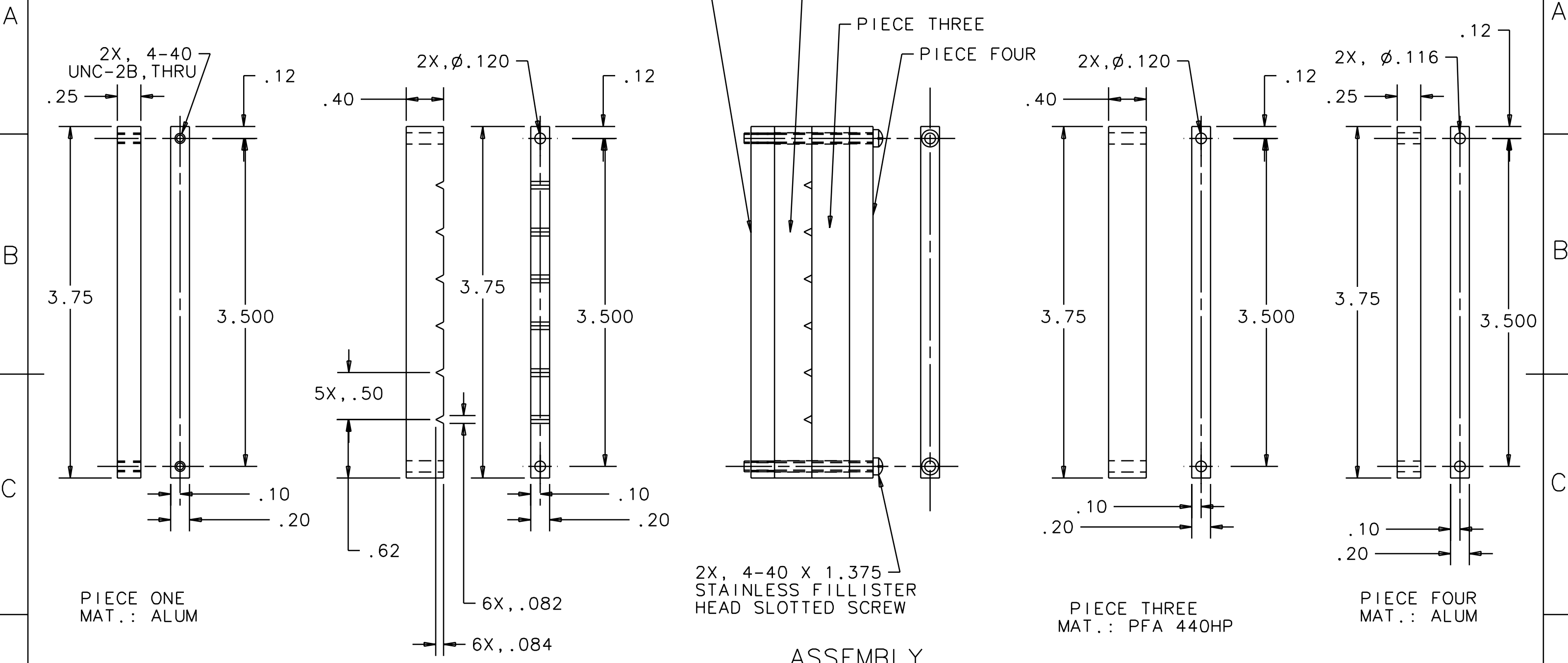


NOTES: UNLESS OTHERWISE SPECIFIED:

- 1. DIMENSIONS IN INCHES.
- 2. BREAK ALL SHARP EDGES.

REV	DATE	DRAWN BY	CHECKED	DCC	DCN/DESCRIPTION
A	1/26/00	J. Romie			E000045/INITIAL RELEASE



QTY REQD	FSCM NO	PART OR IDENTIFYING NO	NOMENCLATURE OR DESCRIPTION	MATERIAL SPECIFICATION	ITEM NO
PARTS LIST					
UNLESS OTHERWISE SPECIFIED DIMENSIONS ARE IN INCHES TOLERANCES ARE: FRACTIONS DECIMALS 0.XX=±0.01 0.XXX=±0.005 ANGLES=±0.5° DO NOT SCALE DRAWING			APPROVALS DRAWN J. Romie CHECKED	DATE 1/00	LIGO CALIFORNIA INSTITUTE OF TECHNOLOGY MASSACHUSETTS INSTITUTE OF TECHNOLOGY TITLE MAGNET-TO-DUMBBELL ASSEMBLY FIXTURE
MATERIAL SEE DETAILS					
FINISH					DWG NO. D000036
SCALE 1/1			FILENAME		REV A
NEXT ASSEMBLY			SHEET		1