

1

2

3

4

NOTES: UNLESS OTHERWISE SPECIFIED
1. BREAK ALL SHARP EDGES.

REV	DATE	DRAWN BY	CHECKED	DCC	DCN/DESCRIPTION
A	1/18/00	J. Romie			E000026/INITIAL RELEASE
B	2/25/00	J. Romie			E000113/CHANGE HEAD,ADD TOL.

A

A

B

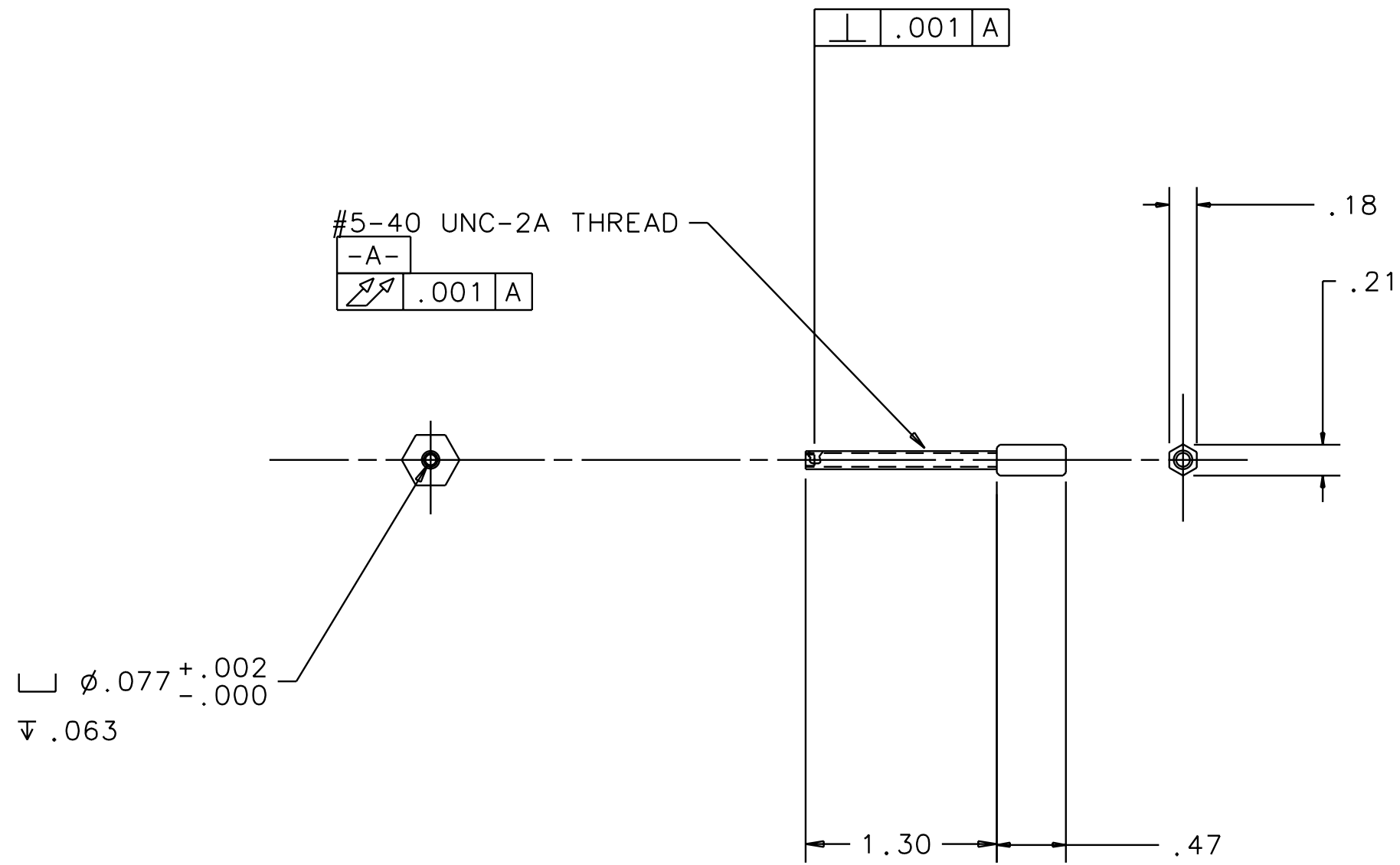
B

C

C

D

D



QTY REQD	FSCM NO	PART OR IDENTIFYING NO	NOMENCLATURE OR DESCRIPTION	MATERIAL SPECIFICATION	ITEM NO
PARTS LIST					
UNLESS OTHERWISE SPECIFIED DIMENSIONS ARE IN INCHES TOLERANCES ARE: FRACTIONS DECIMALS 0.XX±0.01 0.XXX±0.005 ANGLES±0.5° DO NOT SCALE DRAWING			APPROVALS DRAWN J. Romie CHECKED		DATE 1/00
MATERIAL NON-MAGNETIC STAINLESS FINISH			TITLE LIGO CALIFORNIA INSTITUTE OF TECHNOLOGY MASSACHUSETTS INSTITUTE OF TECHNOLOGY PAM SCREW, SOS		REV B
NEXT ASSEMBLY D960001			SCALE 1/2	FILENAME /home/dcc/docs/D000001.pdf	SHEET 1

1

2

3